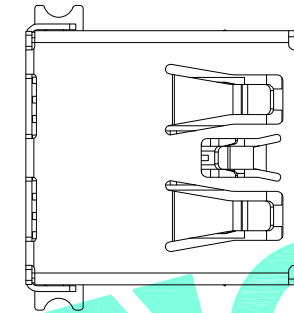
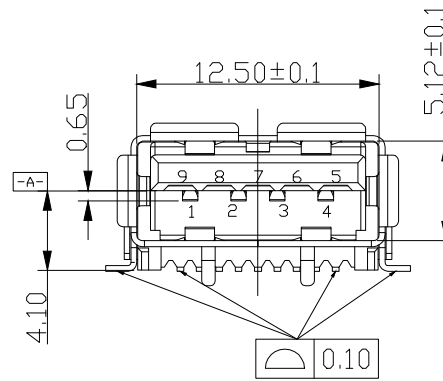
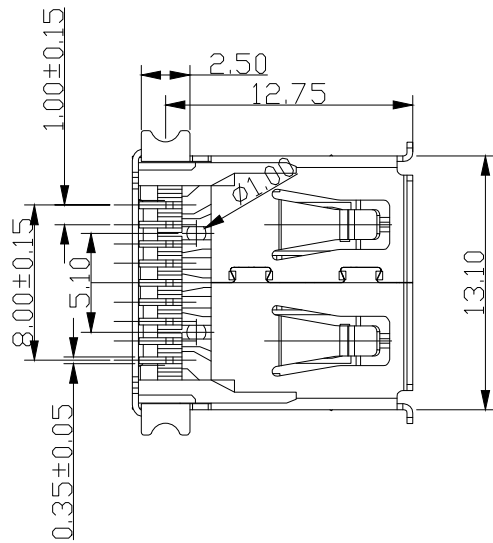


RoHS Compliant

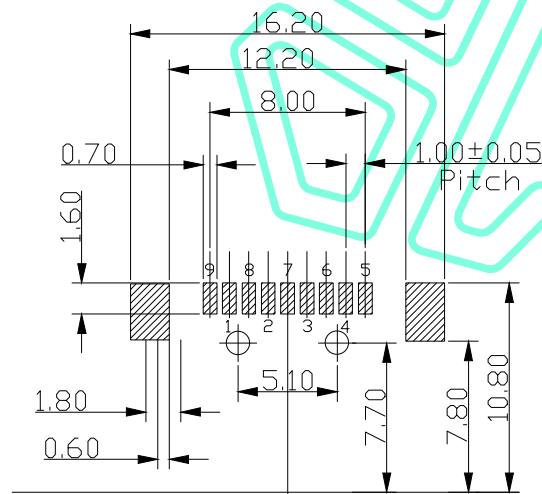
REV. A/0	DESCRIPTION NEW	DESIGN CWF	DATE
----------	-----------------	------------	------



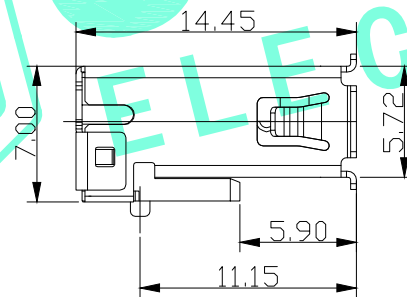
Pin NUMBER	SIGNAL NAME
1	VBUS
2	D-
3	D+
4	GND
5	StdA_SSRX-
6	StdA_SSRX+
7	GND_DRAIN
8	StdA_SSTX-
9	StdA_SSTX+
Shell	Shield

NOTE:

- MATERIAL:
 - INSULATOR: LCP UL 94V-0
 - CONTACT: BRONZE
 - SHELL: BRASS
- ELECTRICAL CHARACTERISTICS:
 - CONTACT RESISTANCE: 30mΩ MAXIMUM
 - CONTACT CURRENT RATING: 1.5A
 - DIELECTRIC WITHSTANDING VOLTAGE: 35 V DC R.M.S.
 - INSULATION RESISTANCE 100 MEGOHMS MIN
 - OPERATING TEMPERATURE: -40°C ~ 85°C
- MECHANICAL CHARACTERISTICS:
 - MATING FORCE: 3.57kgf MAX
 - UNMATED FORCE: 0.82kgf MIN AFTER TEST
 - DURABILITY MANDATORY: 1200 CYCLES
- PLATING:
 - TERMINAL:
 - 50u" MIN NICKEL ALL OVER
 - 80u" MIN Tin ON SOLDER AREA
 - <1~30u" ON CONTACT AREA
 - SHELL: 100u" MIN. NICEL ALL OVER



PCB EDGE
RECOMMENDED PCB LAYOUT



THESE DRAWINGS AND SPECIFICATIONS ARE THE PROPERTY OF SHENZHEN YUCHENG ELECTRONICS, LTD. AND SHALL NOT BE REPRODUCED, COPIED OR USED IN ANY MANNER WITHOUT THE PRIOR WRITTEN CONSENT OF SHENZHEN YUCHENG ELECTRONICS, LTD.



深圳市裕诚电子有限公司
SHENZHEN YUCHENG ELECTRONICS CO.,LTD

APPROVED:	WEI JIE	GENERAL TOLERANCES	TITLE:	USB 3.0AF 全贴片 固定柱1.0卷边
CHECKED:	HONG JIN YUN	30~以上 ±0.30	PART NO:	USB-3QT10
DRAWING:	CHEN YA	10~30 ±0.25	WEBSITE:	www.ycelectron.com
		5~10 ±0.20	REV: A	UNIT: mm SCALE: / SHEET: A4
		~ 5 ±0.15		
		SHEET: 1 / 1		