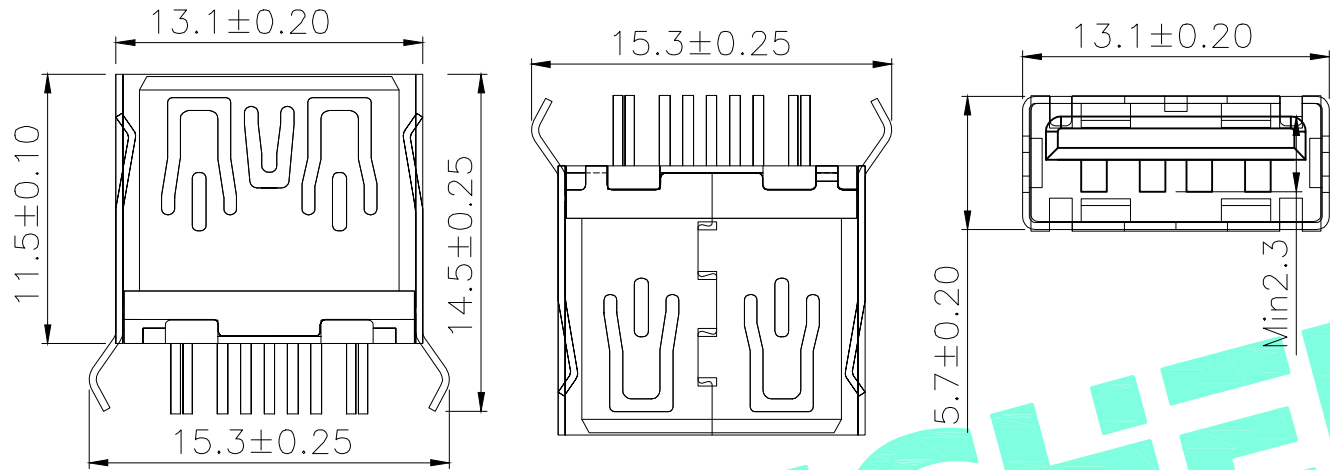


RoHS Compliant

REV. A/0	DESCRIPTION NEW	DESIGN CWF	DATE
----------	-----------------	------------	------



Specifications:

Electrical:

- 1.Current Rating:  
1.5A/contact terminal
- 2.Voltage Rating:  
30V DC
- 3.Contact Resistance:  
30 milliohms MAX
- 4.Dielectric Withstanding Voitage:  
500 V AC AT Sea Level
- 5.Lnsulation Resistance:  
1000MEGA ohms MIN

Mechanical:

- 1.Connector Mate and Unmate Force:  
Mate force:3.57kgf(MAX)  
Unmate force:1.02kgf(MIN)
- 2.Terminal Retention:  
1.0kgf(MIN)

Matorial:

- 1.Housing:  
Hing Temperature Thernmaplastics,

- 2.Contact:H65Copper Alloy C2680
- 3.Shell:H65Copper Alloy C2680/SPCC

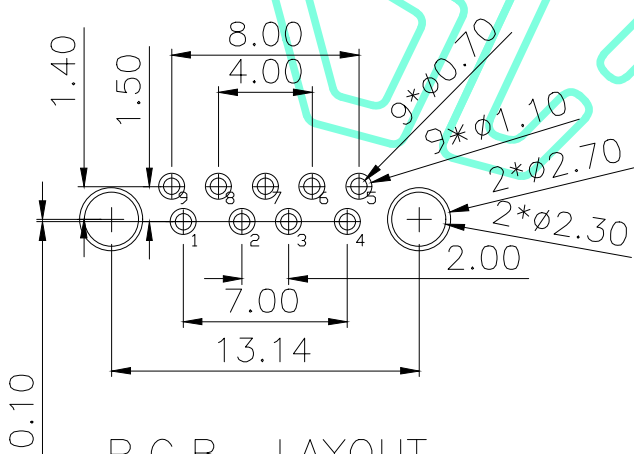
Finish:

- 1.Contact: Plated Gold in Mating Area;  
Tin On Solder Talls

端子四周镀锡30-50U”(MIN),镀金区域镀金1U”

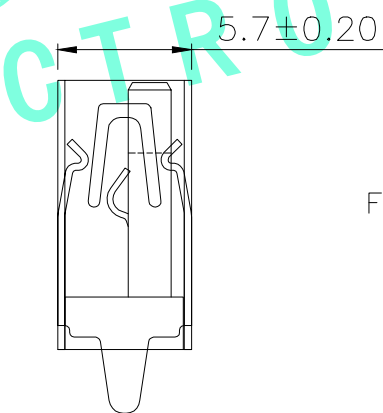
- 2.Shell:  
铁壳四周镀80U”(MIN)镍

Nickel Plating



P.C.B LAYOUT  
TOL:±0.05

PIN NU_BER	SIGNAL NAME
1	USB电压
2	D-(负极)
3	D+(正极)
4	地线
5	SSRX-
6	SSRX+
7	GND(地线)
8	SSTX-
9	SSTX+
shell	SHIELD



THESE DRAWINGS AND SPECIFICATIONS ARE THE PROPERTY OF SHENZHEN YUCHENG ELECTRONICS.LTD.AND SHALL NOT BE REPRODUCED,COPIED OR USED IN ANY MANNER WITHOUT THE PRIOR WRITTEN CONSENT OF SHENZHEN YUCHENG ELECTRONICS.LTD

**UCHENG ELECTRONICS** 深圳市裕诚电子有限公司  
SHENZHEN YUCHENG ELECTRONICS CO.,LTD

APPROVED:	WEI JIE	GENERAL TOLERANCES	TITLE:	USB 3.0AF 180度11.5直边弯脚
CHECKED:	HONG JIN YUN	30~以上 ±0.30	PART NO:	USB-3C15Z
DRAWING:	CHEN YA	10~30 ±0.25	WEBSITE:	www.ycelectron.com
		5~10 ±0.20	REV: A	UNIT: mm
		~ 5 ±0.15	SCALE: /	SHEET: A4
		SHEET: 1 / 1		