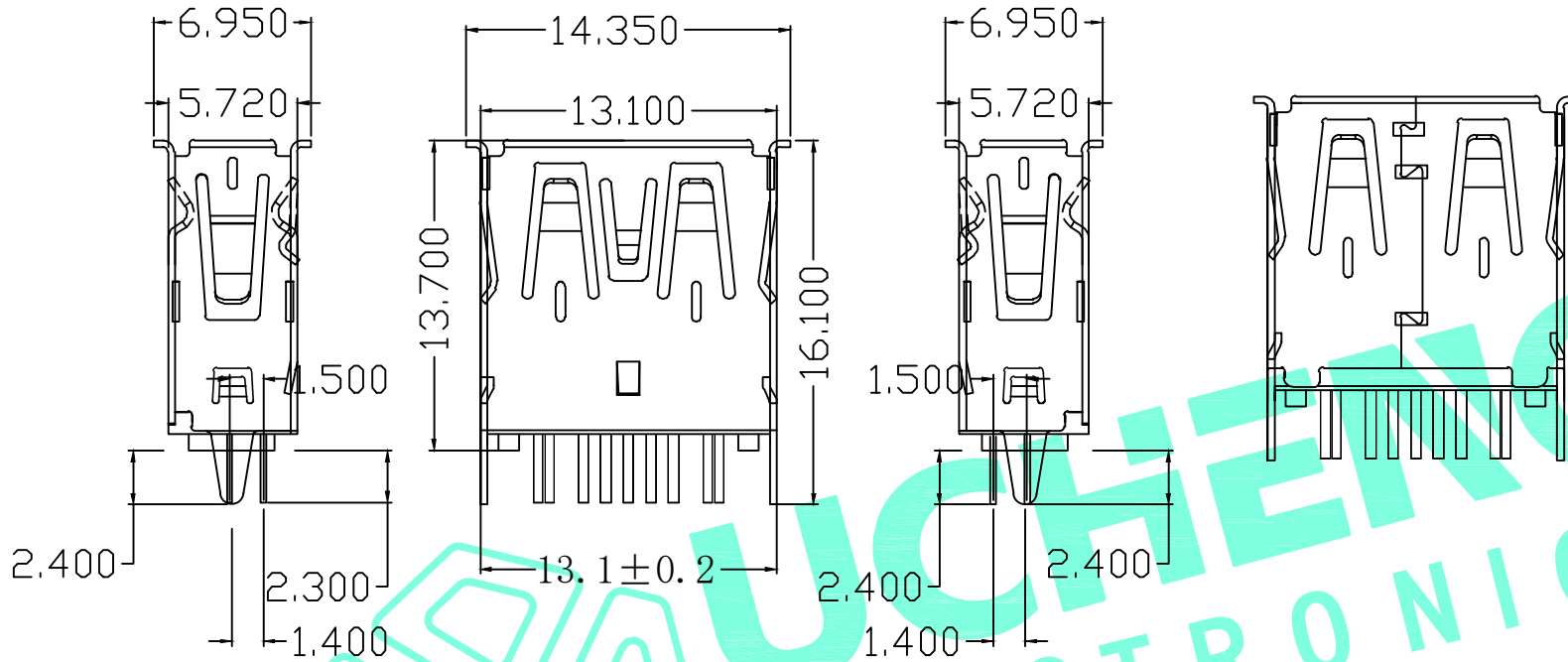


RoHS Compliant

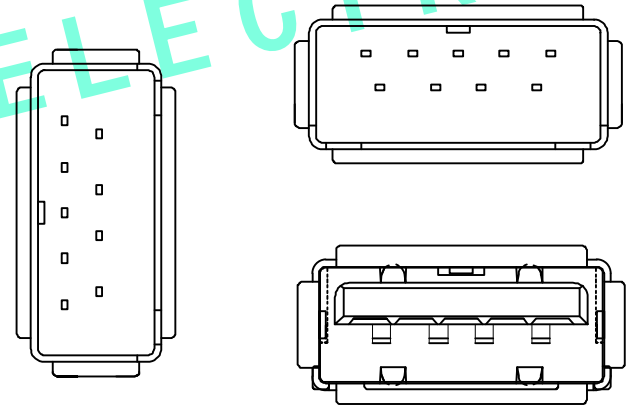
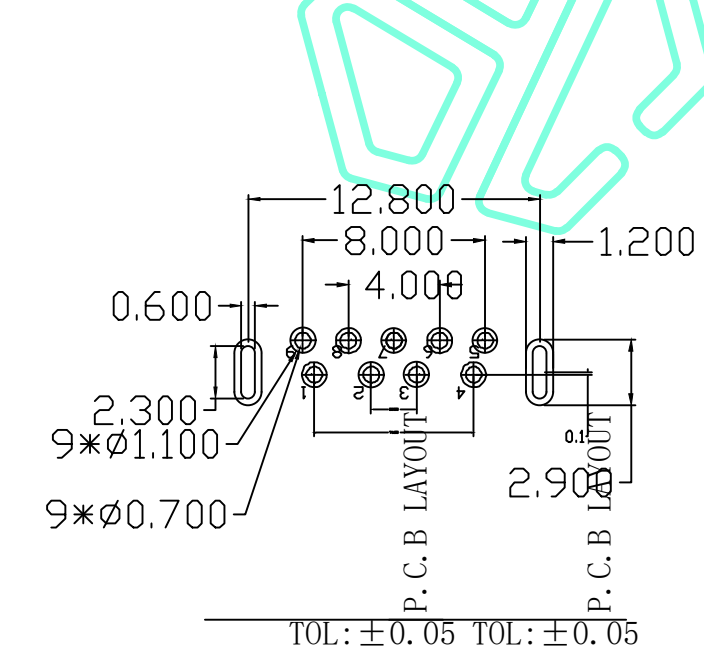
REV.	DESCRIPTION	DESIGN	DATE
A/0	NEW	CWF	



- 1.额定电流: Current Rating
1.5A/contact terminal
 - 2.额定电压: Voltage Rating
30V DC
 - 3.接触电阻: Contact Resistance
30 milliohms MAX
 - 4.耐压: Dielectric Withstanding Voltage:
500 V AC AT Sea Level
 - 5.绝缘电阻: Insulation Resistance:
1000MEGA ohms MIN

 - 1.插拔力: Connector Mate and Unmate Force
Mate force:3.57kgf(MAX)
Unmate force:1.02kgf(MIN)
 - 2.端子保持力: Terminal Retention
1.0kgf(MIN)

 - 1.罩壳: Housing:
Hing Temperature Ternmaplastics,
 - 2.端子: Contact: Copper Alloy C2680
 - 3.外壳: Shell: Copper Alloy C2680/SPCC
- 电镀: Finish:
- 1.端子: Contact: Plated Gold in Mating Area;
Tin On Solder Talls
端子厚度30—50U”(MIN)镀, ”镀金1U”
 - 2.外壳: Shell:
壳体厚度80U”(MIN)镀, 壳体厚度60—80U”(MIN)镀
Nickel Plating



Pin NUMBER	SIGNAL NAME
1	VBUS
2	D-
3	D+
4	GND
5	StdA_SSRX-
6	StdA_SSRX+
7	GND_DRAIN
8	StdA_SSTX-
9	StdA_SSTX+
Shell	Shield

THESE DRAWINGS AND SPECIFICATIONS ARE THE PROPERTY OF SHENZHEN YUCHENG ELECTRONICS, LTD. AND SHALL NOT BE REPRODUCED, COPIED OR USED IN ANY MANNER WITHOUT THE PRIOR WRITTEN CONSENT OF SHENZHEN YUCHENG ELECTRONICS, LTD.



深圳市裕诚电子有限公司
SHENZHEN YUCHENG ELECTRONICS CO.,LTD

APPROVED:	WEI JIE	GENERAL TOLERANCES	TITLE:	USB 3.0AF 180度直插13
CHECKED:	HONG JIN YUN	30~以上 ±0.30	PART NO:	USB-3ZC13
DRAWING:	CHEN YA	10~30 ±0.25	WEBSITE:	www.ycelectron.com
		5~10 ±0.20	REV: A	UNIT: mm SCALE: / SHEET: A4
		~ 5 ±0.15		
		SHEET: 1 / 1		