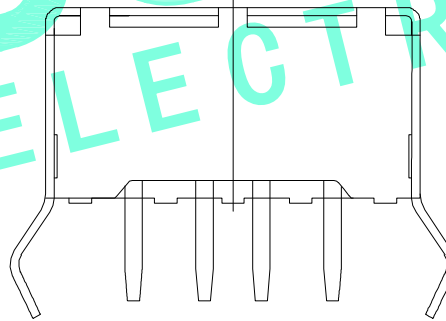
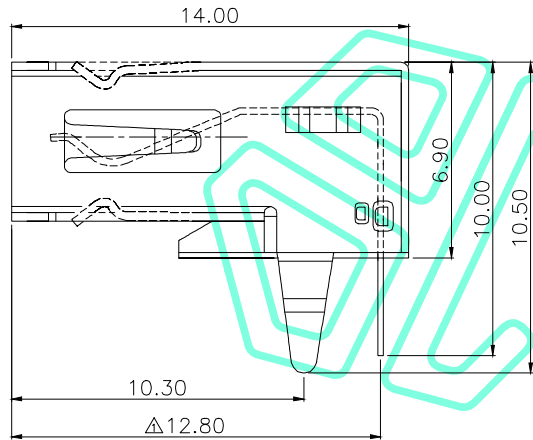
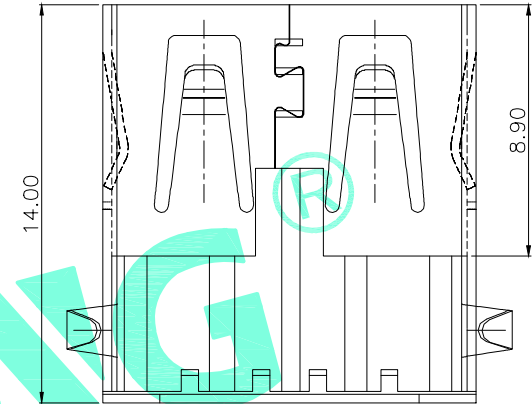
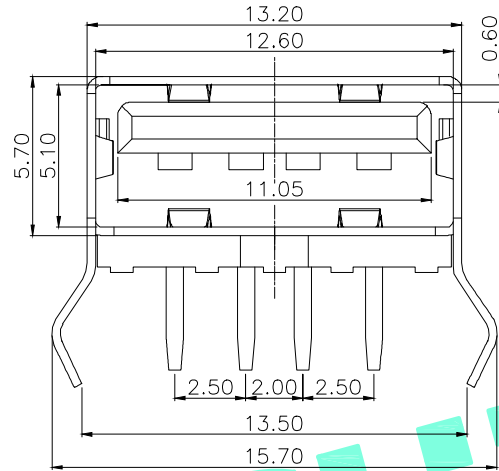
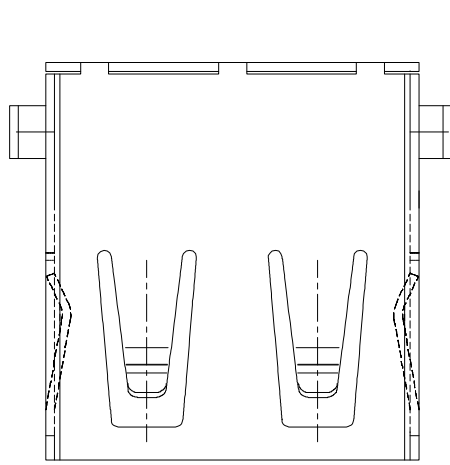


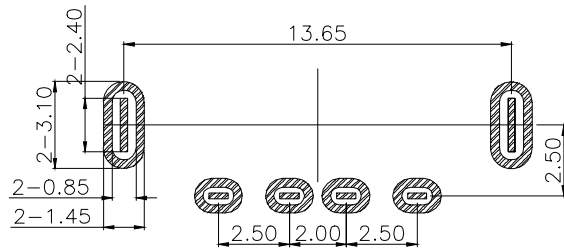
RoHS Compliant

REV. A/0	DESCRIPTION NEW	DESIGN CWF	DATE
-------------	--------------------	---------------	------



Specifications:

- 1.Rating: DC 30V 1.0A
- 2.Mating force: 3.75kgf Max
- 3.Unmating force: 1.02kgf Min
- 4.Lifetime:5000cycles



Recommended PCB Layout

③	Base	1	NYLON	White
②	Terminal	4	Phosphor Bronze	Ag Plated
①	Housing	1	SPCC/Copper	Ni Plated
ITEM	PART NAME	QTY.	MATERIAL	FINISHING

THESE DRAWINGS AND SPECIFICATIONS ARE THE PROPERTY OF SHENZHEN YUCHENG ELECTRONICS,LTD.AND SHALL NOT BE REPRODUCED,COPIED OR USED IN ANY MANNER WITHOUT THE PRIOR WRITTEN CONSENT OF SHENZHEN YUCHENG ELECTRONICS,LTD



深圳市裕诚电子有限公司  
SHENZHEN YUCHENG ELECTRONICS CO.,LTD

APPROVED:	WEI JIE	GENERAL TOLERANCES	TITLE:	USB 2.0AF 90度14.0直边弯脚
CHECKED:	HONG JIN YUN	30~以上 ±0.30	PART NO:	USB-90W14
DRAWING:	CHEN YA	10~30 ±0.25	WEBSITE:	www.ycelectron.com
		5~10 ±0.20	REV: A	UNIT: mm SCALE: / SHEET: A4
		~ 5 ±0.15		
		SHEET: 1 / 1		

