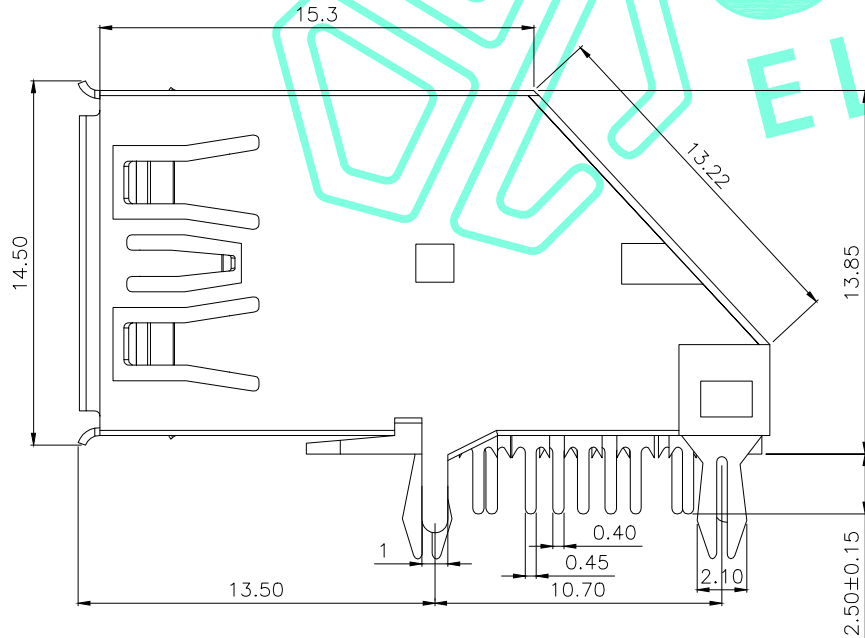
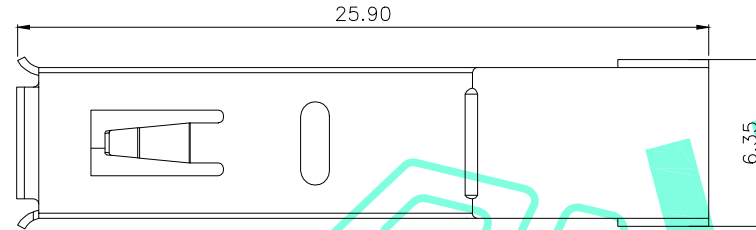
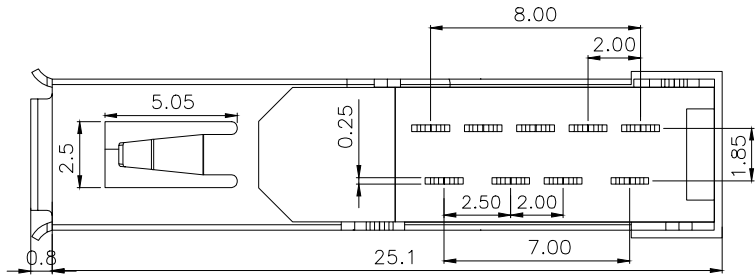


RoHS Compliant

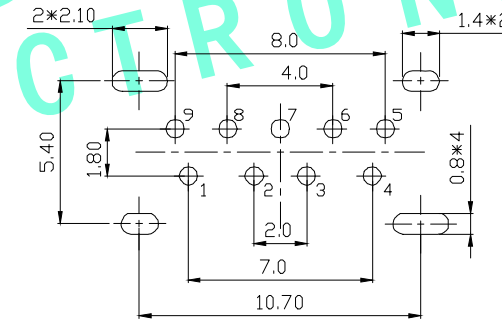
PIN NUMBER	1	2	3	4	5	6	7	8	9	SHELL
SIGNAL NAME	VBUS	D-	D+	GND	SSRX-	SSRX+	GND	SSTX-	SSRT+	SHIELD

REV. A/0	DESCRIPTION NEW	DESIGN CWF	DATE
----------	-----------------	------------	------

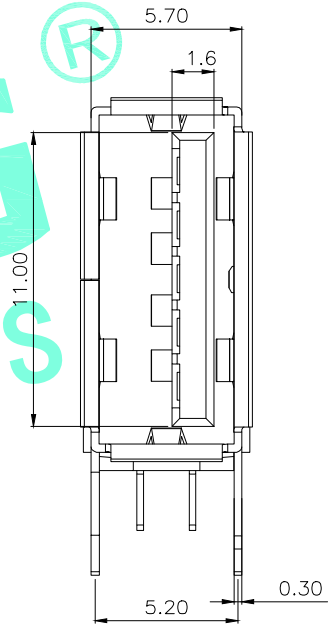


NOTES:

- Specifications
 - 1-1.INSERT FORCE:35N MAX.
 - 1-2.WITHDRAW FORCE:10N
 - MIN.INITIAL 8-20N AFTER
 - 1-3.Current rating:1.0A
 - 1-4.Voltage Rating:30V
 - 1-5.Life Test:10000 CYCLES MIN.
 - 1-6.:Dielectric withstanding:voltage100V AC MIN.
 - 1-7.Contact resistance:30mΩ MAX.INITIAL;40mΩ MAX AFTER
 - 1-8.Insulation resistance:100MΩ MIN.
 - 1-9.Temperature range:-30°TO +80°



RECOMMENDED P.C.B. LAYOUT
TOLERANCE UNSPECIFIED ±0.05mm



THESE DRAWINGS AND SPECIFICATIONS ARE THE PROPERTY OF SHENZHEN YUCHENG ELECTRONICS.,LTD.AND SHALL NOT BE REPRODUCED,COPIED OR USED IN ANY MANNER WITHOUT THE PRIOR WRITTEN CONSENT OF SHENZHEN YUCHENG ELECTRONICS.,LTD



深圳市裕诚电子有限公司
SHENZHEN YUCHENG ELECTRONICS CO.,LTD

APPROVED:	WEI JIE	GENERAL TOLERANCES	TITLE:	USB 3.0AF 侧插长体25.9卷边
CHECKED:	HONG JIN YUN	30~以上 ±0.30	PART NO:	USB-3C259
DRAWING:	CHEN YA	10~30 ±0.25	WEBSITE:	www.ycelectron.com
		5~10 ±0.20	REV: A	UNIT: mm SCALE: / SHEET: A4
		~ 5 ±0.15		
		SHEET: 1 / 1		