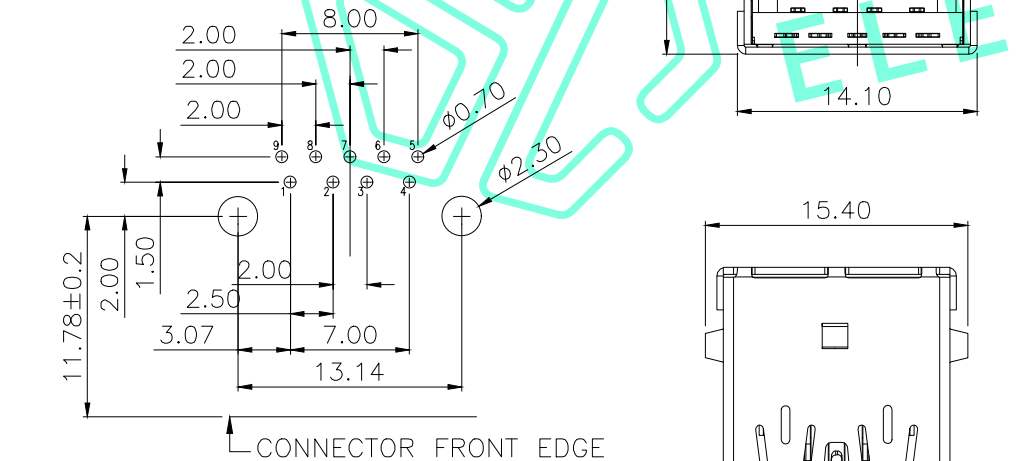
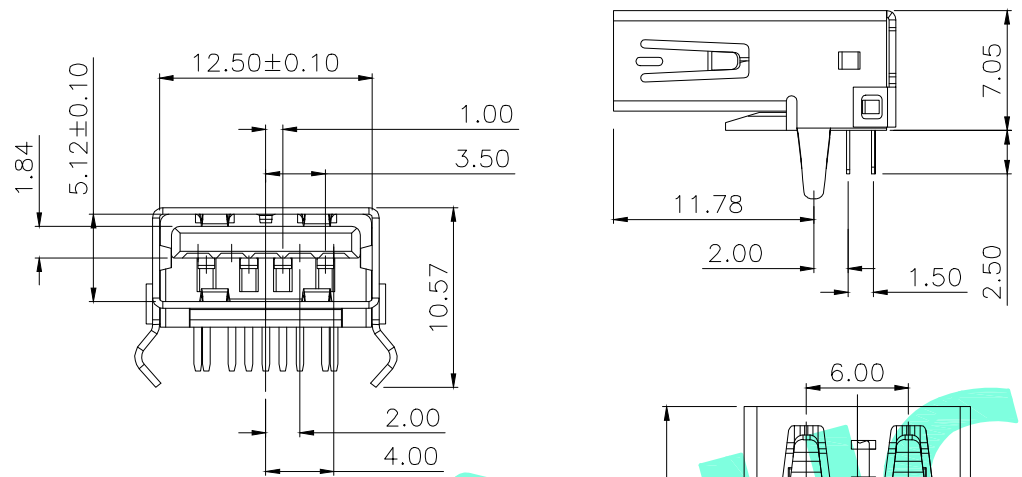


RoHS Compliant

REV. A/0	DESCRIPTION NEW	DESIGN CWF	DATE
----------	-----------------	------------	------



PIN NUMBER	1	2	3	4	5	6	7	8	9	SHELL
SIGNAL NAME	VBUS	D-	D+	GND	SSRX-	SSRX+	GND	SSTX-	SSRT+	SHIELD

NOTES:

1.MECHANICAL:
 MATING: 35N MAX.
 WITHDRAWAL: 10N MIN.
 DURABILITY: 1500 CYCLES

2.ELECTRICAL:
 CURRENT: 1.8A Maximum for pin1 and pin4,
 and 0.25A for all the other pin.
 VOLTAGE: 30 Vac (rms)
 WITHSTANDING VOLTAGE: 100V AC
 CONTACT RESISTANCE:
 30 mΩ (Max) initial for pin1 and pin4.
 50 mΩ (Max) initial for all other contacts.
 Maximum change of +10mΩ after
 environmental stresses.
 Measure at 20 mV (Max) open circuit at
 100 mA.
 DIELECTRIC WITHSTANDING VOLTAGE: 100V AC(RMS)
 INSULATION RESISTANCE: 100MΩ MIN.

3.ENVIRONMENTAL
 TEMPERATURE RANGE -55°C ~ +85°C

THESE DRAWINGS AND SPECIFICATIONS ARE THE PROPERTY OF SHENZHEN YUCHENG ELECTRONICS.LTD AND SHALL NOT BE REPRODUCED,COPIED OR USED IN ANY MANNER WITHOUT THE PRIOR WRITTEN CONSENT OF SHENZHEN YUCHENG ELECTRONICS.LTD

UCHENG® 深圳市裕诚电子有限公司
 ELECTRONICS SHENZHEN YUCHENG ELECTRONICS CO.,LTD

APPROVED:	WEI JIE	GENERAL TOLERANCES	TITLE:	USB 3.0AF 90度16.5直边弯脚			
CHECKED:	HONG JIN YUN	30~以上 ±0.30	PART NO:	USB-3Z165			
DRAWING:	CHEN YA	10~30 ±0.25	WEBSITE:	www.ycelectron.com			
		5~10 ±0.20	REV: A	UNIT: mm	SCALE: /	SHEET: A4	⊕
		~ 5 ±0.15	SHEET: 1 / 1				