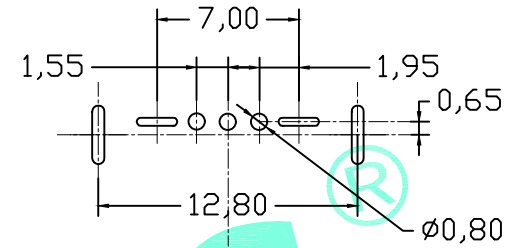
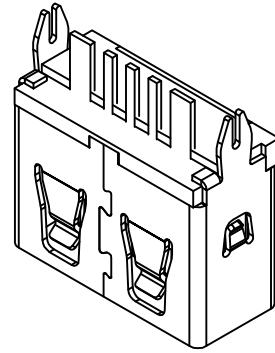
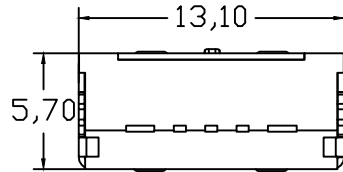
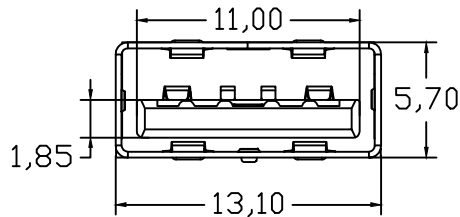
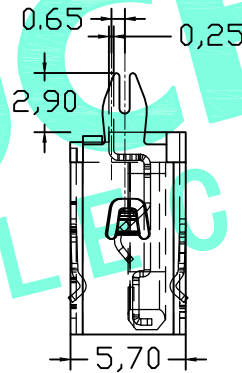
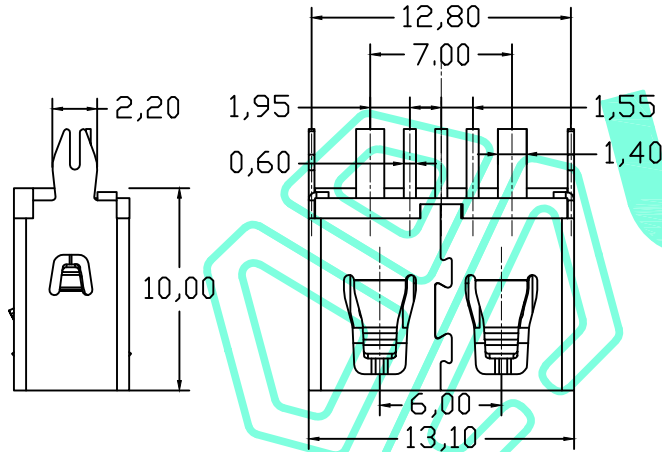


RoHS Compliant

REV. A/0	DESCRIPTION NEW	DESIGN CWF	DATE
-------------	--------------------	---------------	------



RECOMMAND P. C. B LAYOUT
TOLERANCE: ± 0.10



NOTES:

1. MATERIAL SPECIFICATION:

- 1) INSULATION MATERIAL: THERMOPLASTIC HALGENFREE.
- 2) SHELL: SPCC T: 0.30mm
PLATING: NICKEL
- 3) TERMINAL: COPPER ALLOY T: 0.25mm
PLATING: GOLD/TIN PLATED;

2. ELECTRICAL CHARACTERISTIC:

- 1) INSULATION RESISTANCE: 1000M Ω MIN;
- 2) CONTACT RESISTANCE: 30m Ω MAX;
- 3) WITHSTANDING VOLTAGE: 500V AC;

3. MECHANICAL CHARACTERISTICS:

- 1) INSERTION FORCE: 3.57Kgf Max;
- 2) EXTRACTION FORCE: 1.02Kgf Min;

THESE DRAWINGS AND SPECIFICATIONS ARE THE PROPERTY OF SHENZHEN YUCHENG ELECTRONICS, LTD. AND SHALL NOT BE REPRODUCED, COPIED OR USED IN ANY MANNER WITHOUT THE PRIOR WRITTEN CONSENT OF SHENZHEN YUCHENG ELECTRONICS, LTD.



深圳市裕诚电子有限公司
SHENZHEN YUCHENG ELECTRONICS CO.,LTD

APPROVED:	WEI JIE	GENERAL TOLERANCES	30~以上	± 0.30	TITLE:	USB 2.0 AF5P居中直插直边H=10.0 大电流5A			
CHECKED:	HONG JIN YUN		10~30	± 0.25	PART NO:	USB-5P10D			
DRAWING:	CHEN YA		5~10	± 0.20	WEBSITE:	www.ycelectron.com			
			~ 5	± 0.15	REV: A	UNIT: mm	SCALE: /	SHEET: A4	
					SHEET:	1 / 1			