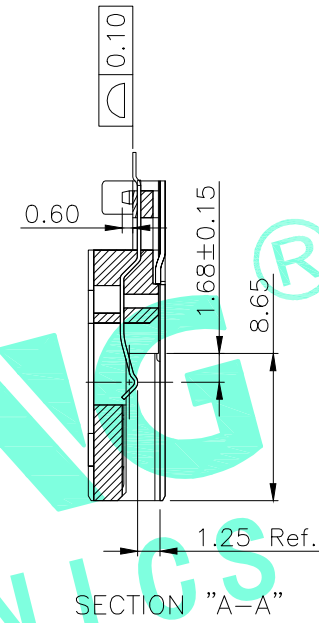
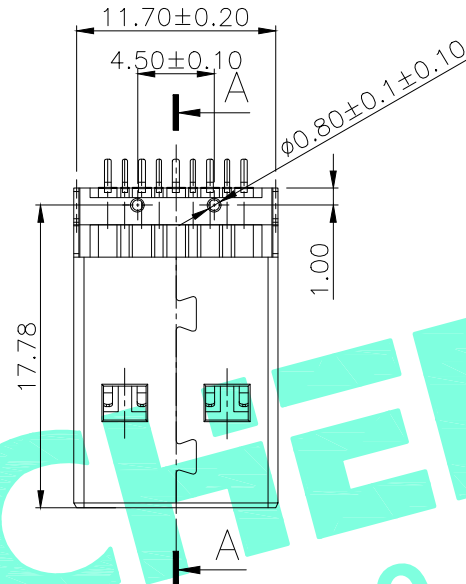
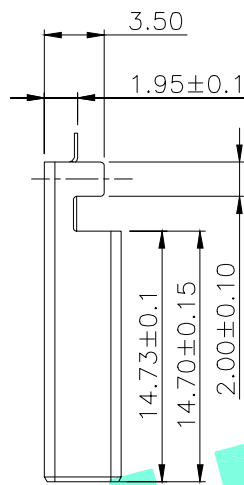
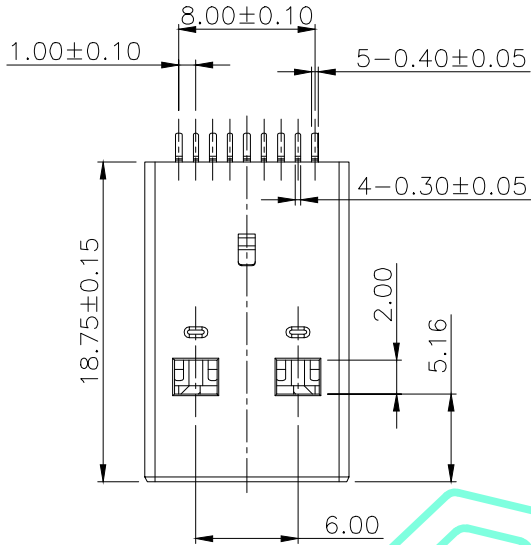


RoHS Compliant

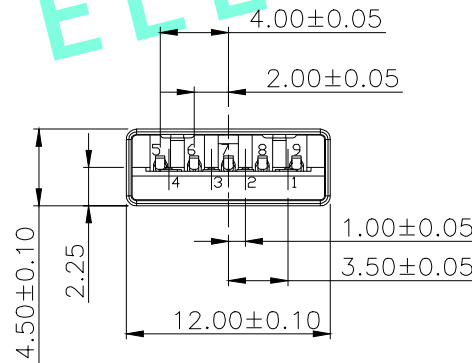
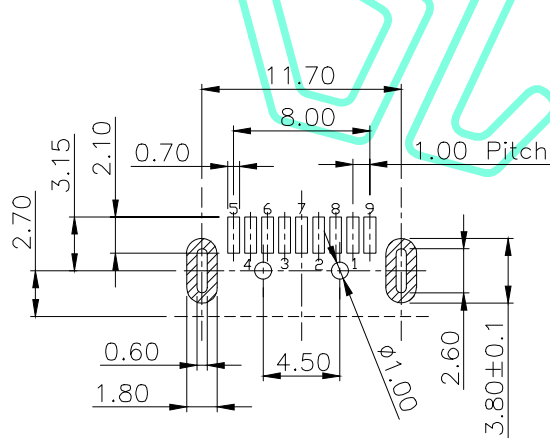
REV.	DESCRIPTION	DESIGN	DATE
A/0	NEW	CWF	



Pin NUMBER	SIGNAL NAME
1	VBUS
2	D-
3	D+
4	GND
5	StdA_SSRX-
6	StdA_SSRX+
7	GND_DRAIN
8	StdA_SSTX-
9	StdA_SSTX+
Shell	Shield

Notes:

- Electrical  
 Voltage : 30VAC(R.M.S)  
 Current Rating : 1.5 Ampere Min.  
 Contact resistance : 30 Milliohms Max.  
 Insulation resistance : 100 Megohms Min.  
 Dielectric withstanding voltage : 500 VAC
- Environmental :  
 -55°C to +105°C



ITEM	PART NAME	QTY.	MATERIAL	FINISHING
③	Shell	1	BRASS	Ni Plated
②	Contact	9	COPPER ALLOY	Au/Sn Plated
①	Housing	1	LCP	Blue

THESE DRAWINGS AND SPECIFICATIONS ARE THE PROPERTY OF SHENZHEN YUCHENG ELECTRONICS,LTD AND SHALL NOT BE REPRODUCED, COPIED OR USED IN ANY MANNER WITHOUT THE PRIOR WRITTEN CONSENT OF SHENZHEN YUCHENG ELECTRONICS,LTD



深圳市裕诚电子有限公司  
SHENZHEN YUCHENG ELECTRONICS CO.,LTD

APPROVED:	WEI JIE
CHECKED:	HONG JIN YUN
DRAWING:	CHEN YA

GENERAL TOLERANCES	
30~以上	±0.30
10~30	±0.25
5~10	±0.20
~ 5	±0.15
SHEET:	1 / 1

TITLE:	USB 3.0 A公沉板贴板18.75		
PART NO:	USB-AC875		
WEBSITE:	www.ycelectron.com		
REV: A	UNIT: mm	SCALE: /	SHEET: A4

