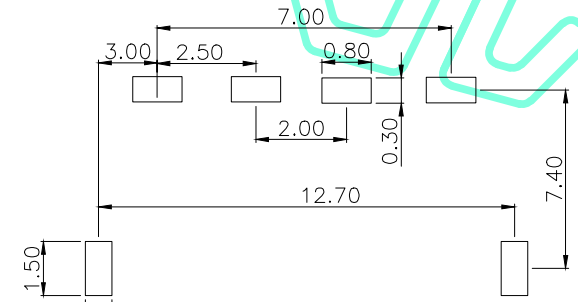
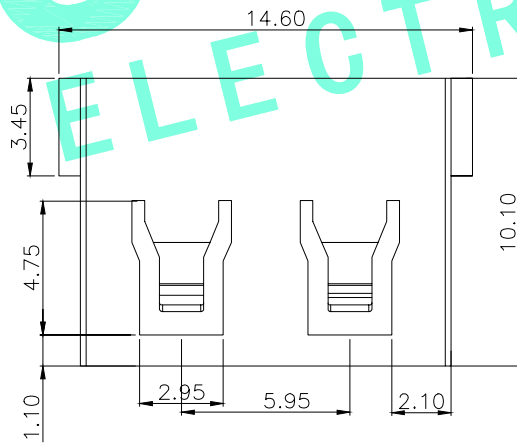
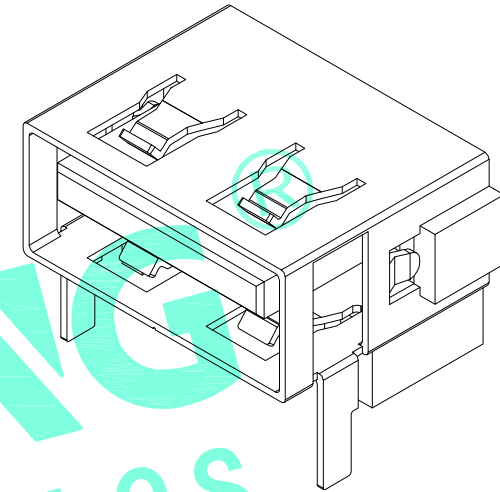
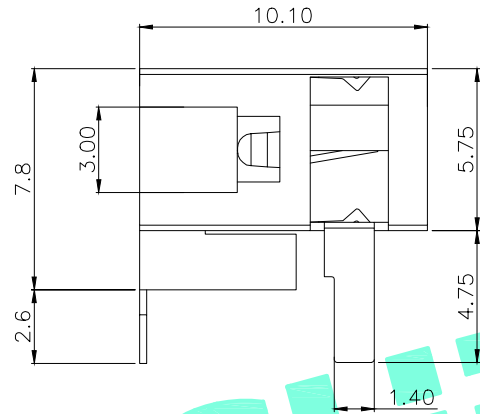
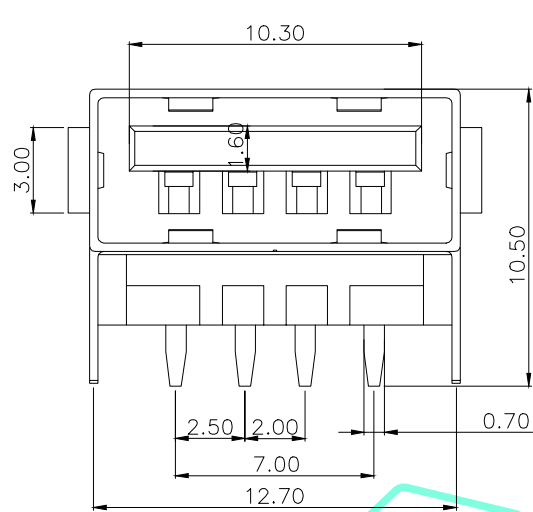


RoHS Compliant

REV. A/0	DESCRIPTION NEW	DESIGN CWF	DATE
-------------	--------------------	---------------	------



RECOMMENDED P.C.B. LAYOUT
TOLERANCE UNSPECIFIED ±0.05mm

NOTES:

- 1.Specifications
 - 1-1.INSERT FORCE:35N MAX.
 - 1-2.WITHDRAW FORCE:10N MIN.INITIAL 8-20N AFTER
 - 1-3.Current rating:1.0A
 - 1-4.Voltage Rating:30V
 - 1-5.Life Test:10000 CYCLES MIN.
 - 1-6.:Dielectric withstanding:voltage100V AC MIN.
 - 1-7.Contact resistance:30mΩ MAX.INITIAL;40mΩ MAX AFTER
 - 1-8.Insulation resistance:100MΩ MIN
 - 1-9.Temperature range:-30°TO +80°

THESE DRAWINGS AND SPECIFICATIONS ARE THE PROPERTY OF SHENZHEN YUCHENG ELECTRONICS.LTD AND SHALL NOT BE REPRODUCED, COPIED OR USED IN ANY MANNER WITHOUT THE PRIOR WRITTEN CONSENT OF SHENZHEN YUCHENG ELECTRONICS.LTD

UCHENG ELECTRONICS 深圳市裕诚电子有限公司
SHENZHEN YUCHENG ELECTRONICS CO.,LTD

APPROVED:	WEI JIE	GENERAL TOLERANCES	TITLE:	USB 2.0AF 垫高7.8短体10.0 直边		
CHECKED:	HONG JIN YUN	30~以上 ±0.30	PART NO:	USB-78D10		
DRAWING:	CHEN YA	10~30 ±0.25	WEBSITE:	www.ycelectron.com		
		5~10 ±0.20	REV: A	UNIT: mm	SCALE: /	SHEET: A4
		~ 5 ±0.15				
		SHEET: 1 / 1				

