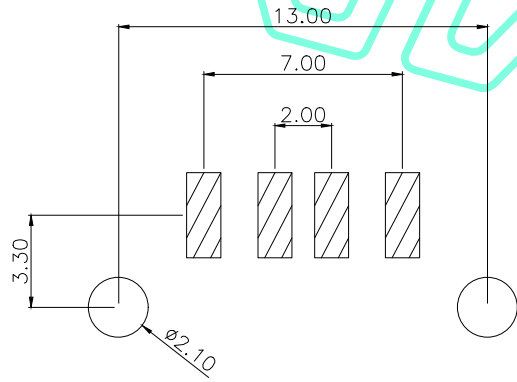
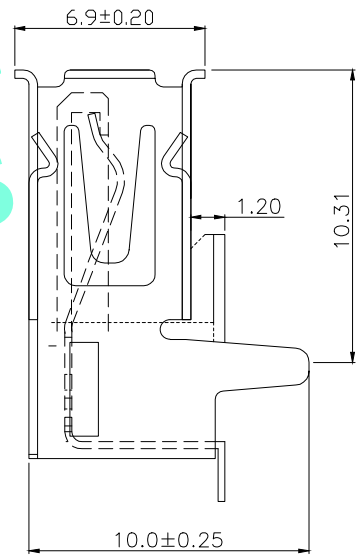
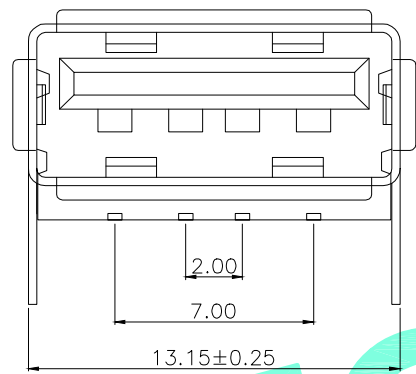
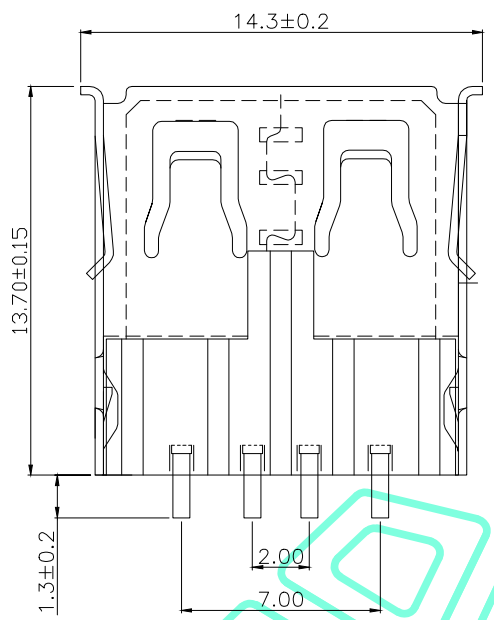


RoHS Compliant

REV. A/0	DESCRIPTION NEW	DESIGN CWF	DATE
----------	-----------------	------------	------



Recommended PCB Layout

规格说明: Specifications:

电气特性: Electrical:

1. 额定电流: Current Rating
1.5A/contact terminal
2. 额定电压: Voltage Rating
30V DC
3. 接触阻抗: Contact Resistance
30 milliohms MAX
4. 耐电压: Dielectric Withstanding Voltage:
500 V AC AT Sea Level
5. 绝缘阻抗: Insulation Resistance:
1000MEGA ohms MIN

物理性能: Mechanical:

1. 插拔力: Connector Mate and Unmate Force
Mate force: 3.57kgf (MAX)
Unmate force: 1.02kgf (MIN)
2. 端子保持力: Terminal Retention
1.0kgf (MIN)

③	Base	1	PBT	White
②	Terminal	4	Copper	Sn Plated
①	Housing	1	SPCC	Ni Plated
ITEM	PART NAME	QTY.	MATERIAL	FINISHING

THESE DRAWINGS AND SPECIFICATIONS ARE THE PROPERTY OF SHENZHEN YUCHENG ELECTRONICS, LTD. AND SHALL NOT BE REPRODUCED, COPIED OR USED IN ANY MANNER WITHOUT THE PRIOR WRITTEN CONSENT OF SHENZHEN YUCHENG ELECTRONICS, LTD.

APPROVED: WEI JIE
CHECKED: HONG JIN YUN
DRAWING: CHEN YA



深圳市裕诚电子有限公司
SHENZHEN YUCHENG ELECTRONICS CO., LTD

GENERAL TOLERANCES		TITLE:	USB 2.0AF 90度13.7卷边 直脚		
30~以上	±0.30	PART NO:	USB-9C137		
10~30	±0.25	WEBSITE:	www.ycelectron.com		
5~10	±0.20	REV: A	UNIT: mm	SCALE: /	SHEET: A4
~ 5	±0.15				
SHEET: 1 / 1					

