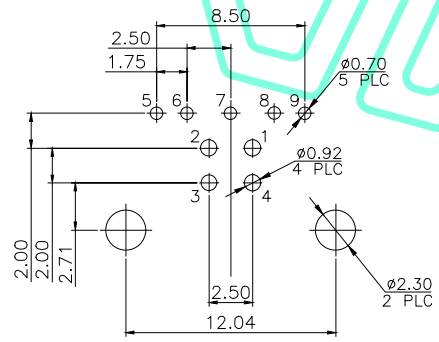
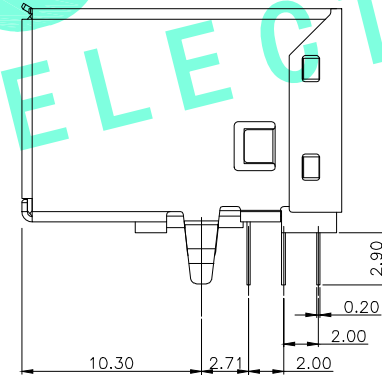
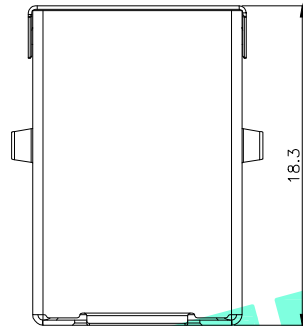
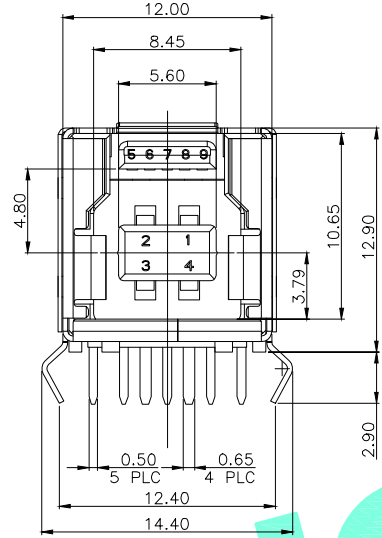
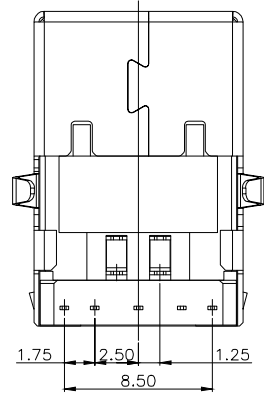


RoHS Compliant

REV. A/0	DESCRIPTION NEW	DESIGN CWF	DATE
----------	-----------------	------------	------

Pin NUMBER	SIGNAL NAME
1	VBUS
2	D-
3	D+
4	GND
5	StdB_SSTX-
6	StdB_SSTX+
7	GND_DRAIN
8	StdB_SSRX-
9	StdB_SSRX+
Shell	Shield



SPECIFICATIONS:  
 Contact current Rating:  
 1.8 Amperes for pin1&pin4.  
 0.25 Amperes other contacts.  
 Dielectric Withstanding Voltage:AC 100V(RMS)  
 Insulation resistance:100Megohms Minimum.  
 Contact Resistance:  
 30mΩ Max for pin1&pin4  
 50mΩ Max for other contacts.  
 Mechanical Characteristics:  
 Mating Force:35 Newtons.Maximum  
 Unmating Force:10 Newtons.Mlimum.  
 8N Min After Durability.  
 operating Temperature:-55° to +85°.

ITEM	PART NAME	QTY.	MATERIAL	FINISHING
③	Shell	1	Copper Alloy	Ni Plated
②	Contact	9	Copper Alloy	Au/Tin Plated
①	Housing	1	LCP	Blue

RECOMMEND P.C.B LAYOUT COMPONENT SIDE  
 DEFAUET TOLERANCES:±0.05 (PCB T=1.6mm)

THESE DRAWINGS AND SPECIFICATIONS ARE THE PROPERTY OF SHENZHEN YUCHENG ELECTRONICS.LTD.AND SHALL NOT BE REPRODUCED.COPIED OR USED IN ANY MANNER WITHOUT THE PRIOR WRITTEN CONSENT OF SHENZHEN YUCHENG ELECTRONICS.LTD

APPROVED: WEI JIE  
 CHECKED: HONG JIN YUN  
 DRAWING: CHEN YA

**UCHENG ELECTRONICS** 深圳市裕诚电子有限公司  
 SHENZHEN YUCHENG ELECTRONICS CO.,LTD

GENERAL TOLERANCES	TITLE: USB 3.0 BF 90度 打印机插板式接口
30~以上 ±0.30	PART NO: USB-3BF90
10~30 ±0.25	
5~10 ±0.20	WEBSITE: www.ycelectron.com
~ 5 ±0.15	
SHEET: 1 / 1	REV: A UNIT: mm SCALE: / SHEET: A4