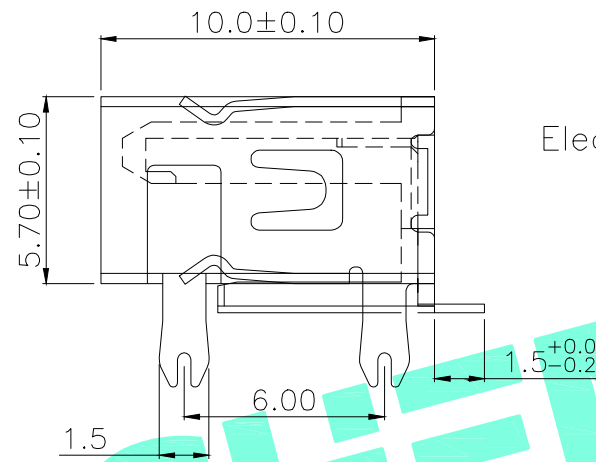
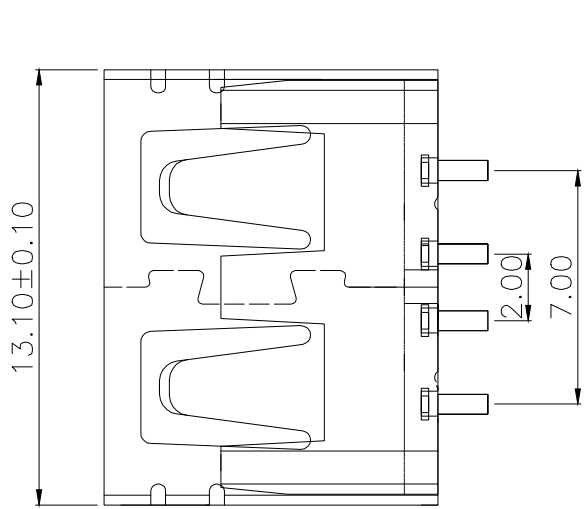


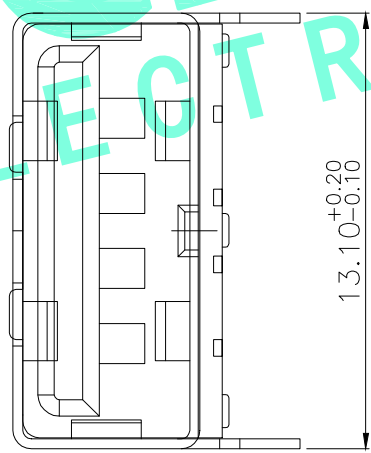
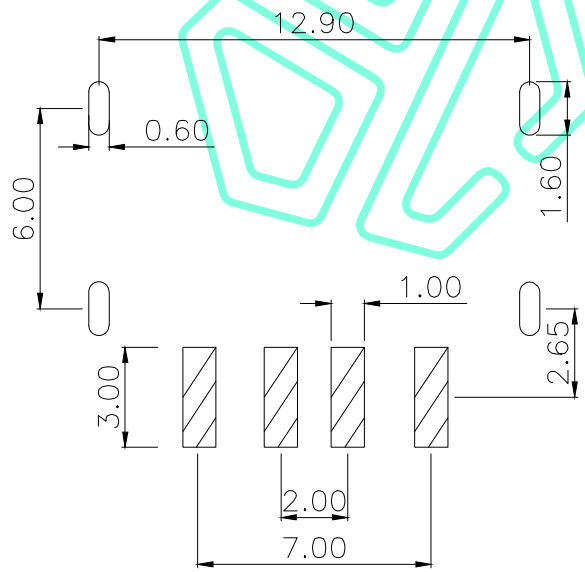
RoHS Compliant

REV. A/0	DESCRIPTION NEW	DESIGN CWF	DATE
-------------	--------------------	---------------	------



- Electrical:
- 1.Current Rating  
1.5A/contact terminal
  - 2.Voltage Rating  
30V DC
  - 3.Contact Resistance  
30 milliohms MAX
  - 4.Dielectnc Withstanding Voltage:  
500 V AC AT Sea Level
  - 5.Insulation Resistance:  
1000MEGA ohms MIN

- Mechanical:
- 1.Connector Mate and Unmate Force  
Mate force:3.57kgf(MAX)  
Unmate force:1.02kgf(MIN)
  - 2.Terminal Retention  
1.0kgf(MIN)



③	Base	1	PA	White/black
②	Terminal	4	Phosphor Bronze	Sn Plated
①	Housing	1	C2680/SPCC	Ni Plated
ITEM	PART NAME	QTY.	MATERIAL	FINISHING

THESE DRAWINGS AND SPECIFICATIONS ARE THE PROPERTY OF SHENZHEN YUCHENG ELECTRONICS.LTD.AND SHALL NOT BE REPRODUCED,COPIED OR USED IN ANY MANNER WITHOUT THE PRIOR WRITTEN CONSENT OF SHENZHEN YUCHENG ELECTRONICS.LTD

APPROVED: WEI JIE  
 CHECKED: HONG JIN YUN  
 DRAWING: CHEN YA

**UCHENG** 深圳市裕诚电子有限公司  
 ELECTRONICS SHENZHEN YUCHENG ELECTRONICS CO.,LTD

GENERAL TOLERANCES	TITLE:	USB 2.0AF 90度四脚直边贴板		
30~以上 ±0.30	PART NO:	USB-4JT10		
10~30 ±0.25	WEBSITE:	www.ycelectron.com		
5~10 ±0.20	REV: A	UNIT: mm	SCALE: /	SHEET: A4
~ 5 ±0.15				
SHEET: 1 / 1				

RECOMMENDED P.C.B. LAYOUT