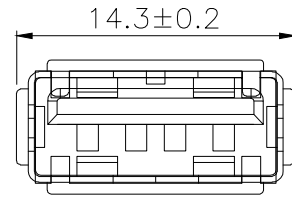
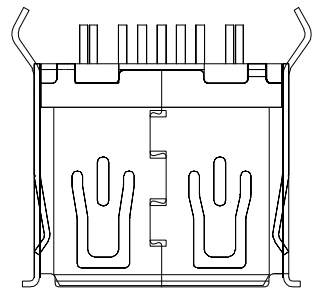
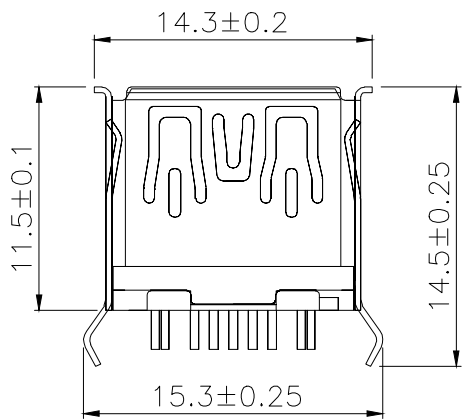


RoHS Compliant

REV. A/0	DESCRIPTION NEW	DESIGN CWF	DATE
----------	-----------------	------------	------



Specifications:
 Electrical:
 1.Current Rating:
 1.5A/contact terminal
 2.Voltage Rating:
 30V DC
 3.Contact Resistance:
 30 milliohms MAX
 4.Dielectric Withstanding Voitage:
 500 V AC AT Sea Level
 5.Insulation Resistance:
 1000MEGA ohms MIN

Mechanical:
 1.Connector Mate and Unmate Force:
 Mate force:3.57kgf(MAX)
 Unmate force:1.02kgf(MIN)
 2.Terminal Retention:
 1.0kgf(MIN)

Material:
 1.Housing:
 Hing Temperature Thermoplastics,

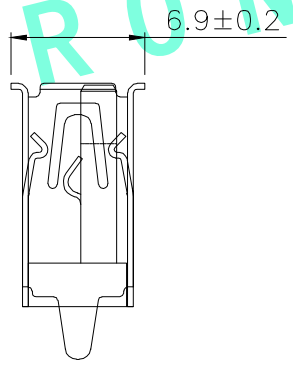
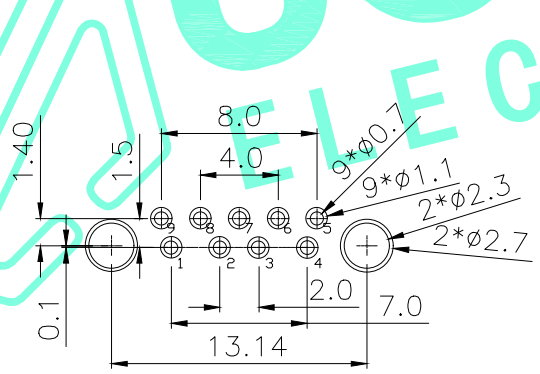
2.Contact:H65 Copper Alloy C2680
 3.Shell:H65 Copper Alloy C2680/SPCC

Finish:
 1.Contact: Piated Gold in Mating Area;
 Tin On Solder Talls

端子四周镀锡30-50U”(MIN),镀金区域镀金1U”

2.Shell:
 铁壳四周镀80U”(MIN)镍
 Nickel Plating

Pin NUMBER	SIGNAL NAME
1	VBUS
2	D-
3	D+
4	GND
5	StdA_SSRX-
6	StdA_SSRX+
7	GND_DRAIN
8	StdA_SSTX-
9	StdA_SSTX+
Shell	Shield



THESE DRAWINGS AND SPECIFICATIONS ARE THE PROPERTY OF SHENZHEN YUCHENG ELECTRONICS.LTD.AND SHALL NOT BE REPRODUCED,COPIED OR USED IN ANY MANNER WITHOUT THE PRIOR WRITTEN CONSENT OF SHENZHEN YUCHENG ELECTRONICS.LTD

UCHENG ELECTRONICS 深圳市裕诚电子有限公司
 SHENZHEN YUCHENG ELECTRONICS CO.,LTD

APPROVED:	WEI JIE	GENERAL TOLERANCES	TITLE:	USB 3.0AF 180度11.5卷边弯脚
CHECKED:	HONG JIN YUN	30~以上 ±0.30	PART NO:	USB-3C15J
DRAWING:	CHEN YA	10~30 ±0.25	WEBSITE :	www.ycelectron.com
		5~10 ±0.20	REV: A	UNIT: mm SCALE: / SHEET: A4
		~ 5 ±0.15		
		SHEET: 1 / 1		