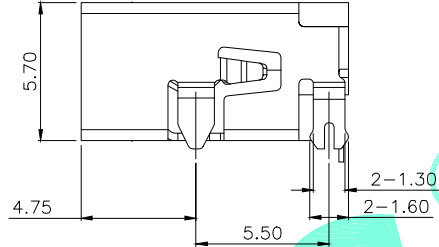
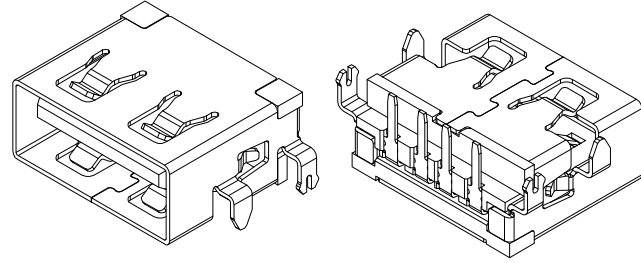
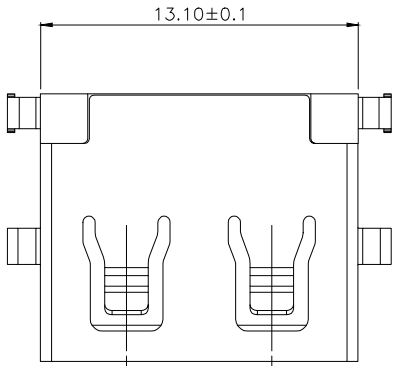
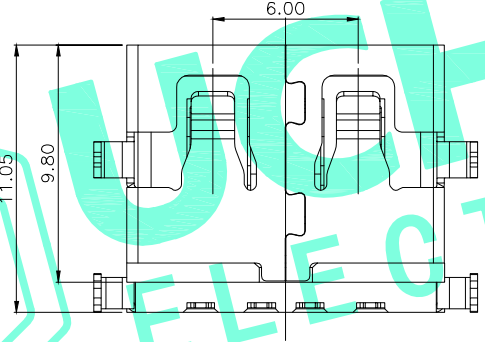
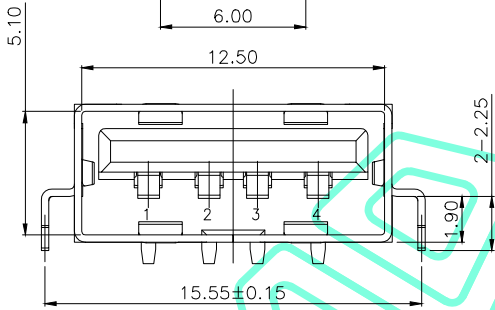


RoHS Compliant

REV.	DESCRIPTION	DESIGN	DATE
A/0	NEW	CFW	

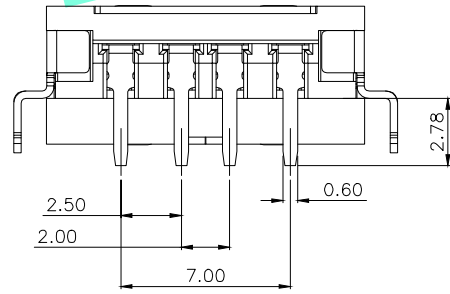
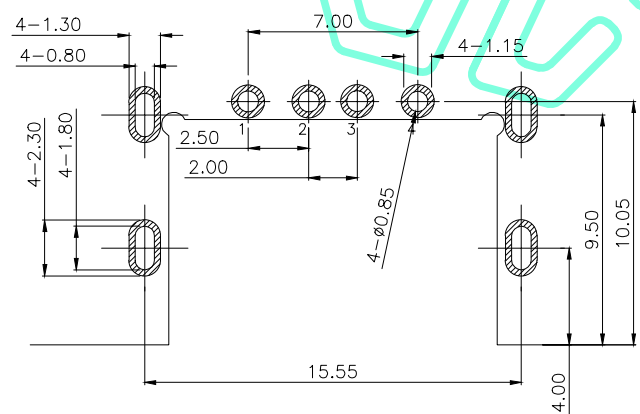


Pin Number	Signal Name
1	VBUS
2	D-
3	D+
4	GND



NOTES:

- MATERIAL**
CONTACTS: COPPER ALLOY (T=0.20mm)
SHELL: SPCC (T=0.30mm)
HOUSING: HIGH TEMPERATURE RESISTANT PLASTIC,UL94 V-0.
- ELECTRICAL PERFORMANCE**
CONTACT RESISTANCE:30MΩ MAX
CONTACT CURRENT RATING:1.5 AMPERES
DIELECTRIC WITHSTAND VOLTAGE,500V R.M.S
INSULATION RESISTANCE: 100MΩ MIN
OPERATING TEMPERATURE: -40°C~+85°C.
- MECHANICAL PERFORMANCE**
INSERTION FORCE: 3.5kgf Max
REMOVAL FORCE: 1.02kgf Min
DURABILITY: 5000 CYCLES.
- PLATING SPECIFICATION**
CONTACTS: GOLD PLATED ON CONTACT AREA,Sn ON SOLDER AREA,
NICKEL UNDERPLATED.
SHELL: 80u"MIN BRIGHT NICKEL PLATING OVER ALL,
NICKEL MUST BE SOLDRABILITY.
HOUSING:HIGH TEMPERATURE RESISTANT PLASTIC,UL94 V-0 .



RECOMMEND P.C.B LAYOUT(COMPONENT SIDE)
TOLERANCE FOR PCB LAYOUT IS ± 0.05

THESE DRAWINGS AND SPECIFICATIONS ARE THE PROPERTY OF SHENZHEN YUCHENG ELECTRONICS.LTD AND SHALL NOT BE REPRODUCED,COPIED OR USED IN ANY MANNER WITHOUT THE PRIOR WRITTEN CONSENT OF SHENZHEN YUCHENG ELECTRONICS.LTD



深圳市裕诚电子有限公司
SHENZHEN YUCHENG ELECTRONICS CO.,LTD

APPROVED:	WEI JIE	GENERAL TOLERANCES	TITLE:	USB 2.0AF 短体沉板1.9插件直边
CHECKED:	HONG JIN YUN	30~以上 ±0.30	PART NO:	USB-19C11
DRAWING:	CHEN YA	10~30 ±0.25	WEBSITE:	www.ycelectron.com
		5~10 ±0.20	REV: A	UNIT: mm SCALE: / SHEET: A4
		~ 5 ±0.15		
		SHEET: 1 / 1		

