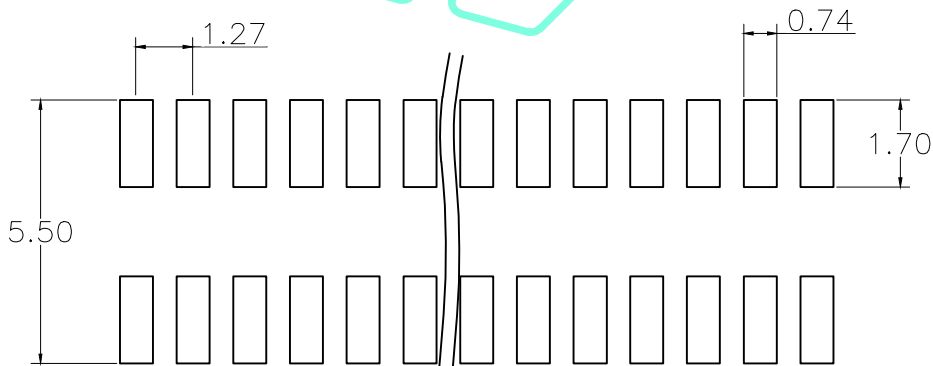
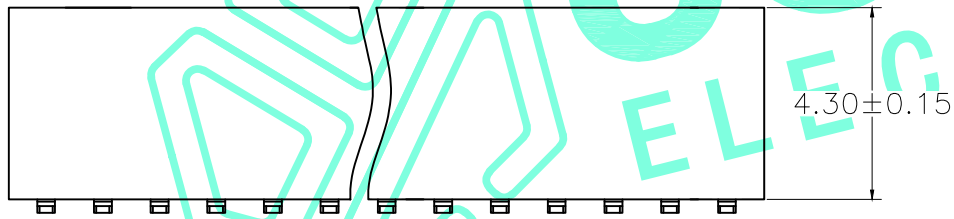
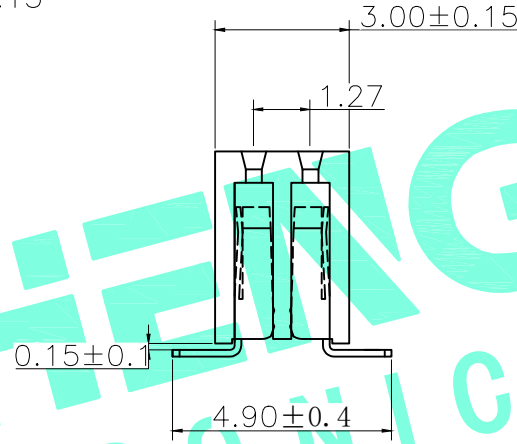
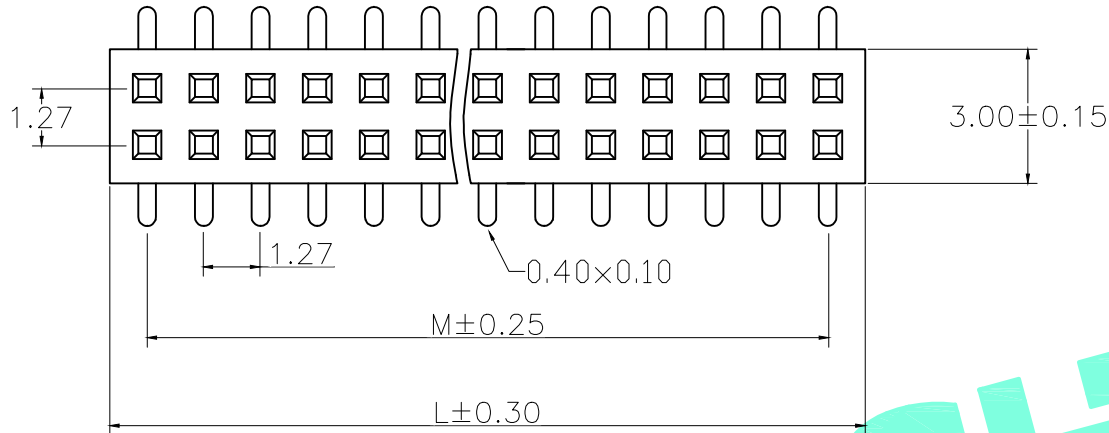


RoHS Compliant

| | | | |
|----------|-----------------|------------|------|
| REV. A/0 | DESCRIPTION NEW | DESIGN CWF | DATE |
|----------|-----------------|------------|------|



Recommended P.C.B Hloe Layout

| No. of PIN/ROW | Dimension Information | | |
|----------------|-----------------------|-------|-------|
| | M | L | N |
| 02 | 1.27 | 2.78 | |
| 03 | 2.54 | 4.05 | 1.27 |
| 04 | 3.81 | 5.32 | 2.54 |
| 05 | 5.08 | 6.59 | 3.81 |
| 06 | 6.35 | 7.86 | 5.08 |
| 07 | 7.62 | 9.13 | 6.35 |
| 08 | 8.89 | 10.40 | 7.62 |
| 09 | 10.16 | 11.67 | 8.89 |
| 10 | 11.43 | 12.94 | 10.16 |
| 11 | 12.70 | 14.21 | 11.43 |
| 12 | 13.97 | 15.48 | 12.70 |
| 13 | 15.24 | 16.75 | 13.97 |
| 14 | 16.51 | 18.02 | 15.24 |
| 15 | 17.78 | 19.29 | 16.51 |
| 16 | 19.05 | 20.56 | 17.78 |
| 17 | 20.32 | 21.83 | 19.05 |
| 18 | 21.59 | 23.10 | 20.32 |
| 19 | 22.86 | 24.37 | 21.59 |
| 20 | 24.13 | 25.64 | 22.86 |
| 21 | 25.40 | 26.91 | 24.13 |
| 22 | 26.67 | 28.18 | 25.40 |
| 23 | 27.94 | 29.45 | 26.67 |
| 24 | 29.21 | 30.72 | 27.94 |
| 25 | 30.48 | 31.99 | 29.21 |
| 26 | 31.75 | 33.26 | 30.48 |
| 27 | 33.02 | 34.53 | 31.75 |
| 28 | 34.29 | 35.80 | 33.02 |
| 29 | 35.56 | 37.07 | 34.29 |
| 30 | 36.83 | 38.34 | 35.56 |
| 31 | 38.10 | 39.61 | 36.83 |
| 32 | 39.37 | 40.88 | 38.10 |
| 33 | 40.64 | 42.15 | 39.37 |
| 34 | 41.91 | 43.42 | 40.64 |
| 35 | 43.18 | 44.69 | 41.91 |
| 36 | 44.45 | 45.96 | 43.18 |
| 37 | 45.72 | 47.23 | 44.45 |
| 38 | 46.99 | 48.50 | 45.72 |
| 39 | 48.26 | 49.77 | 46.99 |
| 40 | 49.53 | 51.04 | 48.26 |

SPECIFICATIONS

- 1. Current Rate :0.75AMP
- 2. Operation Temperature :-40° C to+105° C
- 3. Contact Resistance :20m ΩMax.
- 4. Insulation Resistance :1000M Ω Min.
- 5. Withstanding Voltage :AC 500v
- 6. Insulator Material :Polyester (UL94V-0)
Standard:Nylon-PA6T
- 7. Contact Material :Brass
- 8. Contact plating :Au or Sn over Ni

THESE DRAWINGS AND SPECIFICATIONS ARE THE PROPERTY OF SHENZHEN YUCHENG ELECTRONICS.,LTD AND SHALL NOT BE REPRODUCED, COPIED OR USED IN ANY MANNER WITHOUT THE PRIOR WRITTEN CONSENT OF SHENZHEN YUCHENG ELECTRONICS.,LTD



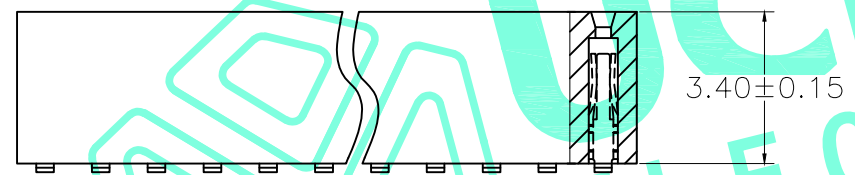
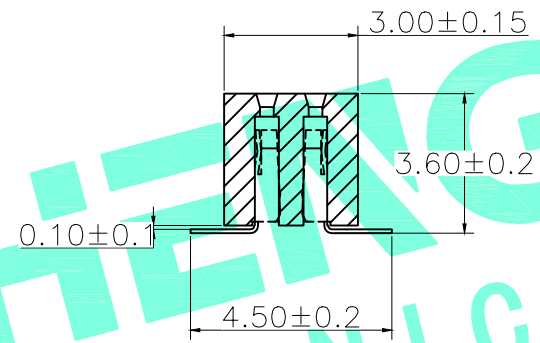
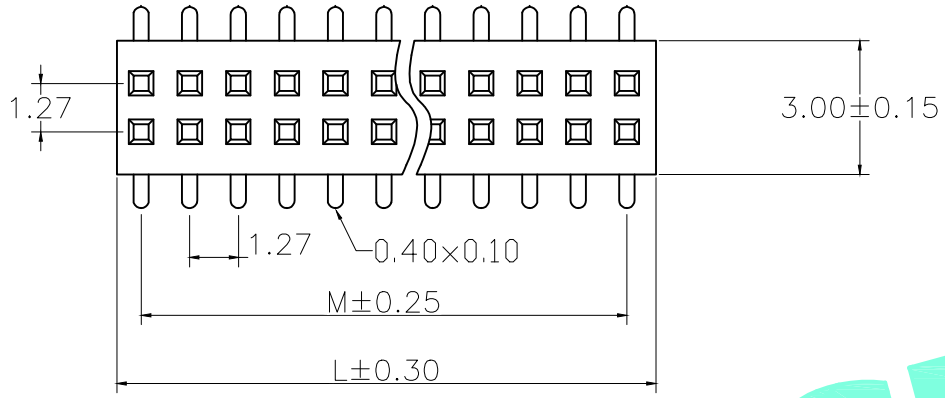
深圳市裕诚电子有限公司
SHENZHEN YUCHENG ELECTRONICS CO.,LTD

| | | | | | | |
|-----------|--------------|--------------------|--------------|--------------------|----------|-----------|
| APPROVED: | WEI JIE | GENERAL TOLERANCES | TITLE: | 1.27 双排SMT排母 H=4.3 | | |
| CHECKED: | HONG JIN YUN | .X'±5.0' | PART NO: | S127TP43-PIN数 | | |
| DRAWING: | CHEN YA | .X'±3.0' | WEBSITE : | www.ycelectron.com | | |
| | | .XX'±2.0' | REV: A | UNIT: mm | SCALE: / | SHEET: A4 |
| | | .XXX'±1.0' | SHEET: 1 / 1 | | | |

RoHS Compliant

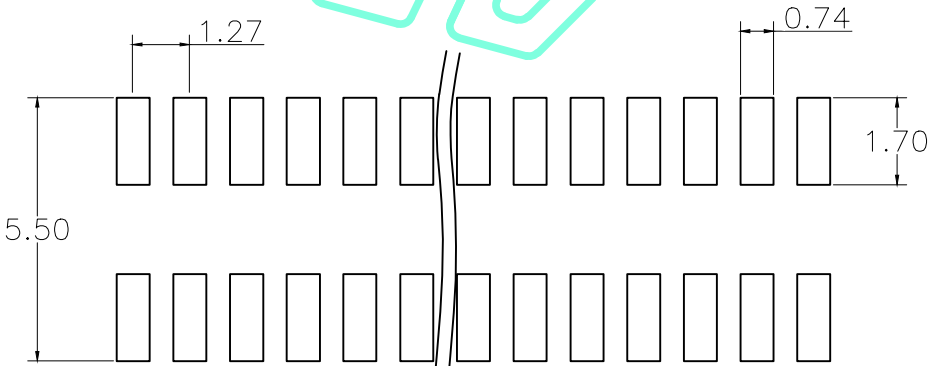
| REV. A/0 | DESCRIPTION NEW | DESIGN CWF | DATE |
|----------|-----------------|------------|------|
|----------|-----------------|------------|------|

| No. of PIN/ROW | Dimension Information | |
|----------------|-----------------------|-------|
| | M | L |
| 02 | 1.27 | 2.89 |
| 03 | 2.54 | 4.16 |
| 04 | 3.81 | 5.43 |
| 05 | 5.08 | 6.70 |
| 06 | 6.35 | 7.97 |
| 07 | 7.62 | 9.24 |
| 08 | 8.89 | 10.51 |
| 09 | 10.16 | 11.78 |
| 10 | 11.43 | 13.05 |
| 11 | 12.70 | 14.32 |
| 12 | 13.97 | 15.59 |
| 13 | 15.24 | 16.86 |
| 14 | 16.51 | 18.13 |
| 15 | 17.78 | 19.40 |
| 16 | 19.05 | 20.67 |
| 17 | 20.32 | 21.94 |
| 18 | 21.59 | 23.21 |
| 19 | 22.86 | 24.48 |
| 20 | 24.13 | 25.75 |
| 21 | 25.40 | 27.02 |
| 22 | 26.67 | 28.29 |
| 23 | 27.94 | 29.56 |
| 24 | 29.21 | 30.83 |
| 25 | 30.48 | 32.10 |
| 26 | 31.75 | 33.37 |
| 27 | 33.02 | 34.64 |
| 28 | 34.29 | 35.91 |
| 29 | 35.56 | 37.18 |
| 30 | 36.83 | 38.45 |
| 31 | 38.10 | 39.72 |
| 32 | 39.37 | 40.99 |
| 33 | 40.64 | 42.26 |
| 34 | 41.91 | 43.53 |
| 35 | 43.18 | 44.80 |
| 36 | 44.45 | 46.07 |
| 37 | 45.72 | 47.34 |
| 38 | 46.99 | 48.61 |
| 39 | 48.26 | 49.88 |
| 40 | 49.53 | 51.15 |



SPECIFICATIONS

- 1.Current Rate :0.75AMP
- 2.Operation Temperature :-40° C to+105° C
- 3.Contact Resistance :20m ΩMax.
- 4.Insulation Resistance :1000M Ω Min.
- 5.Withstanding Voltage :AC 500v
- 6.Insulator Material :Polyester (UL94V-0)
Standard:Nylon-PA6T
- 7.Contact Material :Brass
- 8.Contact plating :Au or Sn over Ni



Recommended P.C.B Hloe Layout

THESE DRAWINGS AND SPECIFICATIONS ARE THE PROPERTY OF SHENZHEN YUCHENG ELECTRONICS.,LTD AND SHALL NOT BE REPRODUCED, COPIED OR USED IN ANY MANNER WITHOUT THE PRIOR WRITTEN CONSENT OF SHENZHEN YUCHENG ELECTRONICS.,LTD



深圳市裕诚电子有限公司
SHENZHEN YUCHENG ELECTRONICS CO.,LTD

| | | | | |
|-----------|--------------|--------------------|---------------------------|------------------------------------|
| APPROVED: | WEI JIE | GENERAL TOLERANCES | TITLE: 1.27 双排SMT排母 H=3.4 | |
| CHECKED: | HONG JIN YUN | X'±5.0' | X.±0.30 | PART NO: S127TP34-PIN数 |
| DRAWING: | CHEN YA | .X'±3.0' | .X±0.25 | |
| | | .XX'±2.0' | .XX±0.15 | WEBSITE: www.ycelectron.com |
| | | .XXX'±1.0' | .XXX±0.10 | REV: A UNIT: mm SCALE: / SHEET: A4 |
| | | SHEET: 1 / 1 | | |