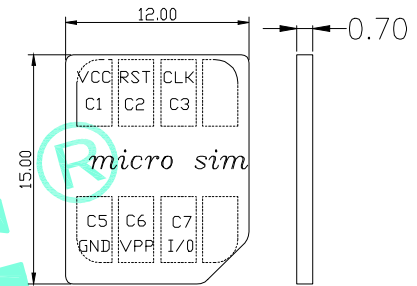
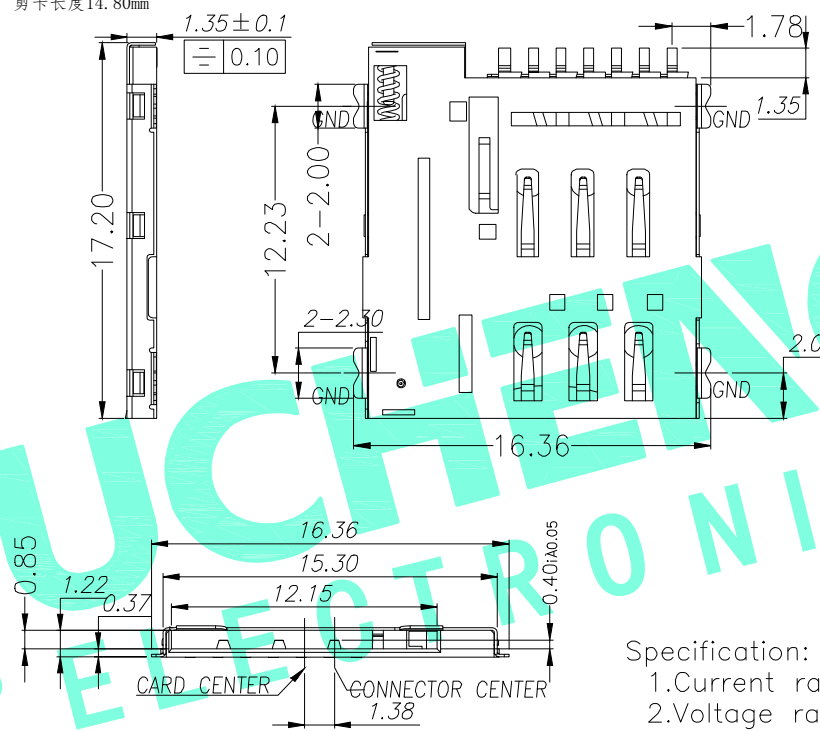
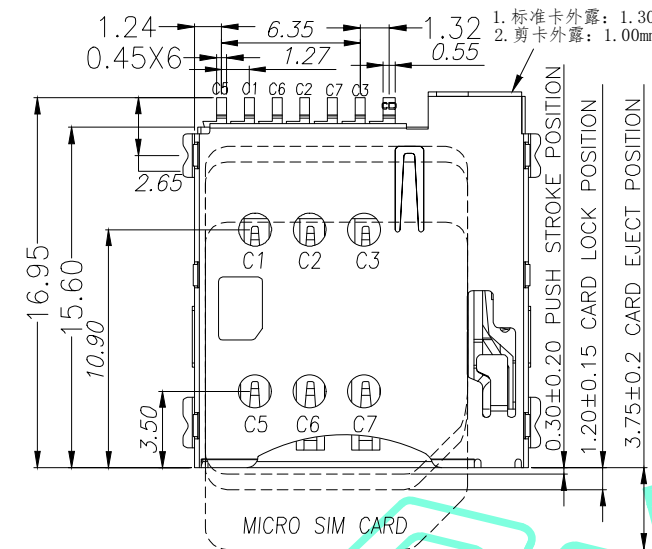


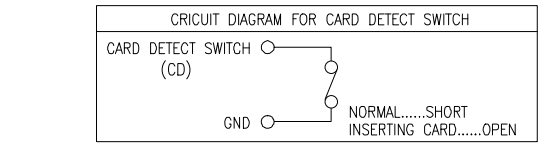
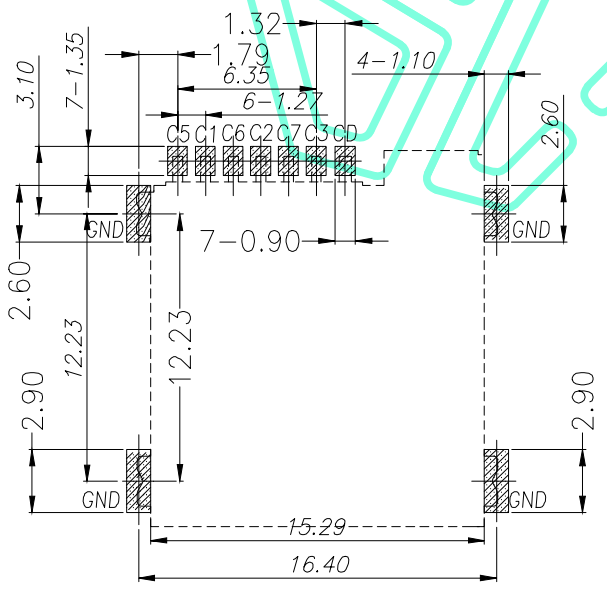
RoHS Compliant

| | | | |
|----------|-----------------|------------|------|
| REV. A/0 | DESCRIPTION NEW | DESIGN CWF | DATE |
|----------|-----------------|------------|------|



MICRO SIM CARD

| SIM CARD | |
|----------|------|
| Pin No. | NAME |
| C1 | VCC |
| C2 | RST |
| C3 | CLK |
| C5 | GND |
| C6 | VPP |
| C7 | I/O |



PAD
 KEEP OUT AREA
 RECOMMENDED PCB LAYOUT
 GENERAL TOLERANCE ±0.05

Specification:

- 1.Current rating: 0.5 A
- 2.Voltage rating: DC 5V
- 3.Dielectric strength:500V AC RMS for 1 minute.
- 4.Contact resistance:100mΩ max.
- 5.Insulator resistance:500MΩ min.at 250V DC.
- 6.Mating unmating cycles:3000 cycles

| ITEM | PART NAME | QTY. | MATERIAL | FINISHING |
|------|-----------|------|--------------|-----------|
| ③ | Shell | 1 | SUS | Ni Plated |
| ② | Terminal | 6 | Copper Alloy | Au Plated |
| ① | Housing | 1 | LCP | Black |

THESE DRAWINGS AND SPECIFICATIONS ARE THE PROPERTY OF SHENZHEN YUCHENG ELECTRONICS.,LTD AND SHALL NOT BE REPRODUCED, COPIED OR USED IN ANY MANNER WITHOUT THE PRIOR WRITTEN CONSENT OF SHENZHEN YUCHENG ELECTRONICS.,LTD

UCHENG ELECTRONICS 深圳市裕诚电子有限公司
SHENZHEN YUCHENG ELECTRONICS CO.,LTD

| | |
|-----------------------|--------------------------------------|
| GENERAL TOLERANCES | TITLE: Micro SIM 7P卡座 贴片小卡自弹超薄1.35MM |
| 30~以上 ±0.30 | PART NO: SIM-172Y |
| 10~30 ±0.25 | |
| 5~10 ±0.20 | |
| ~ 5 ±0.15 | WEBSITE: www.ycelectron.com |
| APPROVED: WEI JIE | REV: A |
| CHECKED: HONG JIN YUN | UNIT: mm |
| DRAWING: CHEN YA | SCALE: / |
| SHEET: 1 / 1 | SHEET: A4 |