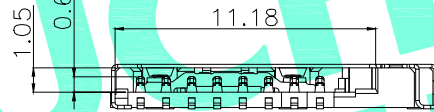
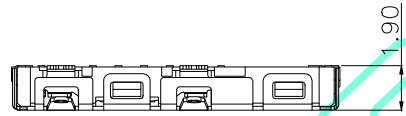
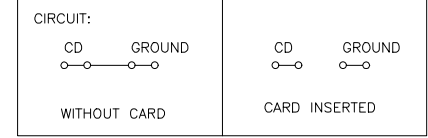
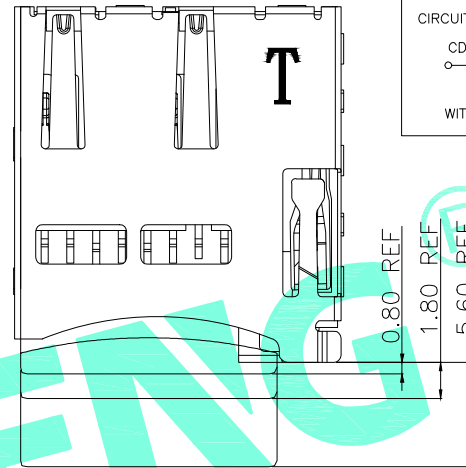
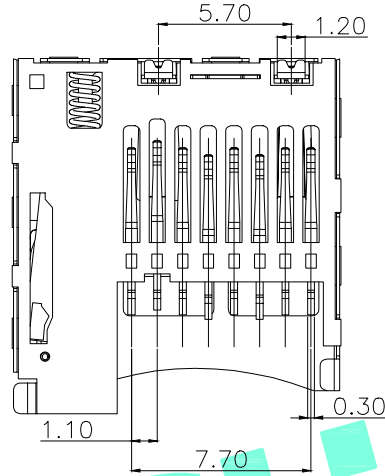
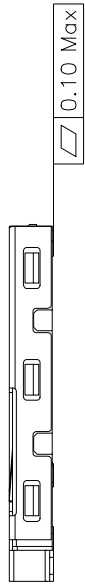
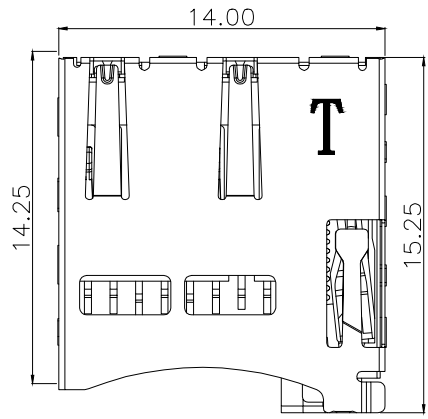


RoHS Compliant

REV. A/0	DESCRIPTION NEW	DESIGN CWF	DATE
----------	-----------------	------------	------



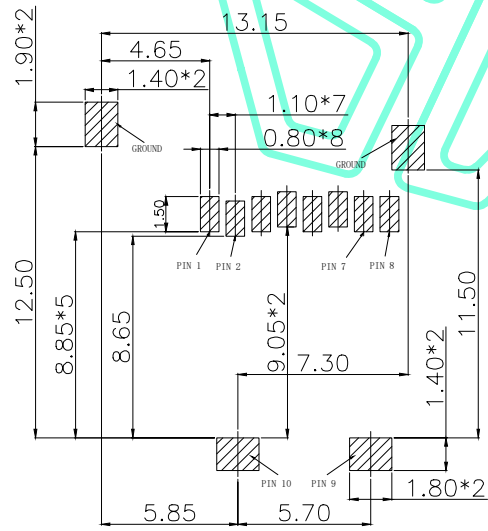
Specification

- 1 Current Rating :0.5A.
- 2 Voltage Rating :DC 5V
- 3 Ambient Temperature Range :-25°C~+85°C
- 4 Ambient Humidity Range :95% R.H. Max.
- 5 Contact Resistance:100mΩ max.
- 6 Insulation Resistance:1000MΩ min./500VDC
- 7 Durability:3,000 cycles

Memory Card Pin Assignment

Pin No.	NAME	TYPE	DESCRIPTION
1	DAT 2	I/O/PP	Date Line(bit2)
2	CD/DAT 3	I/O/PP	Card Detect/Date Line(bit3)
3	CMD	PP	Command Response
4	VDD	S	Supply Voltage
5	CLK	I	Colck
6	VSS	S	Supply Voltage Ground
7	DAT0	I/O/PP	Date Line(bit0)
8	DAT1	I/O/PP	Date Line(bit1)
9	CARD DETECT		
10			

ITEM	PART NAME	QTY.	MATERIAL	FINISHING
④	Spring	1	SUS	Ni Plated
③	Shell	1	SUS	Ni/Ag Plated
②	Contact	8	Phosphor Bronze	Ag Plated
①	Housing	1	LCP	Black



PCB Layout(Pattern Side)

THESE DRAWINGS AND SPECIFICATIONS ARE THE PROPERTY OF SHENZHEN YUCHENG ELECTRONICS.LTD.AND SHALL NOT BE REPRODUCED,COPIED OR USED IN ANY MANNER WITHOUT THE PRIOR WRITTEN CONSENT OF SHENZHEN YUCHENG ELECTRONICS.LTD

UCHENG 深圳市裕诚电子有限公司
ELECTRONICS SHENZHEN YUCHENG ELECTRONICS CO.,LTD

APPROVED:	WEI JIE	TITLE:	TF卡座 Micro 8P SMT自弹式内焊脚
CHECKED:	HONG JIN YUN	PART NO.:	TF-143Y
DRAWING:	CHEN YA	WEBSITE:	www.ycelectron.com
		REV: A	UNIT: mm SCALE: / SHEET: A4

GENERAL TOLERANCES	
30~以上	±0.30
10~30	±0.25
5~10	±0.20
~ 5	±0.15
SHEET:	1 / 1

