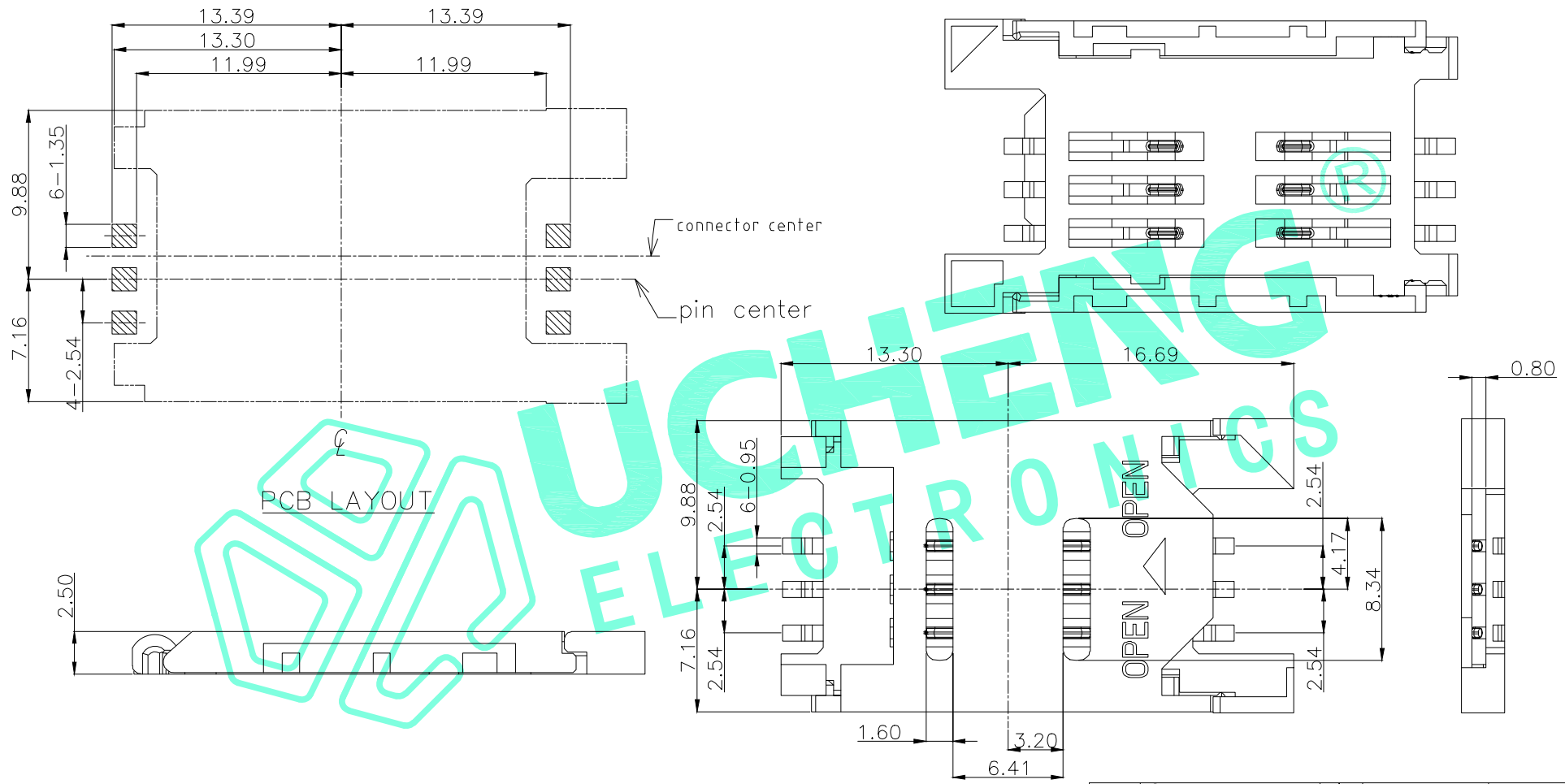


RoHS Compliant

REV. A/0	DESCRIPTION NEW	DESIGN CWF	DATE
-------------	--------------------	---------------	------



Specification:

- 1.Current rating: 0.5 A
- 2.Voltage rating: DC 5V
- 3.Dielectric strength:500V AC RMS for 1 minute.
- 4.Contact resistance:100mΩ max.
- 5.Insulator resistance:500MΩ min.at 250V DC.
- 6.Mating unmating cycles:5000 cycles

③	Cover	1	LCP	Black
②	Terminal	6	Copper alloy	Au Plated
①	Housing	1	LCP	Black
ITEM	PART NAME	QTY.	MATERIAL	FINISHING

THESE DRAWINGS AND SPECIFICATIONS ARE THE PROPERTY OF SHENZHEN YUCHENG ELECTRONICS.LTD AND SHALL NOT BE REPRODUCED, COPIED OR USED IN ANY MANNER WITHOUT THE PRIOR WRITTEN CONSENT OF SHENZHEN YUCHENG ELECTRONICS.LTD

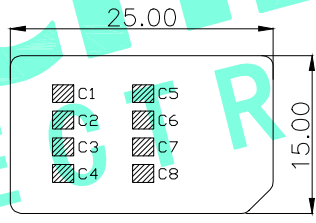
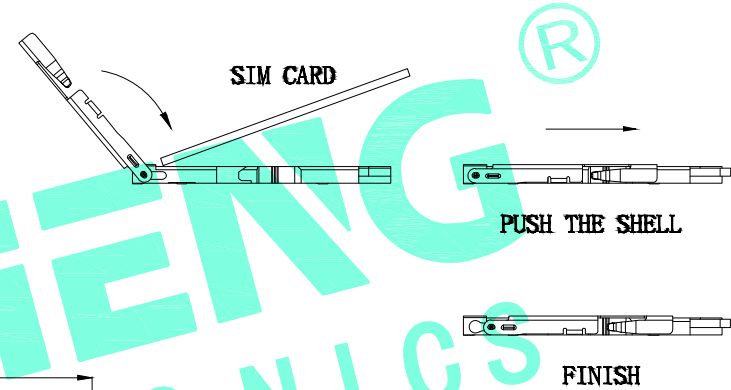
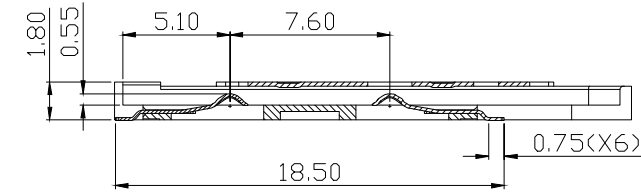
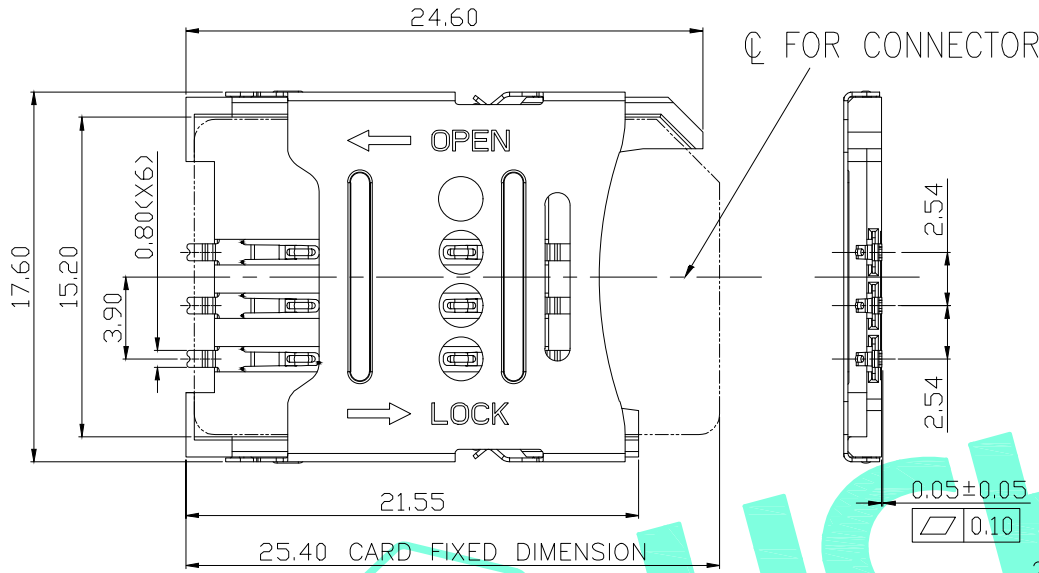
APPROVED: WEI JIE
 CHECKED: HONG JIN YUN
 DRAWING: CHEN YA

YUCHENG ELECTRONICS 深圳市裕诚电子有限公司
 SHENZHEN YUCHENG ELECTRONICS CO.,LTD

GENERAL TOLERANCES	TITLE:	SIM-翻盖式6Pin卡座		
30~以上 ±0.30	PART NO:	SIM-215Y		
10~30 ±0.25	WEBSITE:	www.ycelectron.com		
5~10 ±0.20	REV: A	UNIT: mm	SCALE: /	SHEET: A4
~ 5 ±0.15				
SHEET: 1 / 1				

RoHS Compliant

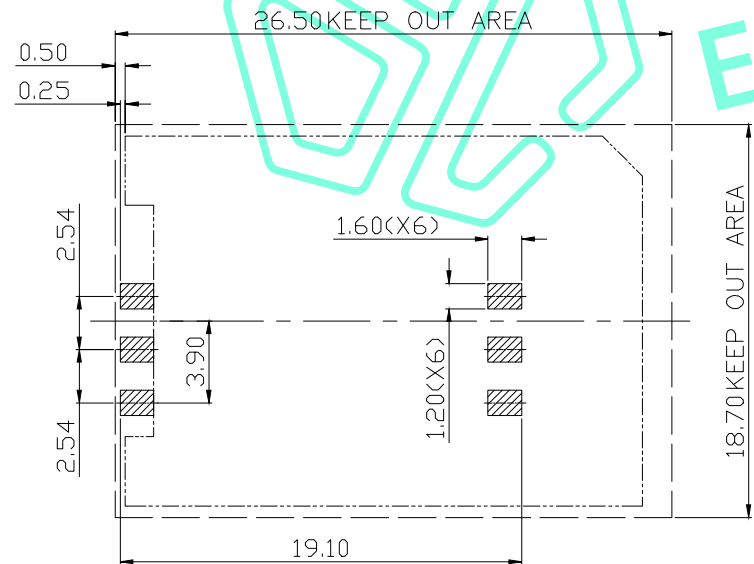
REV. A/0	DESCRIPTION NEW	DESIGN CWF	DATE
----------	-----------------	------------	------



- Specification:
1. Current rating: 0.5 A
 2. Voltage rating: DC 5V
 3. Dielectric strength: 500V AC RMS for 1 minute.
 4. Contact resistance: 100mΩ max.
 5. Insulator resistance: 500MΩ min. at 250V DC.
 6. Mating unmating cycles: 5000 cycles

PIN NO.	PIN NAME
C 1	Supply Voltage Vcc
C 2	Reset (RST)
C 3	Clock (CLK)
C 5	Ground
C 6	Programming Voltage Vpp
C 7	I/O

ITEM	PART NAME	QTY.	MATERIAL	FINISHING
③	Shell	1	SUS	Ni Plated
②	Terminal	6	Phosphor Bronze	Sn/Au Plated
①	Housing	1	LCP	Black



RECOMMENDED PCB LAYOUT
TOLERANCE: ± 0.05

THESE DRAWINGS AND SPECIFICATIONS ARE THE PROPERTY OF SHENZHEN YUCHENG ELECTRONICS, LTD. AND SHALL NOT BE REPRODUCED, COPIED OR USED IN ANY MANNER WITHOUT THE PRIOR WRITTEN CONSENT OF SHENZHEN YUCHENG ELECTRONICS, LTD.

APPROVED: WEI JIE
CHECKED: HONG JIN YUN
DRAWING: CHEN YA

UCHENG ELECTRONICS 深圳市裕诚电子有限公司
SHENZHEN YUCHENG ELECTRONICS CO., LTD

GENERAL TOLERANCES		TITLE:	
30~以上	±0.30	SIM-翻盖式6Pin卡座	
10~30	±0.25	PART NO: SIM-215Y	
5~10	±0.20	WEBSITE: www.ycelectron.com	
~ 5	±0.15	REV: A	
SHEET: 1 / 1	UNIT: mm	SCALE: /	SHEET: A4