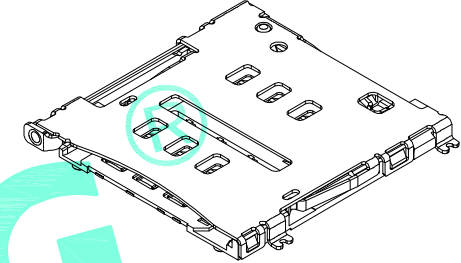
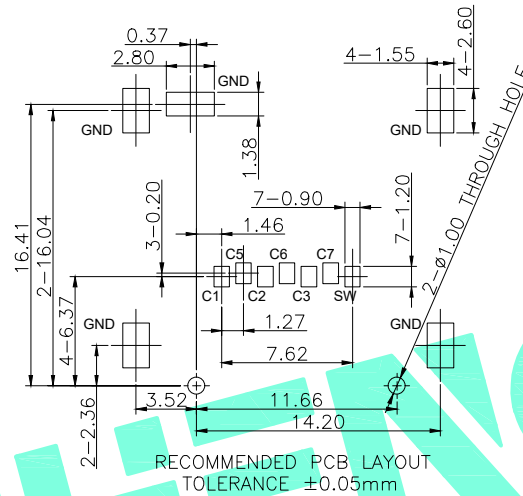
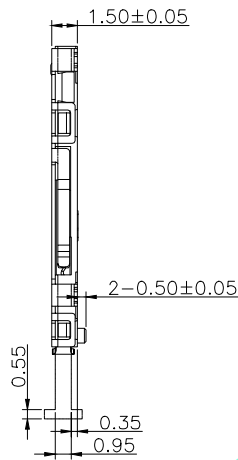
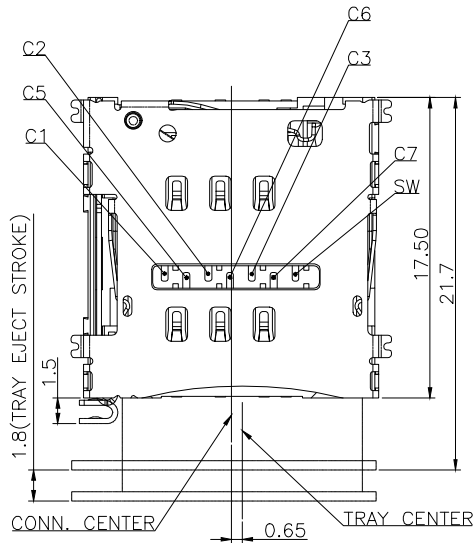


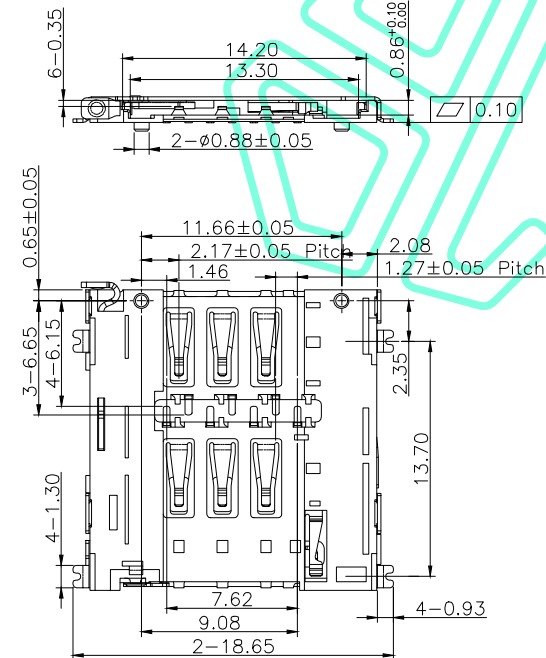
RoHS Compliant

| | | | |
|----------|-----------------|------------|------|
| REV. A/0 | DESCRIPTION NEW | DESIGN CWF | DATE |
|----------|-----------------|------------|------|



| Pin No. | Description |
|---------|---------------------------|
| C1 | Supply Voltage (Vcc) |
| C2 | Reset (RST) |
| C3 | Clock (CLK) |
| C5 | Ground |
| C6 | Programming Voltage (Vcc) |
| C7 | I/O |
| SW | Detect Switch |
| GND | Shielding Ground |

- Specification:
- 1.Current rating: 0.5 A
 - 2.Voltage rating: DC 5V
 - 3.Dielectric strength:500V AC RMS for 1 minute.
 - 4.Contact resistance:100mΩ max.
 - 5.Insulator resistance:500MΩ min.at 250V DC.
 - 6.Mating unmating cycles:3000 cycles



| | | | | |
|------|-----------|------|--------------|--------------|
| ③ | Shell | 1 | SUS | Ni Plated |
| ② | Terminal | 8 | Copper alloy | Ni/Au Plated |
| ① | Housing | 1 | LCP | Black |
| ITEM | PART NAME | QTY. | MATERIAL | FINISHING |

THESE DRAWINGS AND SPECIFICATIONS ARE THE PROPERTY OF SHENZHEN YUCHENG ELECTRONICS, LTD. AND SHALL NOT BE REPRODUCED, COPIED OR USED IN ANY MANNER WITHOUT THE PRIOR WRITTEN CONSENT OF SHENZHEN YUCHENG ELECTRONICS, LTD.

UCHENG ELECTRONICS 深圳市裕诚电子有限公司
SHENZHEN YUCHENG ELECTRONICS CO.,LTD

| | | | | |
|--------------------|--------------|---------------------|----------|-----------|
| GENERAL TOLERANCES | TITLE: | Nano SIM 7P通讯卡座 带检测 | | |
| 30~以上 ±0.30 | PART NO.: | SIM-175Y | | |
| 10~30 ±0.25 | WEBSITE: | www.ycelectron.com | | |
| 5~10 ±0.20 | REV: A | UNIT: mm | SCALE: / | SHEET: A4 |
| ~ 5 ±0.15 | | | | |
| DRAWING: CHEN YA | SHEET: 1 / 1 | | | |