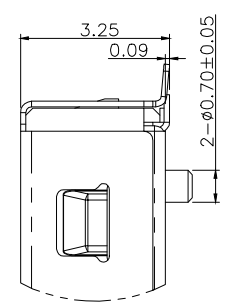
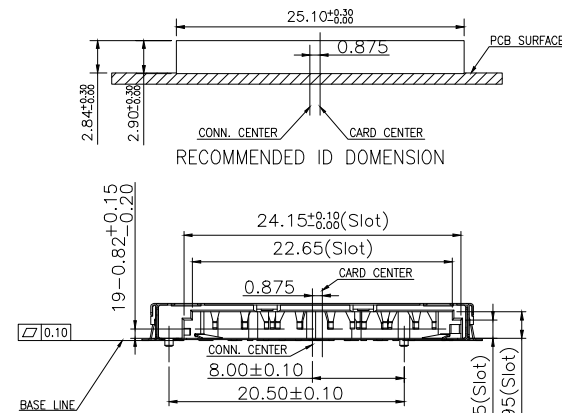
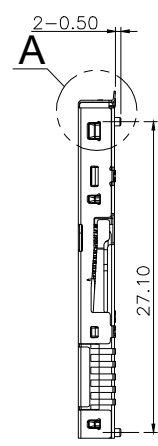
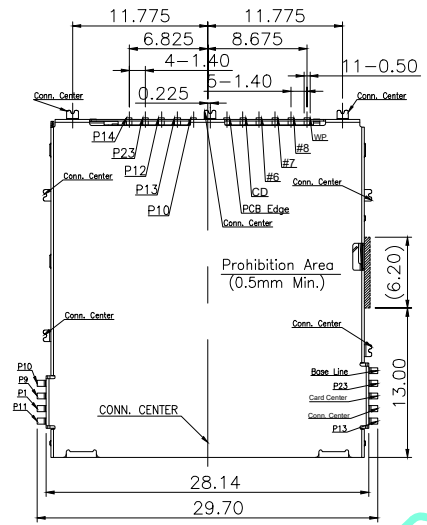
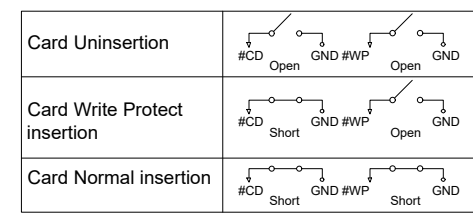


RoHS Compliant

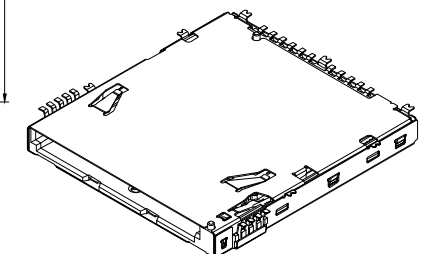
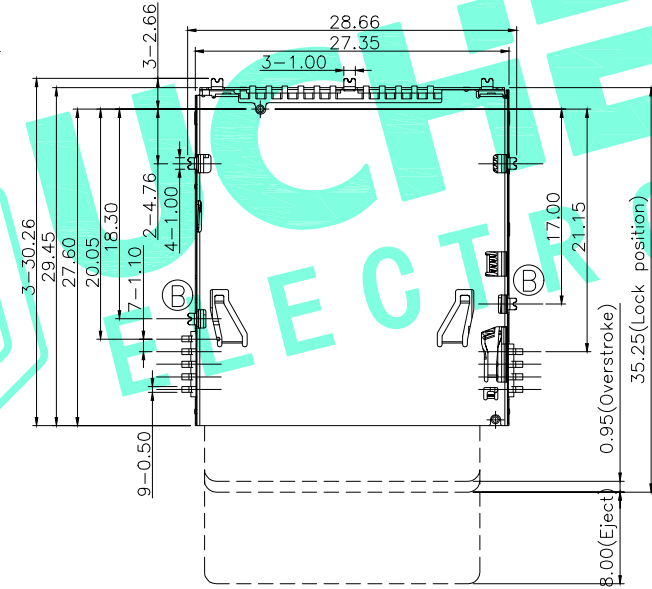
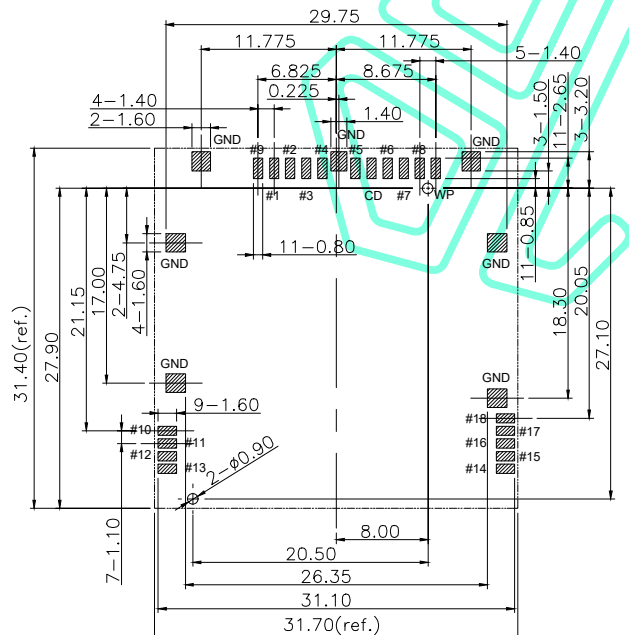
REV.	DESCRIPTION	DESIGN	DATE
A/0	NEW	CFW	



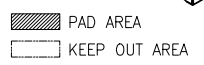
Detail A
Scale 4 : 1



- Note:
1. Current Rating :0.5A.
 2. Voltage Rating :DC 5V
 3. Dielectric Withstanding Voltage:AC500V r.m.s.
 4. Insulation Resistance:1000 Megohms
 5. Contact Resistance:100 Miliohms Maximum.
 6. Operating Temperature:-25°C to +85°C.
 7. Salty spray: 48H



RECOMMENDED PCB LAYOUT (TOP VIEW)
TOLERANCE UNLESS OTHERWISE SPEC ±0.05



Pin#	SD Mode	UHS II Mode	SD Express Card	Pin#	SD Mode	UHS II Mode	SD Express Card
#1	CD/DAT3		PERST#	#11		D0+	PCIe_Tx+
#2	CMD			#12		D0-	PCIe_Tx-
#3	VSS1	VSS1	VSS1	#13		VSS4	VSS4
#4	VDD	VDD1	VDD1	#14		VDD2	VDD2
#5	CLK			#15		D1-	PCIe_Rx-
#6	VSS2	VSS2	VSS2	#16		D1+	PCIe_Rx+
#7	DAT0	RCLK+	REFCLK+	#17		VSS5	VSS5
#8	DAT1	RCLK-	REFCLK-	#18		VDD3	VDD3
#9	DAT2		CLKREQ#	CD		Card Detect	
#10		VSS3	VSS3	WP		Write Protect	

③	Shell	1	SUS	Ni Plated
②	Terminal	20	Phosphor Bronze	Au/Ni Plated
①	Housing	1	LCP	Black
ITEM	PART NAME	QTY.	MATERIAL	FINISHING

THESE DRAWINGS AND SPECIFICATIONS ARE THE PROPERTY OF SHENZHEN YUCHENG ELECTRONICS.LTD AND SHALL NOT BE REPRODUCED, COPIED OR USED IN ANY MANNER WITHOUT THE PRIOR WRITTEN CONSENT OF SHENZHEN YUCHENG ELECTRONICS.LTD

APPROVED: WEI JIE
 CHECKED: HONG JIN
 DRAWING: YUN CHEN YA

UCHENG 深圳市裕诚电子有限公司
 ELECTRONICS SHENZHEN YUCHENG ELECTRONICS CO.,LTD

GENERAL TOLERANCES
 30~以上 ±0.30
 10~30 ±0.25
 5~10 ±0.20
 ~ 5 ±0.15

TITLE: SD卡座 自弹7.0 板下型 带开关
 PART NO: SD-294Y
 WEBSITE: www.ycelectron.com
 REV: A UNIT: mm SCALE: / SHEET: A4