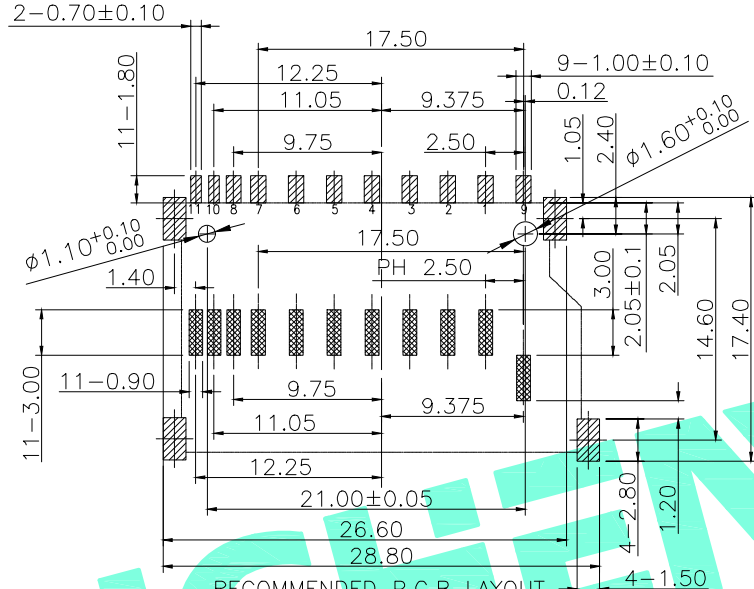
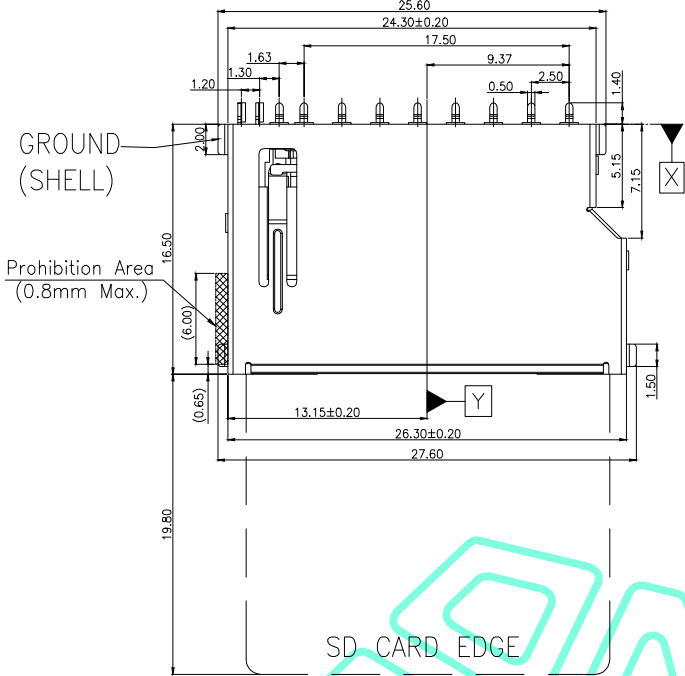


RoHS Compliant

REV. A/0	DESCRIPTION NEW	DESIGN CWF	DATE
----------	-----------------	------------	------



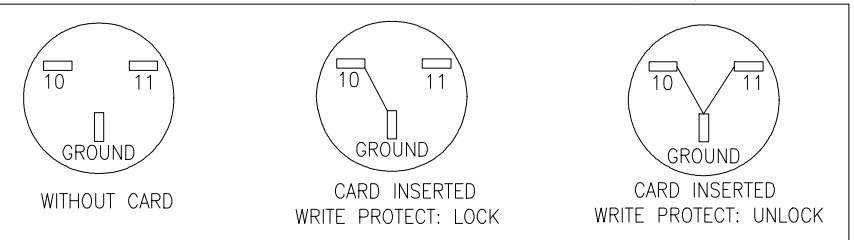
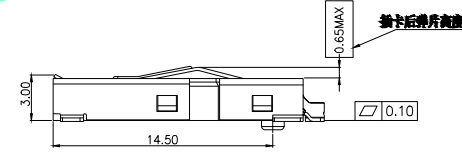
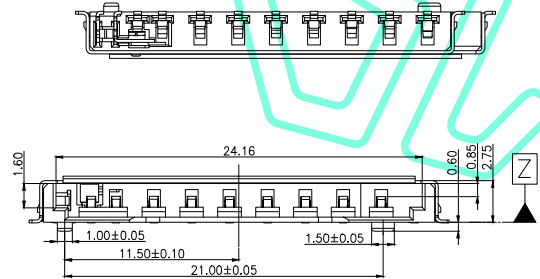
RECOMMENDED P.C.B LAYOUT
(General tolerance ±0.05)

- PAD AREA
- KEEP OUT AREA
- NO COPPER AREA (NO TRACE & VIA & GND)

SD CARD PIN DESIGN

PIN NO.	NAME	DESCRIPTION
1#	CD/DAT3	CARD DETECT/DATA I/O
2#	CMD	COMMAND
3#	VSS1	GROUND
4#	VDD	POWER
5#	CLK	CLOCK
6#	VSS2	GROUND
7#	DAT0	DATA I/O
8#	DAT1	DATA I/O
9#	DAT2	DATA I/O
10#	CD	
11#	WP	

CONTACT CURRENT RATING:0.5 A
 VOLTAGE RATING:DC 5V
 DIELECTRIC WITHSTANDING VOLTAGE: AC 500V r.m.s.
 INSULATION RESISTANCE:1000 MΩ Minimum.
 CONTACT RESISTANCE:100 mΩ Maximum.
 INSERTION FORCE:10N Max
 SEPARATION FORCE: 2N Min
 OPERATING TEMPERATURE:-25°C~85°C



ITEM	PART NAME	QTY.	MATERIAL	FINISHING
③	Shell	1	Brass	Ni Plated
②	Terminal	11	Phosphor Bronze	Au/Ni Plated
①	Housing	1	LCP	Black

THESE DRAWINGS AND SPECIFICATIONS ARE THE PROPERTY OF SHENZHEN YUCHENG ELECTRONICS, LTD AND SHALL NOT BE REPRODUCED, COPIED OR USED IN ANY MANNER WITHOUT THE PRIOR WRITTEN CONSENT OF SHENZHEN YUCHENG ELECTRONICS, LTD

APPROVED: WEI JIE
 CHECKED: HONG JIN YUN
 DRAWING: CHEN YA

UCHENG 深圳市裕诚电子有限公司
 ELECTRONICS SHENZHEN YUCHENG ELECTRONICS CO.,LTD

GENERAL TOLERANCES
 30~以上 ±0.30
 10~30 ±0.25
 5~10 ±0.20
 ~ 5 ±0.15

TITLE: SD简易卡座 内存卡槽 短体不带自弹 11P
 PART NO: SD-185Y
 WEBSITE: www.ycelectron.com
 REV: A UNIT: mm SCALE: / SHEET: A4