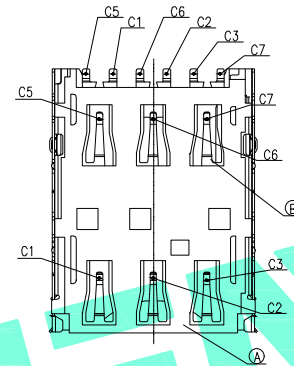
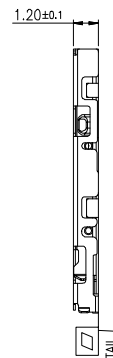
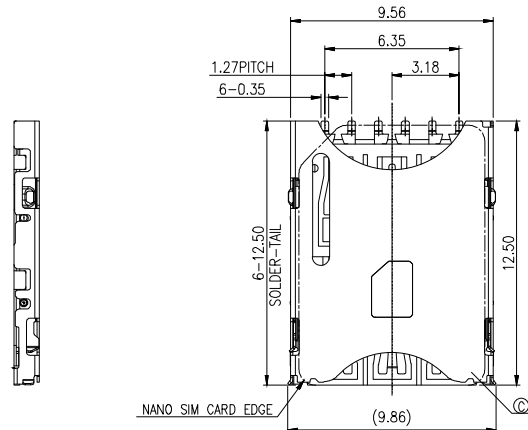
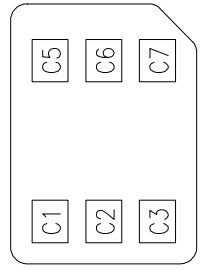
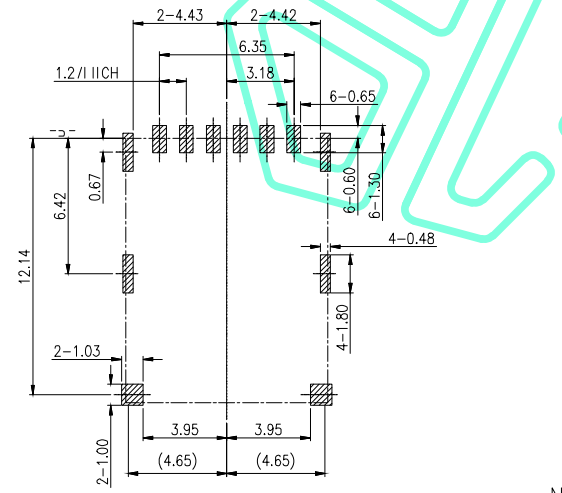


RoHS Compliant

REV.	DESCRIPTION	DESIGN	DATE
A/0	NEW	CWF	



SIM pin assignment	
PIN#	Name
C1	VCC供电电压
C2	RST重置
C3	CLK时钟
C5	GND接地
C6	VPP程序电压
C7	I/O输入输出

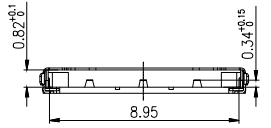


NANO SIM CARD PAD

RECOMMEND P.C.B LAYOUT
(General tolerance ±0.05)

Specification:

- 1.Current rating: 0.5 A
- 2.Voltage rating: DC 5V
- 3.Dielectric strength:500V AC RMS for 1 minute.
- 4.Contact resistance:100mΩ max.
- 5.Insulator resistance:500MΩ min.at 250V DC.
- 6.Mating unmating cycles:1500 cycles



ITEM	PART NAME	QTY.	MATERIAL	FINISHING
③	Shell	1	SUS	Ni Plated
②	Terminal	6	Copper alloy	Ni/Au Plated
①	Housing	1	LCP	Black

THESE DRAWINGS AND SPECIFICATIONS ARE THE PROPERTY OF SHENZHEN YUCHENG ELECTRONICS .LTD AND SHALL NOT BE REPRODUCED, COPIED OR USED IN ANY MANNER WITHOUT THE PRIOR WRITTEN CONSENT OF SHENZHEN YUCHENG ELECTRONICS .LTD

APPROVED: WEI JIE
CHECKED: HONG JIN YUN
DRAWING: CHEN YA

UCHENG 深圳市裕诚电子有限公司
ELECTRONICS SHENZHEN YUCHENG ELECTRONICS CO.,LTD

GENERAL TOLERANCES		TITLE: Nano SIM卡座拉拔直插式1.20H	
30~以上	±0.30	PART NO: SIM-125Y	
10~30	±0.25	WEBSITE: www.ycelectron.com	
5~10	±0.20	REV: A	
~ 5	±0.15	UNIT: mm	SCALE: /
SHEET: 1 / 1		SHEET: A4	