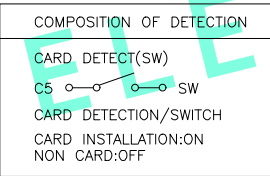
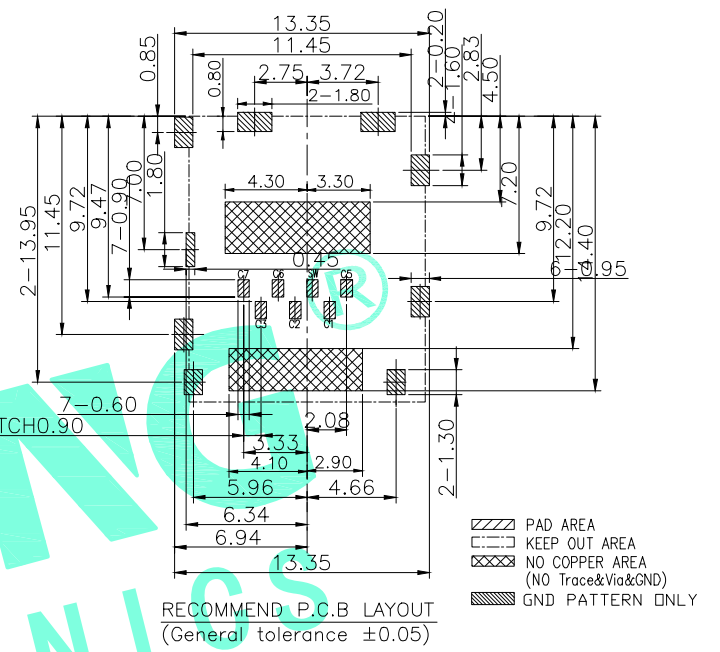
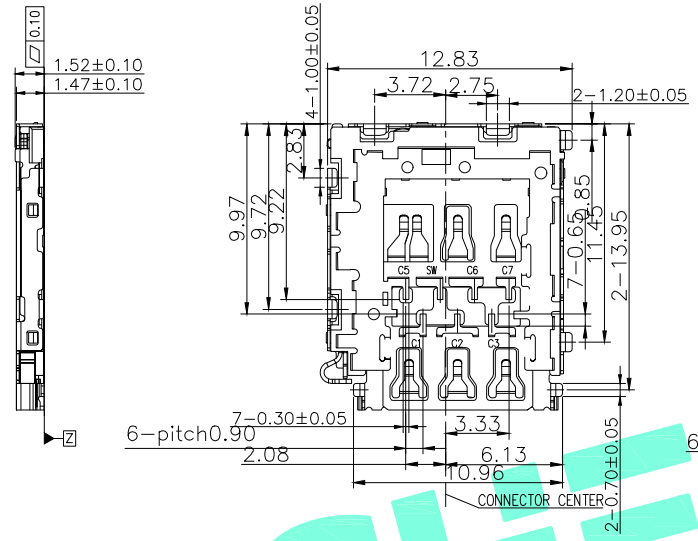
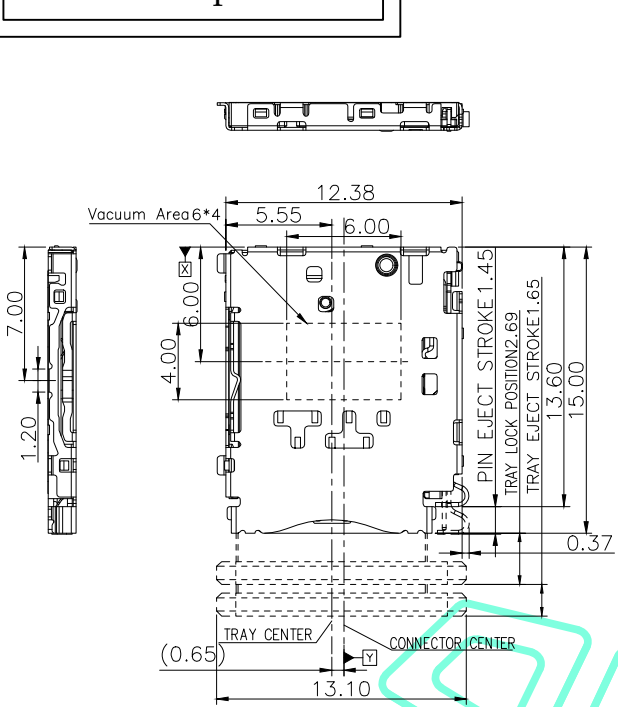


RoHS Compliant

REV.	DESCRIPTION	DESIGN	DATE
A/0	NEW	CFW	

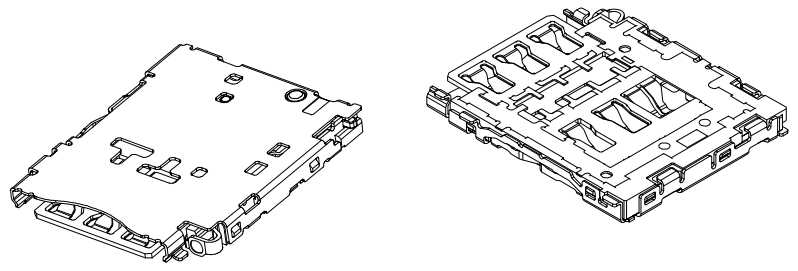


SIM Card Pin Assignments

NANO SIM CARD	
C1	Vcc
C2	RST
C3	CLK
C5	GND
SW	CD/SW
C6	Vpp
C7	DATA

Specification:

1. Current rating: 0.5 A
2. Voltage rating: DC 5V
3. Dielectric strength: 500V AC RMS for 1 minute.
4. Contact resistance: 100mΩ max.
5. Insulator resistance: 500MΩ min. at 250V DC.
6. Mating unmating cycles: 5000 cycles



③	Shell	1	SUS	Ni/Au Plated
②	Terminal	7	Copper alloy	Ni/Au Plated
①	Housing	1	LCP	Black
ITEM	PART NAME	QTY.	MATERIAL	FINISHING

THESE DRAWINGS AND SPECIFICATIONS ARE THE PROPERTY OF SHENZHEN YUCHENG ELECTRONICS, LTD AND SHALL NOT BE REPRODUCED, COPIED OR USED IN ANY MANNER WITHOUT THE PRIOR WRITTEN CONSENT OF SHENZHEN YUCHENG ELECTRONICS, LTD

APPROVED: WEI JIE
 CHECKED: HONG JIN YUN
 DRAWING: CHEN YA

UCHENG 深圳市裕诚电子有限公司
 ELECTRONICS SHENZHEN YUCHENG ELECTRONICS CO.,LTD

GENERAL TOLERANCES
 30~以上 ±0.30
 10~30 ±0.25
 5~10 ±0.20
 ~ 5 ±0.15
 SHEET: 1 / 1

TITLE: NanoSIM卡座 7pin带开关耐高温快速
 PART NO: SIM-150Y
 WEBSITE: www.ycelectron.com
 REV: A UNIT: mm SCALE: / SHEET: A4