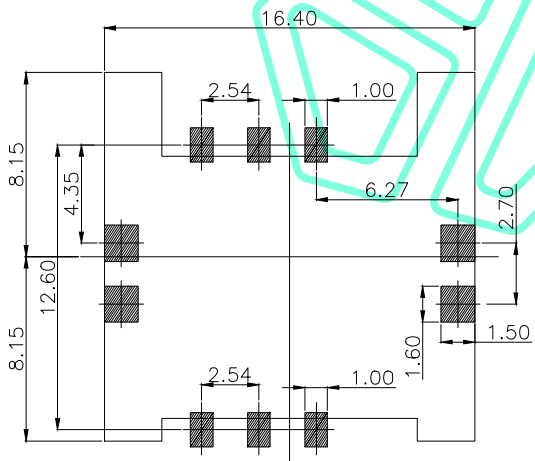
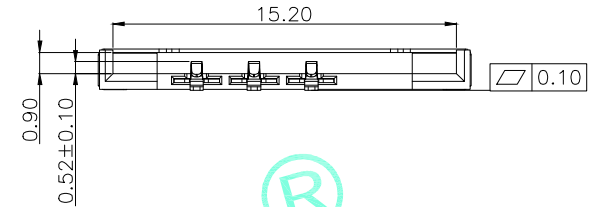
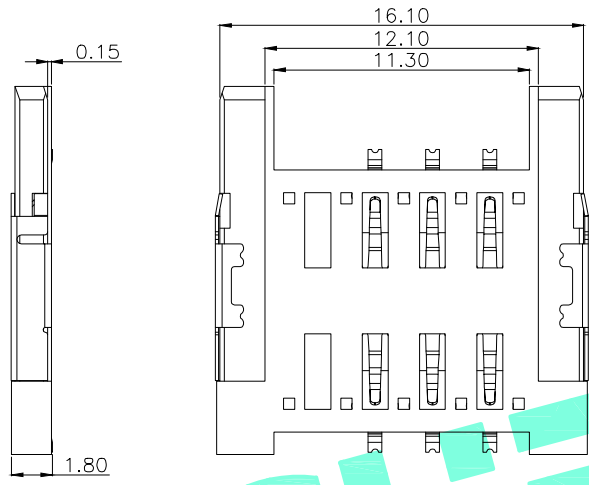
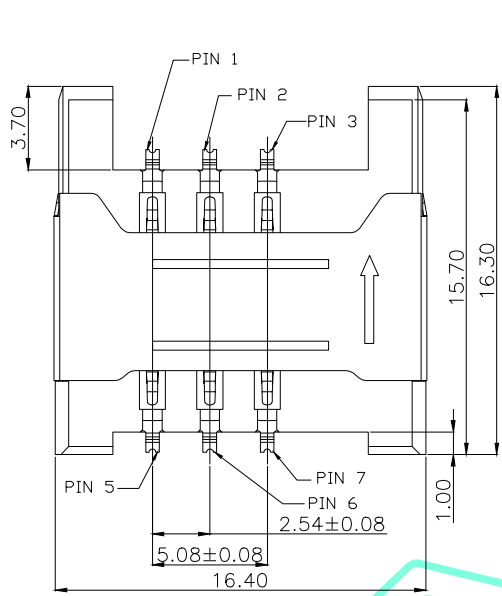
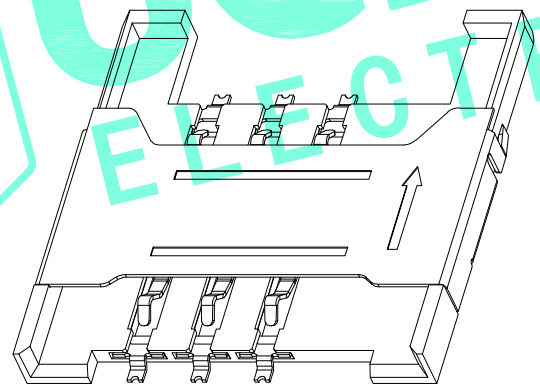


RoHS Compliant

REV. A/0	DESCRIPTION NEW	DESIGN CWF	DATE
-------------	--------------------	---------------	------



Recommended PCB Layout



Specification:

- 1.Current rating: 0.5 A
- 2.Voltage rating: DC 5V
- 3.Dielectric strength:500V AC RMS for 1 minute.
- 4.Contact resistance:100mΩ max.
- 5.Insulator resistance:500MΩ min.at 250V DC.
- 6.Mating unmating cycles:1000 cycles

ITEM	PART NAME	QTY.	MATERIAL	FINISHING
⑥	Sliding Block	1	LCP	Black
⑤	Clasp	1	SUS	Ni Plated
④	Spring	1	SUS	Ni Plated
③	Shell	1	SUS	Ni Plated
②	Terminal	6	Phosphor Bronze	Sn Plated
①	Housing	1	LCP	Black

THESE DRAWINGS AND SPECIFICATIONS ARE THE PROPERTY OF SHENZHEN YUCHENG ELECTRONICS.,LTD.AND SHALL NOT BE REPRODUCED,COPIED OR USED IN ANY MANNER WITHOUT THE PRIOR WRITTEN CONSENT OF SHENZHEN YUCHENG ELECTRONICS.,LTD



深圳市裕诚电子有限公司
SHENZHEN YUCHENG ELECTRONICS CO.,LTD

APPROVED:	WEI JIE	GENERAL TOLERANCES	TITLE:	SIM卡座 插拔式6P 大卡卡槽 1.8H 连桥带挡式 内焊		
CHECKED:	HONG JIN YUN	30~以上 ±0.30	PART NO:	SIM-163Y		
DRAWING:	CHEN YA	10~30 ±0.25	WEBSITE:	www.ycelectron.com		
		5~10 ±0.20	REV: A	UNIT: mm	SCALE: /	SHEET: A4
		~ 5 ±0.15				
		SHEET: 1 / 1				