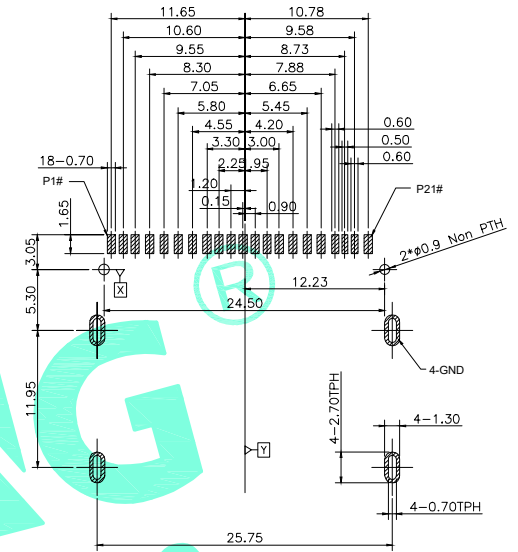
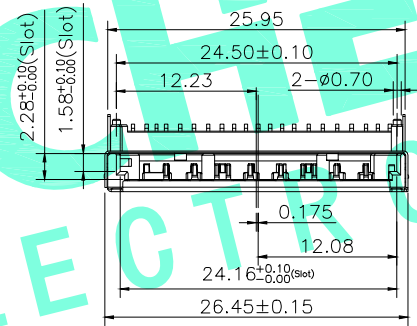
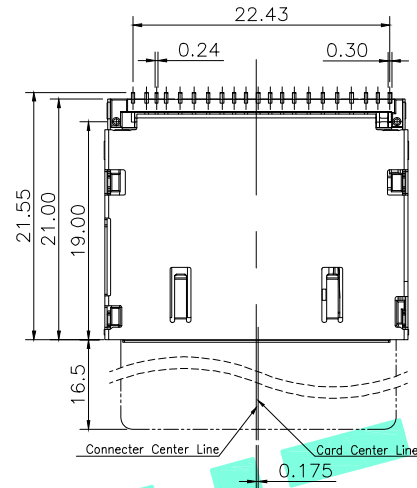
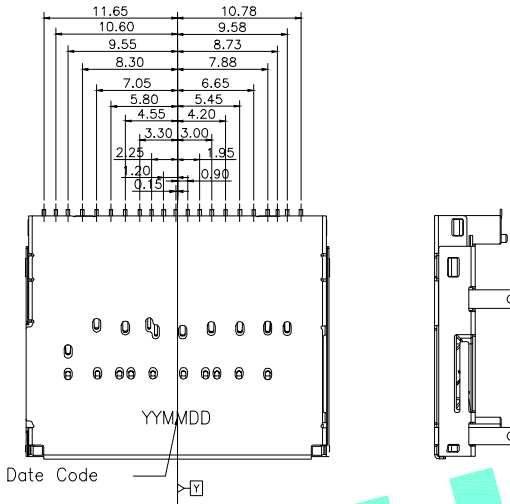
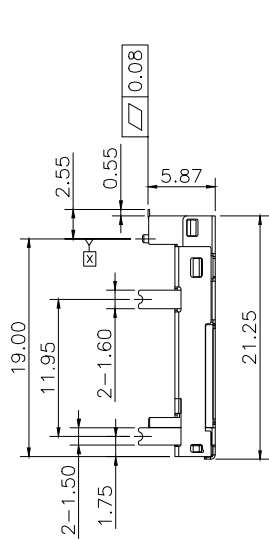
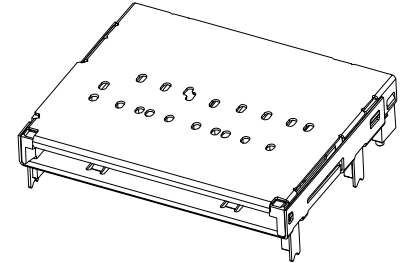


RoHS Compliant

REV.	DESCRIPTION	DESIGN	DATE
A/0	NEW	CFW	



Recommended PCB Layout Top View(Tolerance±0.05)

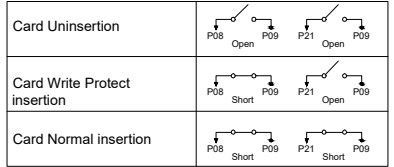


PIN DEFINE:

SD Mode			UHS-I Mode			SD Express Mode		
PIN#	NAME	DESCRIPTION	PIN#	NAME	DESCRIPTION	PIN#	NAME	DESCRIPTION
1			1	VSS3	Supply voltage ground	1	VSS3	Supply voltage ground
2			2	RESERVED	Reserved Area for future pad extension	2	RESERVED	Reserved Area for future pad extension
3	DAT2	DATA LINE BIT2	3	CLKREQ#	Reference clock request signal. Also used by L1 PM sub-states	3	CLKREQ#	Reference clock request signal. Also used by L1 PM sub-states
4			4	D0+	DIFFERENTIAL DATE 0+	4	PCIE TX+	
5	CD/DAT3	CARD DETECT/DATA LINE BIT3	5	NOT Used		5	PERST#	PE-Reset is a functional reset
6			6	D0-	DIFFERENTIAL DATE 0-	6	PCIE TX-	
7	CMD	COMMAND/RESPONSE	7	NOT Used		7	NOT Used	
8	CD	CARD DETECT	8	CD	CARD DETECT	8	CD	CARD DETECT
9	VSS1	SUPPLY VOLTAGE GROUND	9	VSS1	Supply voltage ground	9	VSS1	Supply voltage ground
10			10	VSS4	Supply voltage ground	10	VSS4	Supply voltage ground
11			11	VDD2	Supply voltage(1.8V)	11	VDD2	Supply voltage(1.8V)
12	VDD	SUPPLY VOLTAGE	12	VDD1	Supply voltage(3.3V)	12	VDD1	Supply voltage(3.3V)
13			13	D1-	DIFFERENTIAL DATE 1-	13	PCIE RX-	
14	CLK	CLOCK	14	NOT Used		14	NOT Used	
15			15	D1+	DIFFERENTIAL DATE 1+	15	PCIE RX+	
16	VSS2	SUPPLY VOLTAGE GROUND	16	VSS2	Supply voltage ground	16	VSS2	Supply voltage ground
17			17	VSS5	Supply voltage ground	17	VSS5	Supply voltage ground
18	DAT0	DATA LINE BIT0	18	RCLK+		18	REFCLK+	PCie Ref CLOCK
19			19			19	VDD3	Supply voltage(1.2V)-TBD
20	DAT1	DATA LINE BIT1	20	RCLK-		20	REFCLK-	PCie Ref CLOCK
21	WP	WRITE PROTECT	21	WP	WRITE PROTECT	21	WP	WRITE PROTECT

Specification

- 1 Current Rating :0.5A.
- 2 Voltage Rating :DC 5V
- 3 Ambient Temperature Range :-25°C~+85°C
- 4 Ambient Humidity Range :95% R.H. Max.
- 5 Contact Resistance:100mΩ max.
- 6 Insulation Resistance:1000MΩ min./500VDC
- 7 Durability:10,000 cycles



③	Shell	1	SUS	Ni Plated
②	Terminal	21	Phosphor Bronze	Au/Ni Plated
①	Housing	1	LCP	Black
ITEM	PART NAME	QTY.	MATERIAL	FINISHING

THESE DRAWINGS AND SPECIFICATIONS ARE THE PROPERTY OF SHENZHEN YUCHENG ELECTRONICS.LTD AND SHALL NOT BE REPRODUCED, COPIED OR USED IN ANY MANNER WITHOUT THE PRIOR WRITTEN CONSENT OF SHENZHEN YUCHENG ELECTRONICS.LTD

**UCHENG** 深圳市裕诚电子有限公司  
ELECTRONICS SHENZHEN YUCHENG ELECTRONICS CO.,LTD

APPROVED: WEI JIE  
CHECKED: HONG JIN  
DRAWING: YUN CHEN YA

GENERAL TOLERANCES		TITLE: SD卡座 耐高温数码板下型安防21P带开关	
30~以上	±0.30	PART NO:	SD-190Y
10~30	±0.25	WEBSITE:	www.ycelectron.com
5~10	±0.20	REV: A	UNIT: mm SCALE: / SHEET: A4
~ 5	±0.15		
SHEET: 1 / 1			