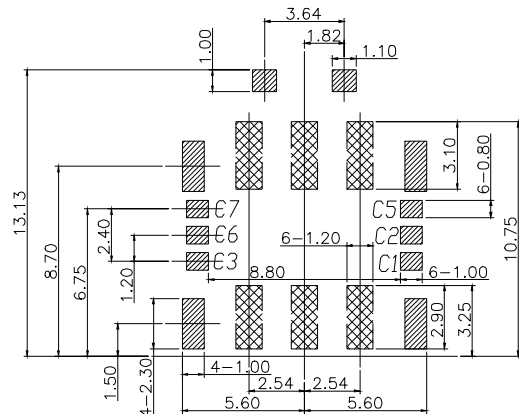


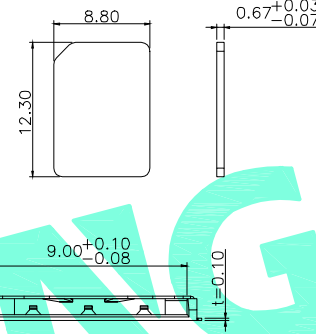
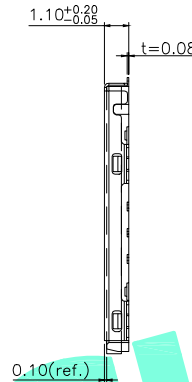
RoHS Compliant

REV. A/0	DESCRIPTION NEW	DESIGN CWF	DATE
----------	-----------------	------------	------



TOLERANCE: ±0.05

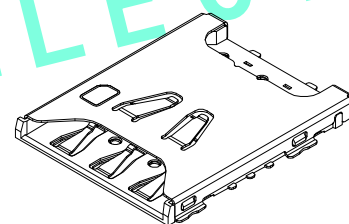
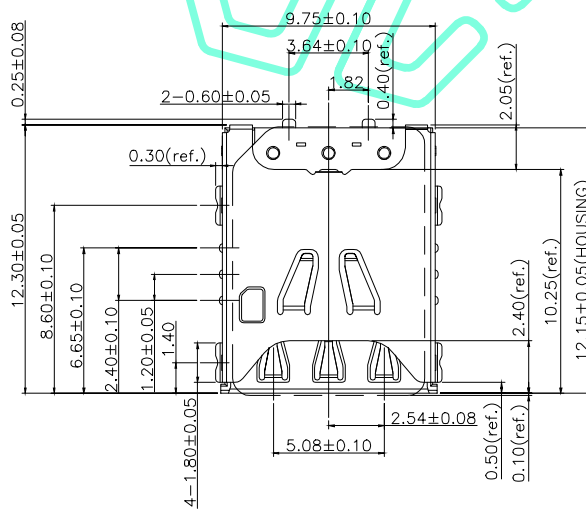
- Pad Area
- Via and Trace keepout Area
- PCB Edge



SIM CARD	
Pin No.	NAME
C1	VCC
C2	RST
C3	CLK
C5	GND
C6	VPP
C7	I/O

Specification:

- 1.Current rating: 0.5 A
- 2.Voltage rating: DC 5V
- 3.Dielectric strength:500V AC RMS for 1 minute.
- 4.Contact resistance:100mΩ max.
- 5.Insulator resistance:500MΩ min.at 250V DC.
- 6.Mating unmating cycles:1000 cycles



③	Shell	1	SUS	Ni Plated
②	Terminal	6	Copper Alloy	Au Plated
①	Housing	1	LCP	Black
ITEM	PART NAME	QTY.	MATERIAL	FINISHING

THESE DRAWINGS AND SPECIFICATIONS ARE THE PROPERTY OF SHENZHEN YUCHENG ELECTRONICS.LTD AND SHALL NOT BE REPRODUCED, COPIED OR USED IN ANY MANNER WITHOUT THE PRIOR WRITTEN CONSENT OF SHENZHEN YUCHENG ELECTRONICS.LTD

APPROVED: WEI JIE
 CHECKED: HONG JIN YUN
 DRAWING: CHEN YA

UCHENG ELECTRONICS 深圳市裕诚电子有限公司
 SHENZHEN YUCHENG ELECTRONICS CO.,LTD

GENERAL TOLERANCES
 30~以上 ±0.30
 10~30 ±0.25
 5~10 ±0.20
 ~ 5 ±0.15

TITLE: Nano SIM卡座 插拔式 6P 1.13H 双压
 PART NO: SIM-122Y
 WEBSITE: www.ycelectron.com
 REV: A UNIT: mm SCALE: / SHEET: A4

