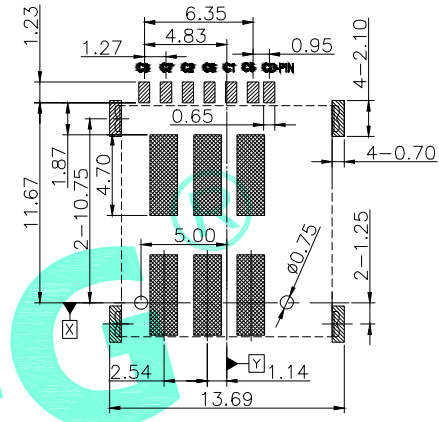
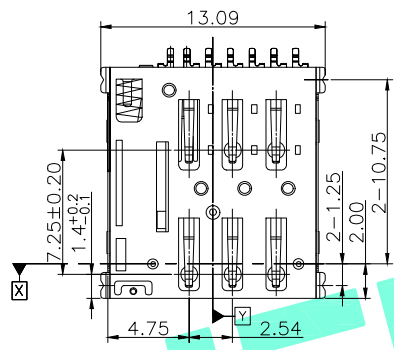
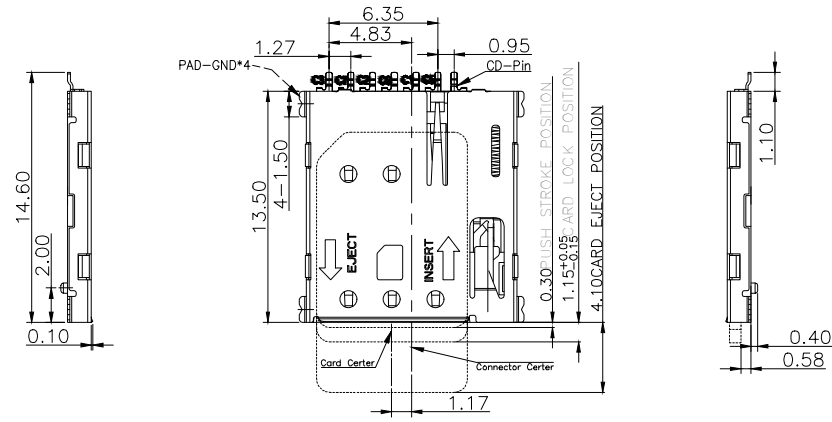


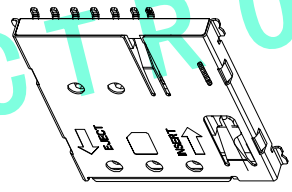
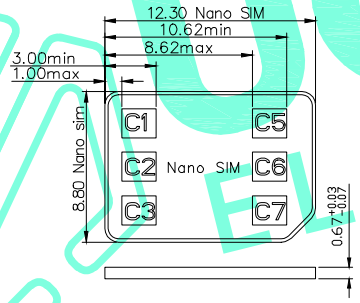
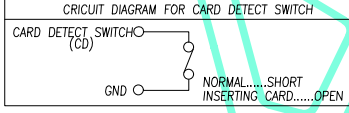
RoHS Compliant

REV. A/0	DESCRIPTION NEW	DESIGN CWF	DATE
----------	-----------------	------------	------



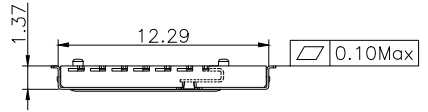
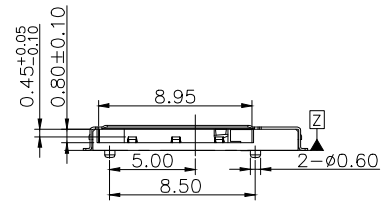
- PAD AREA
 - KEEP OUT AREA
 - GND PATTERN ONLY
 - NO COPPER AREA (NO Trace&Via&GND)
- RECOMMENDED PCB LAYOUT
GENERAL TOLERANCE ±0.05

PIN#	Name
C1	VCC供电电压
C2	RST重置
C3	CLK时钟
C5	GND接地
C6	VPP程序电压
C7	I/O输入输出



- Specification:
- Current rating: 0.5 A
 - Voltage rating: DC 5V
 - Dielectric strength: 500V AC RMS for 1 minute.
 - Contact resistance: 100mΩ max.
 - Insulator resistance: 500MΩ min. at 250V DC.
 - Mating unmating cycles: 3000 cycles

ITEM	PART NAME	QTY.	MATERIAL	FINISHING
③	Shell	1	SUS	Ni/Au Plated
②	Terminal	6	Copper alloy	Ni/Au Plated
①	Housing	1	LCP	Black



THESE DRAWINGS AND SPECIFICATIONS ARE THE PROPERTY OF SHENZHEN YUCHENG ELECTRONICS, LTD AND SHALL NOT BE REPRODUCED, COPIED OR USED IN ANY MANNER WITHOUT THE PRIOR WRITTEN CONSENT OF SHENZHEN YUCHENG ELECTRONICS, LTD

UCHENG 深圳市裕诚电子有限公司
ELECTRONICS SHENZHEN YUCHENG ELECTRONICS CO.,LTD

APPROVED:		WEI JIE		TITLE:		Nano SIM卡座小卡微卡 自弹式7P	
CHECKED: <td colspan="2">HONG JIN YUN <td colspan="2">PART NO: <td colspan="2">SIM-146Y</td> </td></td>		HONG JIN YUN <td colspan="2">PART NO: <td colspan="2">SIM-146Y</td> </td>		PART NO: <td colspan="2">SIM-146Y</td>		SIM-146Y	
DRAWING: <td colspan="2">CHEN YA <td colspan="2">WEBSITE: <td colspan="2">www.ycelectron.com</td> </td></td>		CHEN YA <td colspan="2">WEBSITE: <td colspan="2">www.ycelectron.com</td> </td>		WEBSITE: <td colspan="2">www.ycelectron.com</td>		www.ycelectron.com	
GENERAL TOLERANCES		30~以上 ±0.30		REV: A		UNIT: mm	
		10~30 ±0.25		SCALE: /		SHEET: A4	
		5~10 ±0.20		SHEET: 1 / 1		SHEET: A4	
		~ 5 ±0.15					