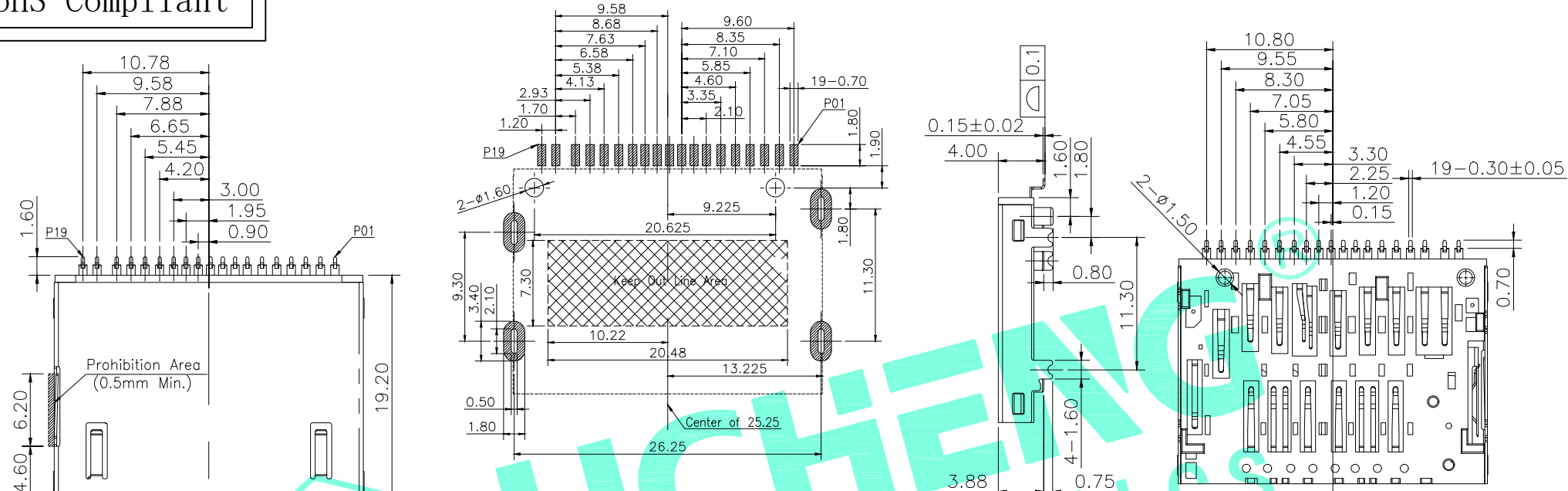


RoHS Compliant

| | | | |
|------|-------------|--------|------|
| REV. | DESCRIPTION | DESIGN | DATE |
| A/0 | NEW | CFW | |



Recommended PCB Layout
Tolerance : ± 0.05

- Note:
1. Current Rating :0.5A.
 2. Voltage Rating :DC 5V
 3. Dielectric Withstanding Voltage:AC500V r.m.s.
 4. Insulation Resistance:1000 Megohms
 5. Contact Resistance:100 mΩ Maximum.
 6. Mating Cycles:10,000 Cycles.
 7. Operating Temperature:-25°C~+85°C.
 8. Salty spray: 48H

| | |
|------------------------------|--|
| Card Uninsertion | |
| Card Write Protect insertion | |
| Card Normal insertion | |

| | | | | |
|------|-----------|------|-----------------|--------------|
| ③ | Shell | 1 | SUS | Au/Ni Plated |
| ② | Terminal | 19 | Phosphor Bronze | Au/Ni Plated |
| ① | Housing | 1 | LCP | Black |
| ITEM | PART NAME | QTY. | MATERIAL | FINISHING |

| Pin# | Name | Description | Pin# | Name | Description |
|------|---------|-------------------------------|------|------|-----------------------|
| P01 | VSS3 | Supply Voltage Ground | P11 | VDD1 | Supply Voltage (3.3V) |
| P02 | DAT2 | Data Line [Bit 2] | P12 | D1- | Deferential Data 1- |
| P03 | D0+ | Deferential Data 0+ | P13 | CLK | Clock |
| P04 | CD/DAT3 | Card Detect/Data Line [Bit 3] | P14 | D1+ | Deferential Data 1+ |
| P05 | D0- | Deferential Data 0- | P15 | VSS2 | Supply Voltage Ground |
| P06 | CMD | Command/Response | P16 | VSS5 | Supply Voltage Ground |
| P07 | CD | Card Detect | P17 | DAT0 | Data Line [Bit 0] |
| P08 | VSS1 | Supply Voltage Ground | P18 | DAT1 | Data Line [Bit 1] |
| P09 | VSS4 | Supply Voltage Ground | P19 | WP | Write Protect |
| P10 | VDD2 | Supply Voltage (1.8V) | | | |

THESE DRAWINGS AND SPECIFICATIONS ARE THE PROPERTY OF SHENZHEN YUCHENG ELECTRONICS.LTD AND SHALL NOT BE REPRODUCED, COPIED OR USED IN ANY MANNER WITHOUT THE PRIOR WRITTEN CONSENT OF SHENZHEN YUCHENG ELECTRONICS.LTD

APPROVED: WEI JIE
CHECKED: HONG JIN YUN
DRAWING: CHEN YA

UCHENG 深圳市裕诚电子有限公司
ELECTRONICS SHENZHEN YUCHENG ELECTRONICS CO.,LTD

GENERAL TOLERANCES
30~以上 ±0.30
10~30 ±0.25
5~10 ±0.20
~ 5 ±0.15

TITLE: SD卡座 4.0规格板上型易插拔19P
PART NO: SD-192Y
WEBSITE: www.ycelectron.com
REV: A UNIT: mm SCALE: / SHEET: A4