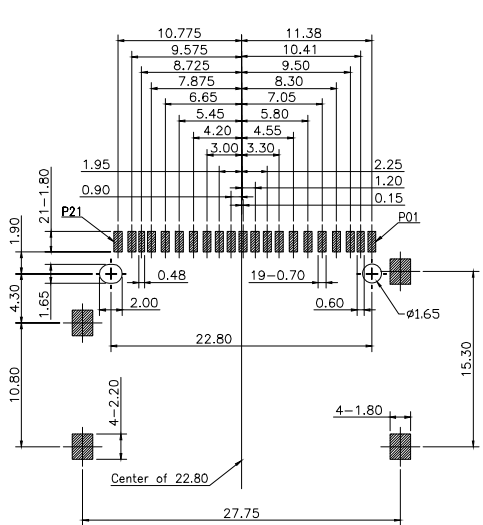
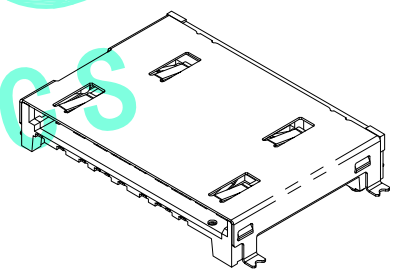
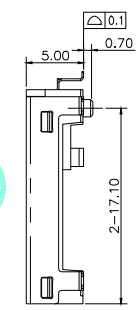
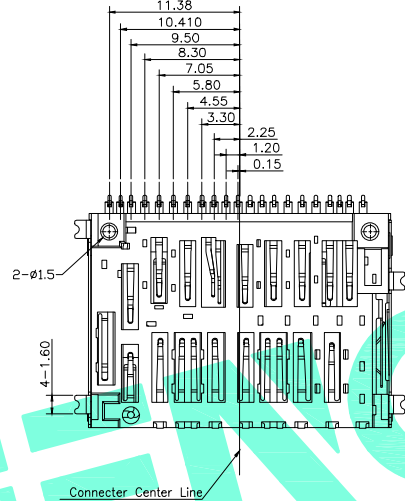
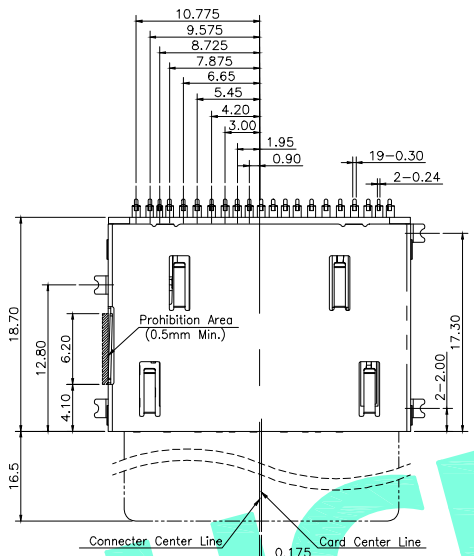


RoHS Compliant

REV. A/0	DESCRIPTION NEW	DESIGN CWF	DATE
----------	-----------------	------------	------



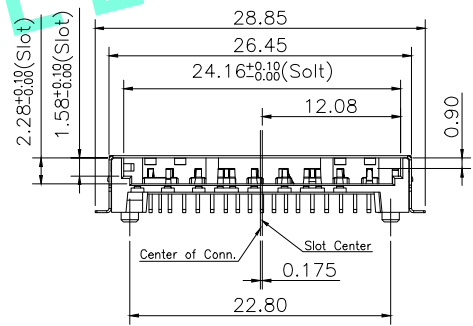
Recommended PCB Layout Top View (Tolerance ±0.05)



Specification

- 1 Current Rating :0.5A.
- 2 Voltage Rating :DC 5V
- 3 Ambient Temperature Range :-25°C~+85°C
- 4 Ambient Humidity Range :95% R.H. Max.
- 5 Contact Resistance:100mΩ max.
- 6 Insulation Resistance:1000MΩ min./500VDC
- 7 Durability:10,000 cycles

Pin No.	SD Mode		UHS-II Mode		SD Express Mode	
	Name	Discription	Name	Discription	Name	Discription
P01			VSS3	Supply Voltage Ground	VSS3	Supply Voltage Ground
P02				Reserved		Reserved area for future pad extension
P03	DAT2	Data Line [Bit 2]			CLKREQ#	Reference clock request signal. Also used by L1 PM sub-states
P04			D0+	Differential Data 0+	PCIe TX+	
P05	CD/DAT3	Card Detect / Data Line [Bit 3]			PERST#	PE-Reset is a functional reset
P06			D0-	Differential Data 0-	PCIe TX-	
P07	CMD	Command / Response				
P08	CD	Card Detect	CD	Card Detect	CD	Card Detect
P09	VSS1	Supply Voltage Ground	VSS1	Supply Voltage Ground	VSS1	Supply Voltage Ground
P10			VSS4	Supply Voltage Ground	VSS4	Supply Voltage Ground
P11			VDD2	Supply Voltage (1.8V)	VDD2	Supply Voltage (1.8V)
P12	VDD	Supply Voltage	VDD1	Supply Voltage (3.3V)	VDD1	Supply Voltage (3.3V)
P13			D1-	Differential Data 1-	PCIe RX-	
P14	CLK	Clock				
P15			D1+	Differential Data 1+	PCIe RX+	
P16	VSS2	Supply Voltage Ground	VSS2	Supply Voltage Ground	VSS2	Supply Voltage Ground
P17			VSS5	Supply Voltage Ground	VSS5	Supply Voltage Ground
P18	DAT0	Data Line [Bit 0]	RCLK+		REFCLK+	PCIe Ref Clock
P19					VDD3	Supply Voltage (1.2V)-TBD
P20	DAT1	Data Line [Bit 1]	RCLK-		REFCLK-	PCIe Ref Clock
P21	WP	Write Protect	WP	Write Protect	WP	Write Protect



Card Uninsertion	
Card Write Protect insertion	
Card Normal insertion	

③	Shell	1	SUS	Ni Plated
②	Terminal	21	Phosphor Bronze	Au/Ni Plated
①	Housing	1	LCP	Black
ITEM	PART NAME	QTY.	MATERIAL	FINISHING

THESE DRAWINGS AND SPECIFICATIONS ARE THE PROPERTY OF SHENZHEN YUCHENG ELECTRONICS, LTD AND SHALL NOT BE REPRODUCED, COPIED OR USED IN ANY MANNER WITHOUT THE PRIOR WRITTEN CONSENT OF SHENZHEN YUCHENG ELECTRONICS, LTD

APPROVED: WEI JIE
 CHECKED: HONG JIN
 DRAWING: YUN CHEN YA

UCHENG ELECTRONICS 深圳市裕诚电子有限公司
 SHENZHEN YUCHENG ELECTRONICS CO.,LTD

GENERAL TOLERANCES

30~以上	±0.30
10~30	±0.25
5~10	±0.20
~ 5	±0.15

TITLE: SD卡座 耐高温带开关高速21P
 PART NO: SD-173Y
 WEBSITE: www.ycelectron.com
 REV: A UNIT: mm SCALE: / SHEET: A4