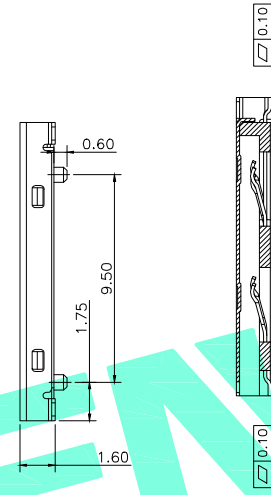
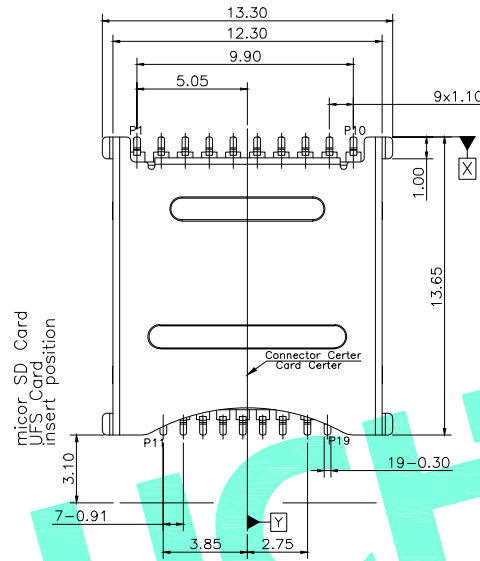
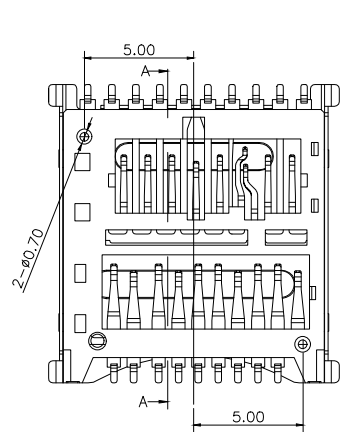


RoHS Compliant

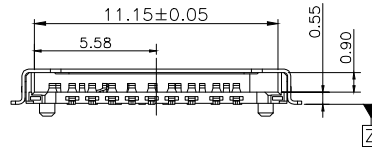
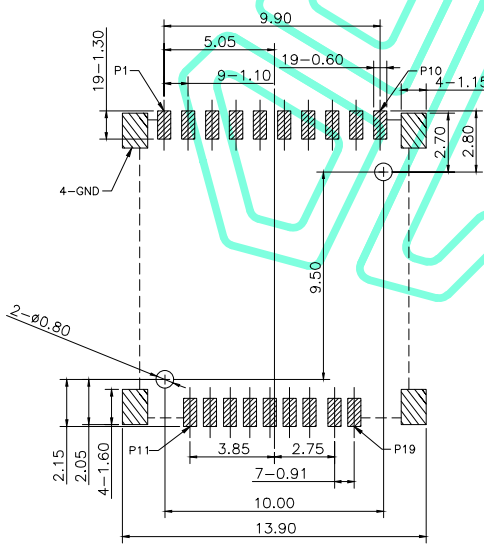
REV. A/0	DESCRIPTION NEW	DESIGN CWF	DATE
----------	-----------------	------------	------



Pin No.	microSD	UFS	UHS-II microSD
P1	VSS	VSS	VSS
P2	8-DAT1		8-RCLK-
P3	7-DAT0		7-RCLK+
P4	6-CD	11-CD	6-CD
P5	5-CLK		5-Not used
P6	4-VDD	12-VCC	4-VDD1(3.3V)
P7	3-CMD		3-Not used
P8	2-DAT3		2-Not used
P9	1-DAT2		1-Not used
P10	VSS	1-VSS	16-VSS
P11		2-DIN_C	15-D1+
P12		3-DIN_T	14-D1-
P13		4-VSS	13-VSS
P14		5-DOUT_C	12-D0-
P15		6-DOUT_T	11-D0+
P16		7-VSS	10-VSS
P17		8-REF_CLK	
P18		9-VCCQ2	9-VDD2(1.8V)
P19	VSS	10-VSS	VSS

Specification

- 1 Current Rating :0.5A.
- 2 Voltage Rating :DC 5V
- 3 Ambient Temperature Range : -25°C~+85°C
- 4 Ambient Humidity Range :95% R.H. Max.
- 5 Contact Resistance:100mΩ max.
- 6 Insulation Resistance:1000MΩ min./500VDC
- 7 Durability:10,000 cycles



RECOMMEND P.C.B LAYOUT
(General tolerance ±0.05)

PAD AREA
 KEEP OUT AREA
 GND PATTERN ONLY

THESE DRAWINGS AND SPECIFICATIONS ARE THE PROPERTY OF SHENZHEN YUCHENG ELECTRONICS, LTD. AND SHALL NOT BE REPRODUCED, COPIED OR USED IN ANY MANNER WITHOUT THE PRIOR WRITTEN CONSENT OF SHENZHEN YUCHENG ELECTRONICS, LTD.

APPROVED: WEI JIE
CHECKED: HONG JIN YUN
DRAWING: CHEN YA

UCHENG ELECTRONICS 深圳市裕诚电子有限公司
SHENZHEN YUCHENG ELECTRONICS CO.,LTD

GENERAL TOLERANCES		TITLE: Micro SD卡座 (TF+UFS+UHS) 三合一 耐高温10PIN	
30~以上	±0.30	PART NO:	SD-136Y
10~30	±0.25	WEBSITE:	www.ycelectron.com
5~10	±0.20	REV: A	UNIT: mm SCALE: / SHEET: A4
~ 5	±0.15		
SHEET: 1 / 1			