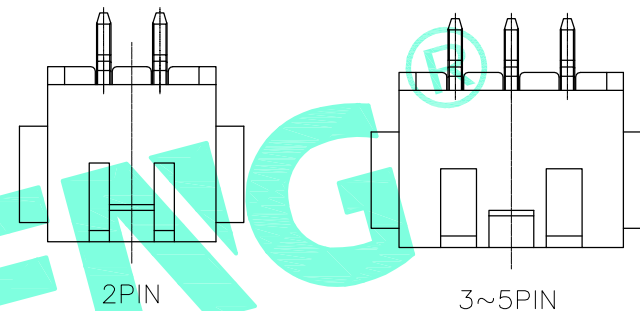
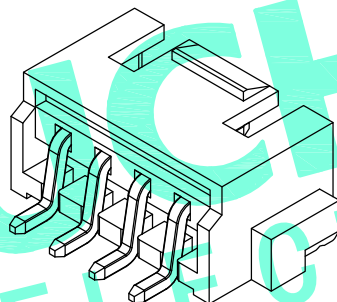
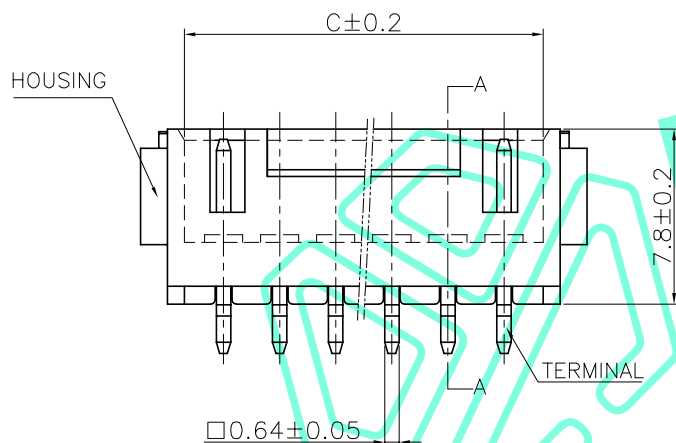
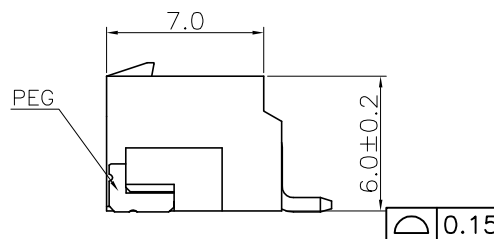
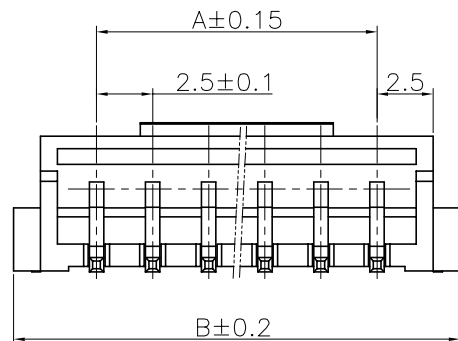


RoHS Compliant

REV. A/0	DESCRIPTION NEW	DESIGN CWF	DATE
-------------	--------------------	---------------	------

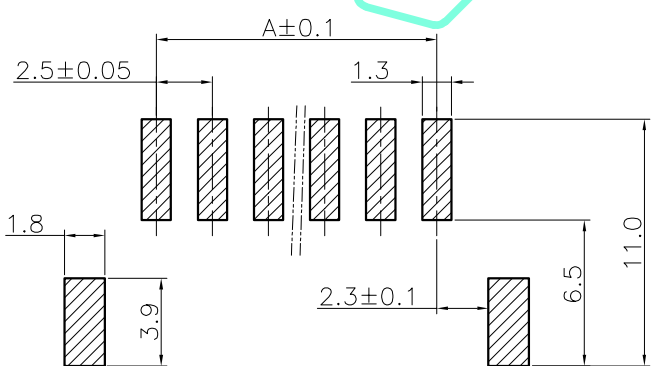


说明:

1. 产品表面清洁, 无锈蚀、氧化、裂纹、缺芯、毛刺、及其它机械损伤;
2. 塑胶材料: PA10T 颜色: 本色;
3. 金属材料: 黄铜, 镀锡;

Part No	Dimension		
	A	B	C
XHB-2AW	2.5	9.9	5.9
XHB-3AW	5.0	12.4	8.4
XHB-4AW	7.5	14.9	10.9
XHB-5AW	10.0	17.4	13.4
XHB-6AW	12.5	19.9	15.9
XHB-7AW	15.0	22.4	18.4
XHB-8AW	17.5	24.9	20.9
XHB-9AW	20.0	27.4	23.4
XHB-10AW	22.5	29.9	25.9
XHB-11AW	25.0	32.4	28.4
XHB-12AW	27.5	34.9	30.9
XHB-13AW	30.0	37.4	33.4
XHB-14AW	32.5	39.9	35.9
XHB-15AW	35.0	42.4	38.4
XHB-16AW	37.5	44.9	40.9

序号	名称	数量
1	底座	1
2	阳接触针	n
3	焊片	2



PCB LAYOUT  
TOL.: ±0.05

THESE DRAWINGS AND SPECIFICATIONS ARE THE PROPERTY OF SHENZHEN YUCHENG ELECTRONICS, LTD AND SHALL NOT BE REPRODUCED, COPIED OR USED IN ANY MANNER WITHOUT THE PRIOR WRITTEN CONSENT OF SHENZHEN YUCHENG ELECTRONICS, LTD

APPROVED: WEI JIE  
CHECKED: HONG JIN YUN  
DRAWING: CHEN YA

**UCHENG** ELECTRONICS 深圳市裕诚电子有限公司  
SHENZHEN YUCHENG ELECTRONICS CO.,LTD

GENERAL TOLERANCES	TITLE:	XHB-AW型连接器		
>0-3 ±0.15	PART NO:	2.5卧式贴片-Part No		
>3-18 ±0.2	WEBSITE:	www.ycelectron.com		
>18-50 ±0.35	REV: A	UNIT: mm	SCALE: /	SHEET: A4
>50-120 ±0.5	SHEET: 1 / 1			

