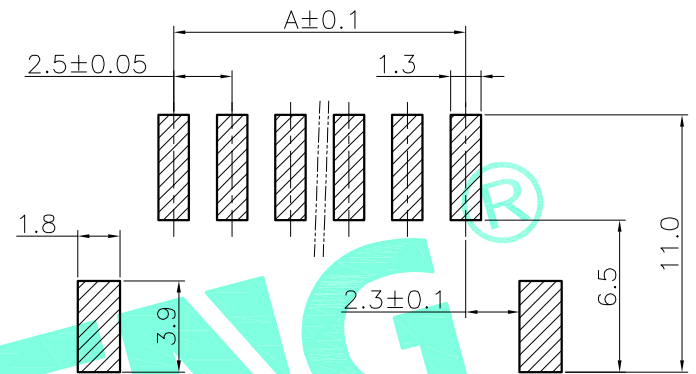
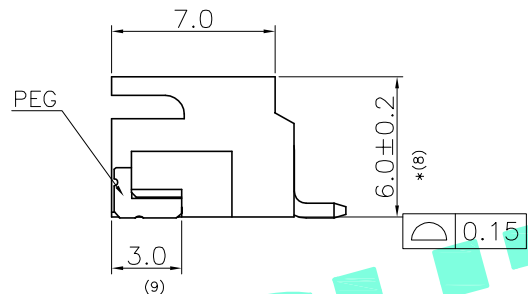
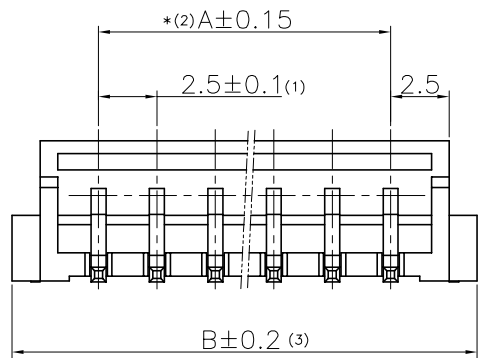
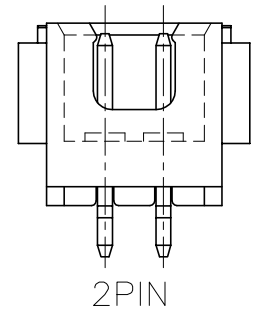
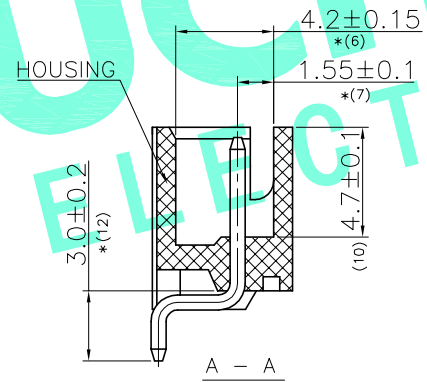
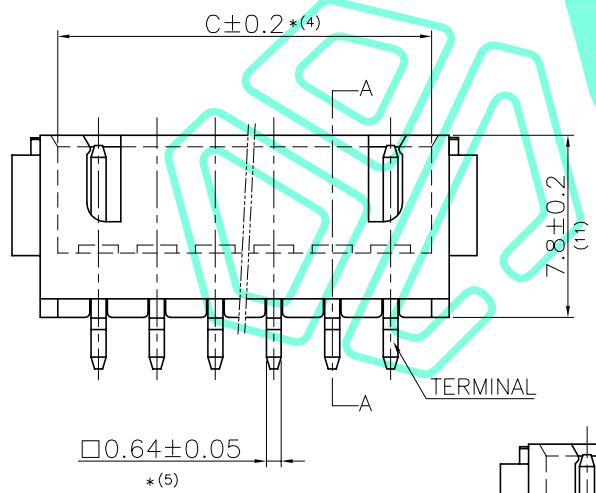


RoHS Compliant

REV. A/0	DESCRIPTION NEW	DESIGN CWF	DATE
-------------	--------------------	---------------	------



PCB LAYOUT
TOL.: ±0.05



NOTES:

- MATERIAL:
HOUSING:LCP NATURE
TERMINAL:BRASS
PEG:BRASS
- PLATING:
TIN OVER NICKEL
- RATING:
CURRENT RATING:3A DC/AC
VOLTAGE RATING:250V DC/AC
TEMPERATURE RANGE:-25~+85°C

No. of Contacts	Dimension		
	A	B	C
2	2.5	9.9	5.9
3	5.0	12.4	8.4
4	7.5	14.9	10.9
5	10.0	17.4	13.4
6	12.5	19.9	15.9
7	15.0	22.4	18.4
8	17.5	24.9	20.9
9	20.0	27.4	23.4
10	22.5	29.9	25.9
11	25.0	32.4	28.4
12	27.5	34.9	30.9
13	30.0	37.4	33.4
14	32.5	39.9	35.9
15	35.0	42.4	38.4
16	37.5	44.9	40.9

THESE DRAWINGS AND SPECIFICATIONS ARE THE PROPERTY OF SHENZHEN YUCHENG ELECTRONICS,LTD AND SHALL NOT BE REPRODUCED,COPIED OR USED IN ANY MANNER WITHOUT THE PRIOR WRITTEN CONSENT OF SHENZHEN YUCHENG ELECTRONICS,LTD

APPROVED: WEI JIE
CHECKED: HONG JIN YUN
DRAWING: CHEN YA

UCHENG® 深圳市裕诚电子有限公司
ELECTRONICS SHENZHEN YUCHENG ELECTRONICS CO.,LTD

GENERAL TOLERANCES	TITLE:	2.54mm卧贴		
X.±0.30 .±5°	PART NO:	TJC4-SMT-A		
.X±0.25 .X±3°	WEBSITE:	www.ycelectron.com		
.XX±0.20 .XX±1°	REV: A	UNIT: mm	SCALE: /	SHEET: A4

SHEET: 1 / 1