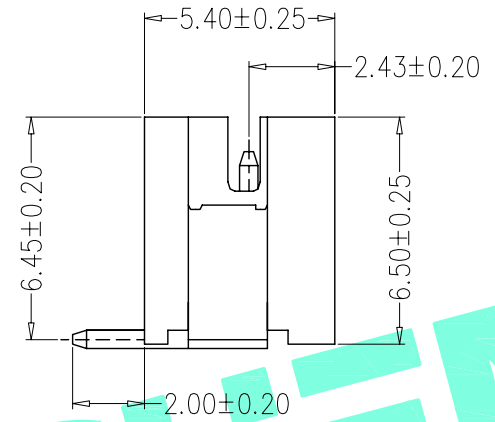
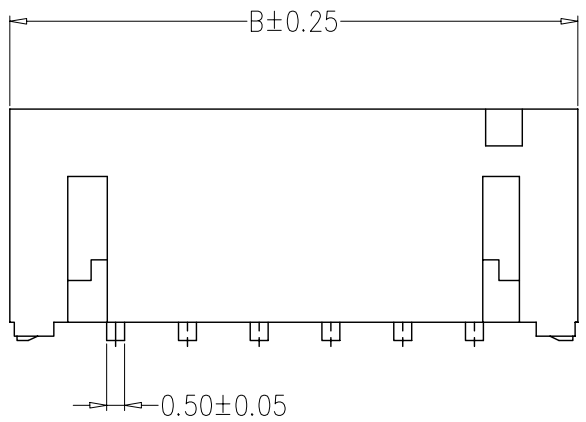


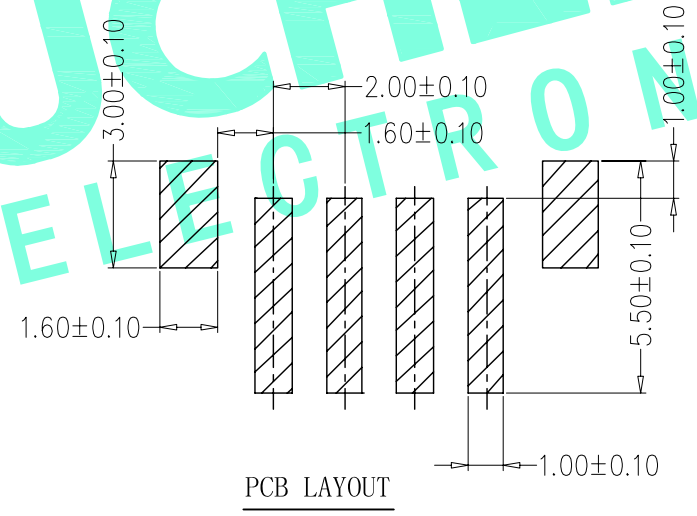
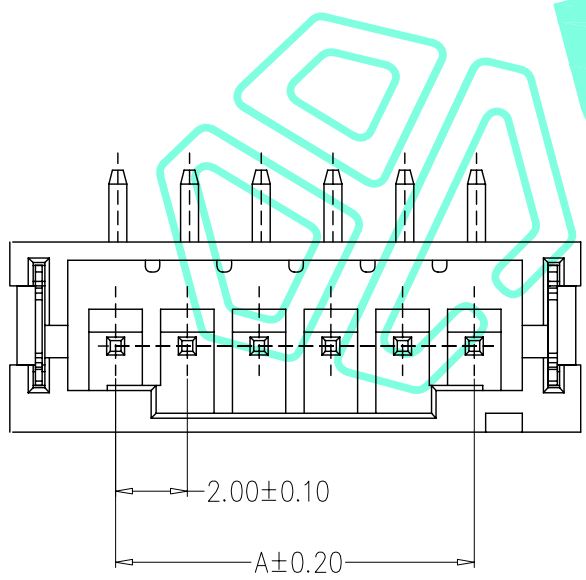
RoHS Compliant

REV. A/0	DESCRIPTION NEW	DESIGN CWF	DATE
----------	-----------------	------------	------



SPECIFICATIONS

- 1、Current Rating: 2A AC, DC
- 2、Voltage Rating: 100V AC, DC
- 3、Temperatuer Range: -25°C~+85°C
- 4、Contact Resistance: 10mΩ Max
- 5、Insulation Resistance: 1000mΩ Min
- 6、Withstanding Voltang: 800V AC/minute
- 7、Material: Wafer Nylon 9T, UL94V-0  
PIN Brass Tin-plated  
Solder tads Phosphoric copper Tin-plated



编号	尺寸 (mm)	
	A	B
A2001LF-02A	2.00	8.00
A2001LF-03A	4.00	10.00
A2001LF-04A	6.00	12.00
A2001LF-05A	8.00	14.00
A2001LF-06A	10.00	16.00
A2001LF-07A	12.00	18.00
A2001LF-08A	14.00	20.00
A2001LF-09A	16.00	22.00
A2001LF-10A	18.00	24.00
A2001LF-11A	20.00	26.00
A2001LF-12A	22.00	28.00
A2001LF-15A	28.00	34.00

THESE DRAWINGS AND SPECIFICATIONS ARE THE PROPERTY OF SHENZHEN YUCHENG ELECTRONICS, LTD AND SHALL NOT BE REPRODUCED, COPIED OR USED IN ANY MANNER WITHOUT THE PRIOR WRITTEN CONSENT OF SHENZHEN YUCHENG ELECTRONICS, LTD

APPROVED: WEI JIE  
CHECKED: HONG JIN YUN  
DRAWING: CHEN YA

**UCHENG** ELECTRONICS 深圳市裕诚电子有限公司  
SHENZHEN YUCHENG ELECTRONICS CO.,LTD

GENERAL TOLERANCES	TITLE: VII端子
X:±0.25 X':±2"	PART NO: A3961-T
.X:±0.20 .X':±1"	WEBSITE: www.ycelectron.com
.XX:±0.15 .XX':±0.5"	REV: A UNIT: mm SCALE: / SHEET: A4
.XXX:±0.10 .XXX':±0.5"	SHEET: 1 / 1