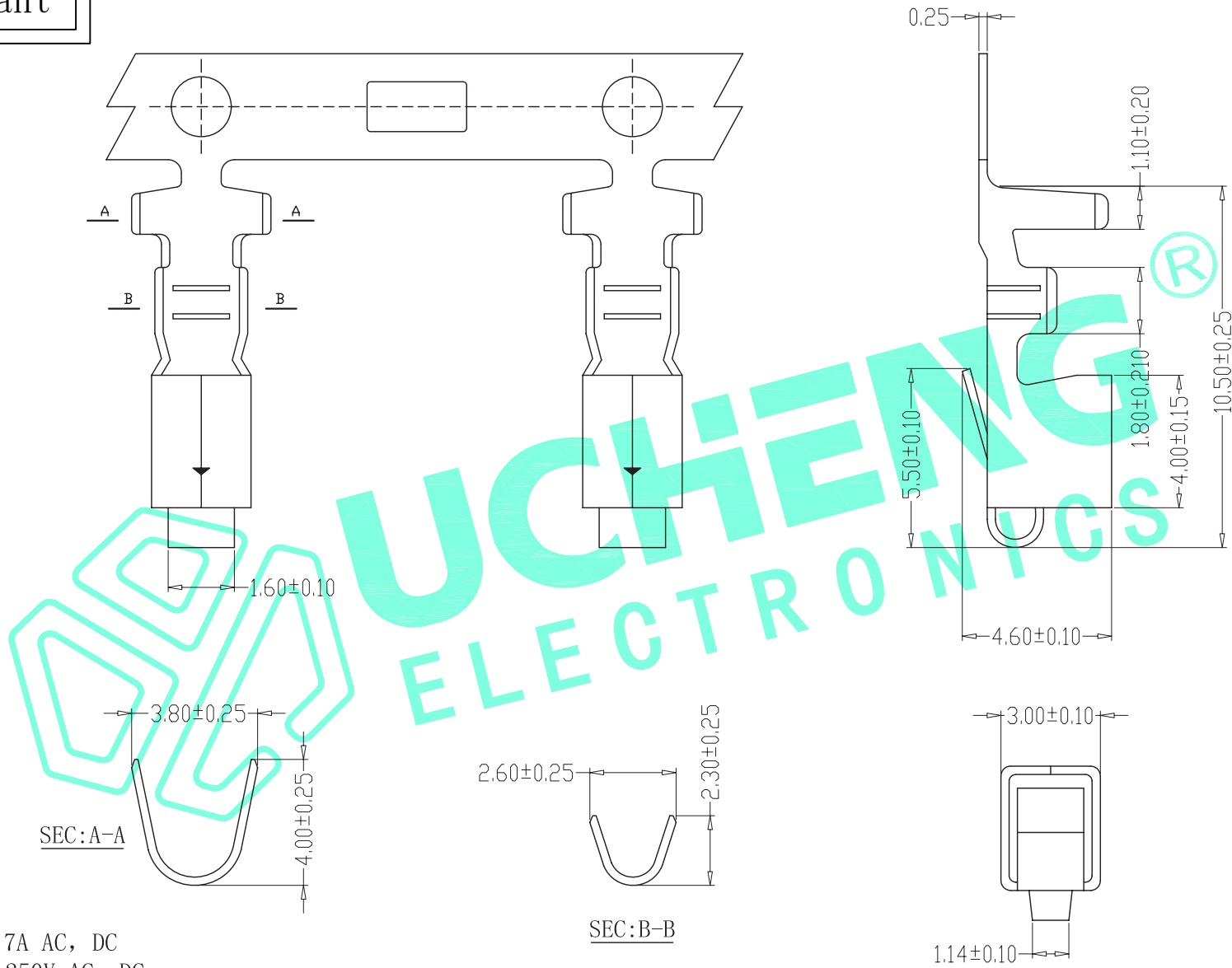


RoHS Compliant

REV. A/0	DESCRIPTION NEW	DESIGN CWF	DATE
-------------	--------------------	---------------	------



SPECIFICATIONS

- 1、Current Rating: 7A AC, DC
- 2、Voltage Rating: 250V AC, DC
- 3、Temperatuer Range: -25℃~+85℃
- 4、Contact Resistance: 20mΩ Max
- 5、Insulation Resistance: 1000MΩ Min
- 6、Withstanding Voltang: 1500V AC/minute
- 7、Material:Phosphoric bronze Tin-plated
- 8、Applicable Wire Sizes:AWG#16~22#

THESE DRAWINGS AND SPECIFICATIONS ARE THE PROPERTY OF SHENZHEN YUCHENG ELECTRONICS.,LTD.AND SHALL NOT BE REPRODUCED,COPIED OR USED IN ANY MANNER WITHOUT THE PRIOR WRITTEN CONSENT OF SHENZHEN YUCHENG ELECTRONICS.,LTD

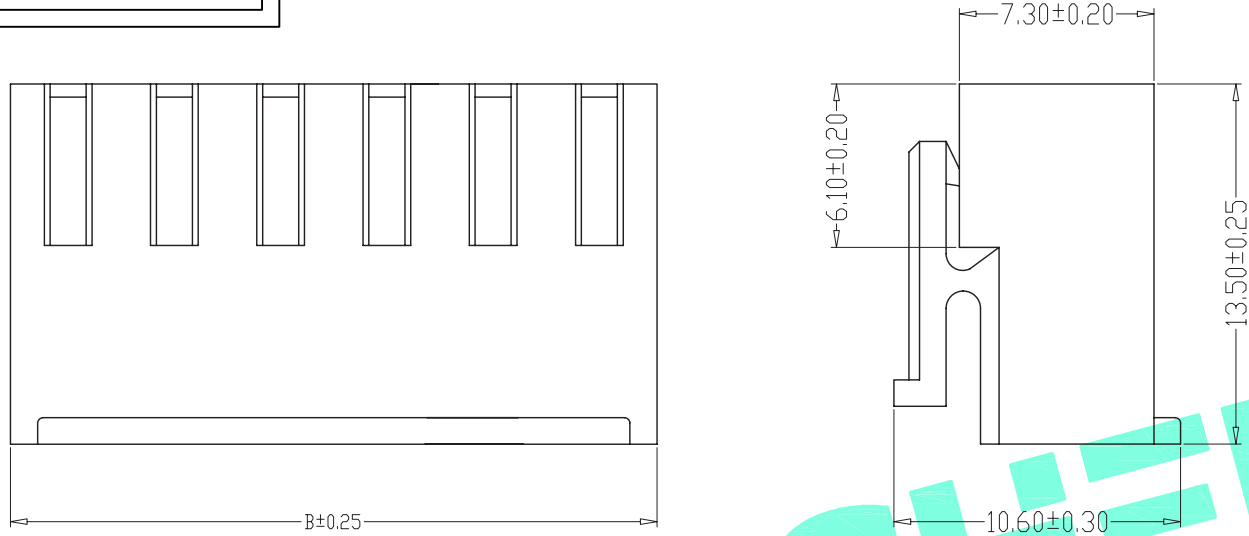
UCHENG® 深圳市裕诚电子有限公司
ELECTRONICS SHENZHEN YUCHENG ELECTRONICS CO.,LTD

APPROVED:	WEI JIE
CHECKED:	HONG JIN YUN
DRAWING:	CHEN YA

GENERAL TOLERANCES	TITLE:	VH端子		
X.±0.25	X'±2°	PART NO:	A3961-T	
.X±0.20	.X'±1°	WEBSITE :	www.ycelectron.com	
.XX±0.15	.XX'±0.5°	REV: A	UNIT: mm	SCALE: /
.XXX±0.10	.XXX'±0.5°	SHEET: 1 / 1	SHEET: A4	☉

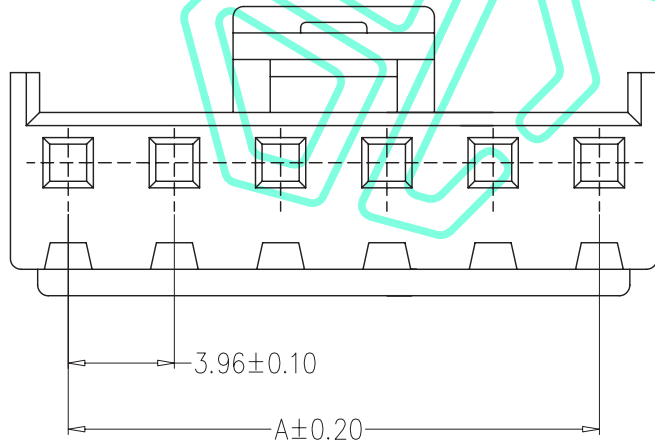
RoHS Compliant

REV. A/0	DESCRIPTION NEW	DESIGN CWF	DATE
-------------	--------------------	---------------	------



SPECIFICATIONS

- 1、Current Rating: 7A AC, DC
- 2、Voltage Rating: 250V AC, DC
- 3、Temperatuer Range: -25℃~+85℃
- 4、Contact Resistance: 20mΩ Max
- 5、Insulation Resistance: 1000MΩ Min
- 6、Withstanding Voltang: 1500 AC/minute
- 7、Material:Housing:Nylon66, UL94V-0



编 号	尺寸 (mm)	
	A	B
A3961-02Y	3.96	8.02
A3961-03Y	7.92	11.98
A3961-04Y	11.88	15.94
A3961-05Y	15.84	19.90
A3961-06Y	19.80	23.86
A3961-07Y	23.76	27.82
A3961-08Y	27.72	31.78
A3961-09Y	31.68	35.74
A3961-10Y	35.64	39.70
A3961-11Y	39.60	43.66
A3961-12Y	43.56	47.62

THESE DRAWINGS AND SPECIFICATIONS ARE THE PROPERTY OF SHENZHEN YUCHENG ELECTRONICS,LTD.AND SHALL NOT BE REPRODUCED,COPIED OR USED IN ANY MANNER WITHOUT THE PRIOR WRITTEN CONSENT OF SHENZHEN YUCHENG ELECTRONICS.,LTD

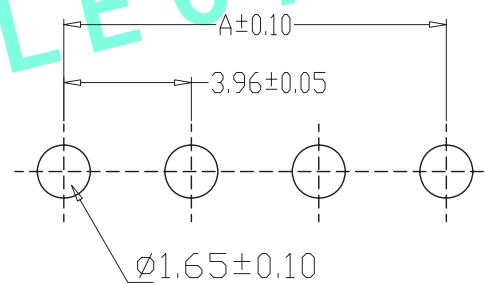
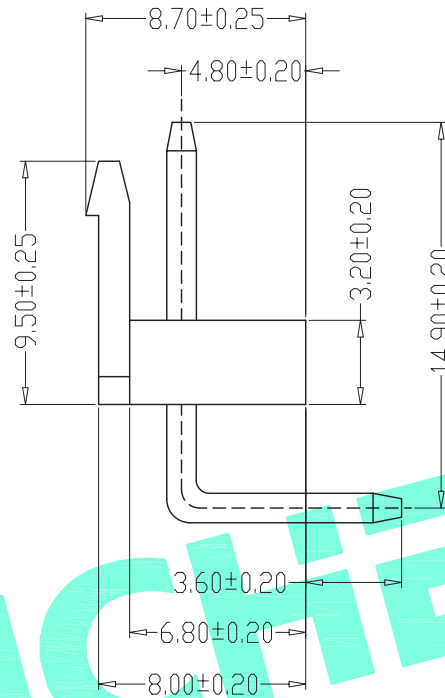
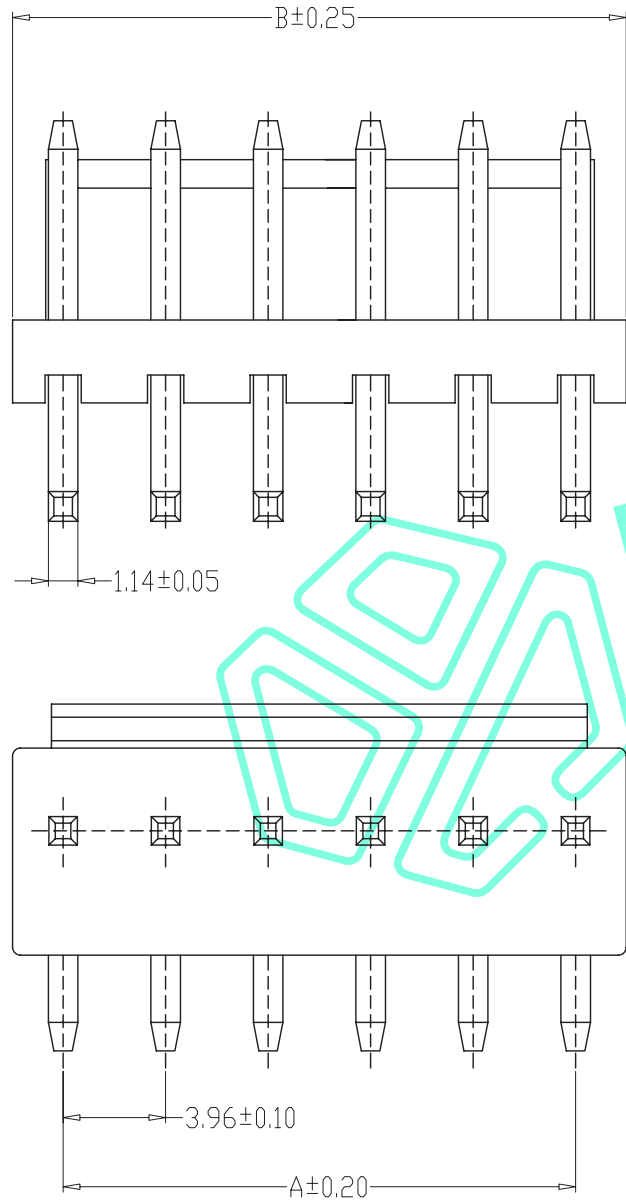


深圳市裕诚电子有限公司
SHENZHEN YUCHENG ELECTRONICS CO.,LTD

APPROVED:	WEI JIE	GENERAL TOLERANCES	TITLE:	VH孔座			
CHECKED:	HONG JIN YUN	.X±0.25 .X*±2°	PART NO:	A3961-NY			
DRAWING:	CHEN YA	.X±0.20 .X*±1°	WEBSITE :	www.ycelectron.com			
		.XX±0.15 .XX*±0.5°	REV: A	UNIT: mm	SCALE: /	SHEET: A4	☉
		.XXX±0.10 .XXX*±0.5°	SHEET: 1 / 1				

RoHS Compliant

REV.	DESCRIPTION	DESIGN	DATE
A/0	NEW	CWF	



PCB LAYOUT

SPECIFICATIONS

- 1、Current Rating: 7A AC, DC
- 2、Voltage Rating: 250V AC, DC
- 3、Temperatuer Range: $-25^{\circ}\text{C} \sim +85^{\circ}\text{C}$
- 4、Contact Resistance: $20\text{m}\Omega$ Max
- 5、Insulation Resistance: $1000\text{M}\Omega$ Min
- 6、Withstanding Voltang: 1500V AC/minute
- 7、Material: Wafer Nylon66, UL94V-0
PIN Brass Tin-plated

编号	尺寸 (mm)	
	A	B
A3961-02AWG	3.96	7.92
A3961-03AWG	7.92	11.88
A3961-04AWG	11.88	15.84
A3961-05AWG	15.84	19.80
A3961-06AWG	19.80	23.76
A3961-07AWG	23.76	27.72
A3961-08AWG	27.72	31.68
A3961-09AWG	31.68	35.64
A3961-10AWG	35.64	39.60
A3961-11AWG	39.60	43.56
A3961-12AWG	43.56	47.52

THESE DRAWINGS AND SPECIFICATIONS ARE THE PROPERTY OF SHENZHEN YUCHENG ELECTRONICS,LTD.AND SHALL NOT BE REPRODUCED,COPIED OR USED IN ANY MANNER WITHOUT THE PRIOR WRITTEN CONSENT OF SHENZHEN YUCHENG ELECTRONICS,LTD



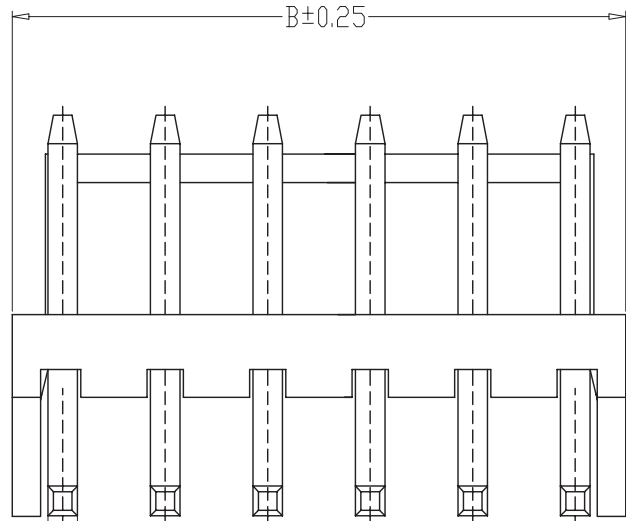
深圳市裕诚电子有限公司
SHENZHEN YUCHENG ELECTRONICS CO.,LTD

APPROVED:	WEI JIE
CHECKED:	HONG JIN YUN
DRAWING:	CHEN YA

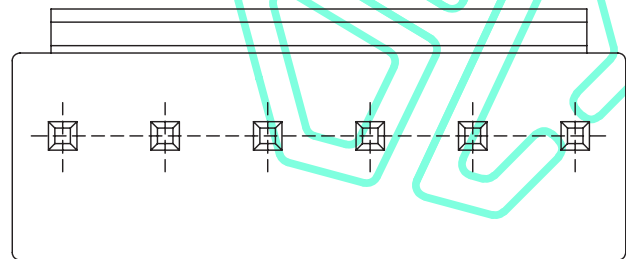
GENERAL TOLERANCES		TITLE:	VH高弯 WAFER DIP TYPE		
$X \pm 0.25$	$X' \pm 2'$	PART NO:	A3961-NAWG		
$.X \pm 0.20$	$.X' \pm 1'$	WEBSITE :	www.ycelectron.com		
$.XX \pm 0.15$	$.XX' \pm 0.5'$	REV: A	UNIT: mm	SCALE: /	SHEET: A4
$.XXX \pm 0.10$	$.XXX' \pm 0.5'$	SHEET: 1 / 1			

RoHS Compliant

REV. A/0	DESCRIPTION NEW	DESIGN CWF	DATE
-------------	--------------------	---------------	------

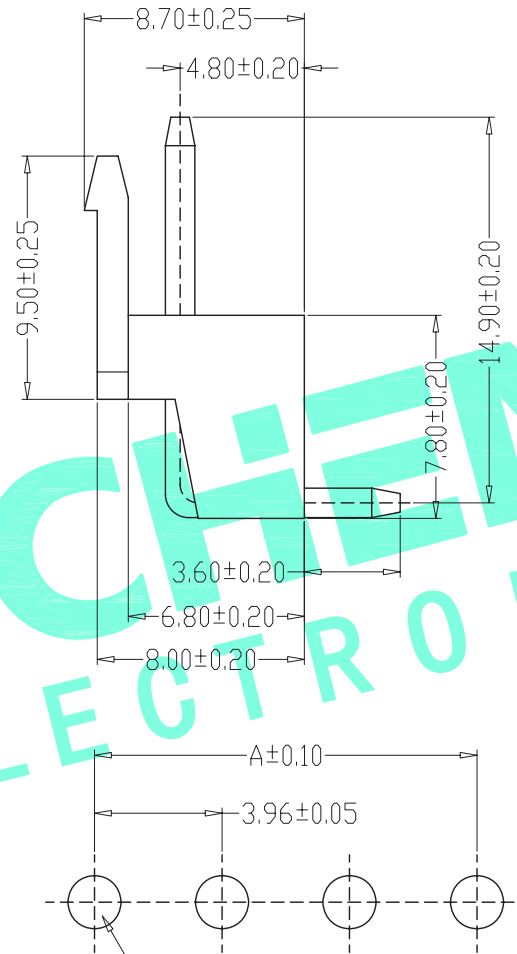


1.14±0.05



3.96±0.10

A±0.20



PCB LAYOUT

SPECIFICATIONS

- 1、Current Rating: 7A AC, DC
- 2、Voltage Rating: 250V AC, DC
- 3、Temperatuer Range: -25°C~+85°C
- 4、Contact Resistance: 20mΩ Max
- 5、Insulation Resistance: 1000MΩ Min
- 6、Withstanding Voltang: 1500V AC/minute
- 7、Material:Wafer Nylon66, UL94V-0
PIN Brass Tin-plated

编号	尺寸 (mm)	
	A	B
A3961-02AWGD	3.96	7.92
A3961-03AWGD	7.92	11.88
A3961-04AWGD	11.88	15.84
A3961-05AWGD	15.84	19.80
A3961-06AWGD	19.80	23.76
A3961-07AWGD	23.76	27.72
A3961-08AWGD	27.72	31.68
A3961-09AWGD	31.68	35.64
A3961-10AWGD	35.64	39.60
A3961-11AWGD	39.60	43.56
A3961-12AWGD	43.56	47.52

THESE DRAWINGS AND SPECIFICATIONS ARE THE PROPERTY OF SHENZHEN YUCHENG ELECTRONICS,LTD.AND SHALL NOT BE REPRODUCED,COPIED OR USED IN ANY MANNER WITHOUT THE PRIOR WRITTEN CONSENT OF SHENZHEN YUCHENG ELECTRONICS,LTD



深圳市裕诚电子有限公司
SHENZHEN YUCHENG ELECTRONICS CO.,LTD

APPROVED:	WEI JIE
CHECKED:	HONG JIN YUN
DRAWING:	CHEN YA

GENERAL TOLERANCES	TITLE:	VH高弯定位 WAFER DIP TYPE		
X±0.25 X'±2"	PART NO:	A3961-NAWGD		
.X±0.20 .X'±1"	WEBSITE :	www.ycelectron.com		
.XX±0.15 .XX'±0.5"	REV: A	UNIT: mm	SCALE: /	SHEET: A4
.XXX±0.10 .XXX'±0.5"	SHEET: 1 / 1			