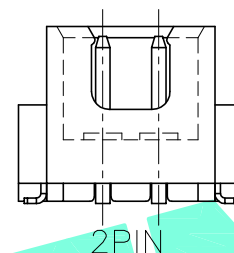
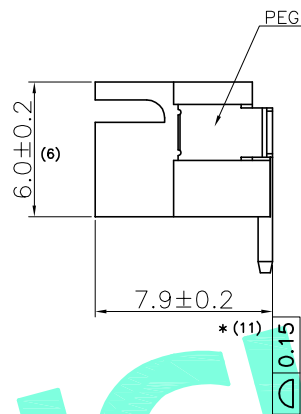
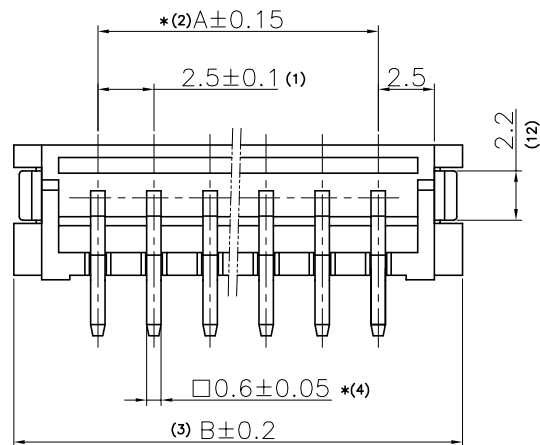


RoHS Compliant

REV. A/0	DESCRIPTION NEW	DESIGN CWF	DATE
-------------	--------------------	---------------	------



NOTES:

1.MATERIAL:

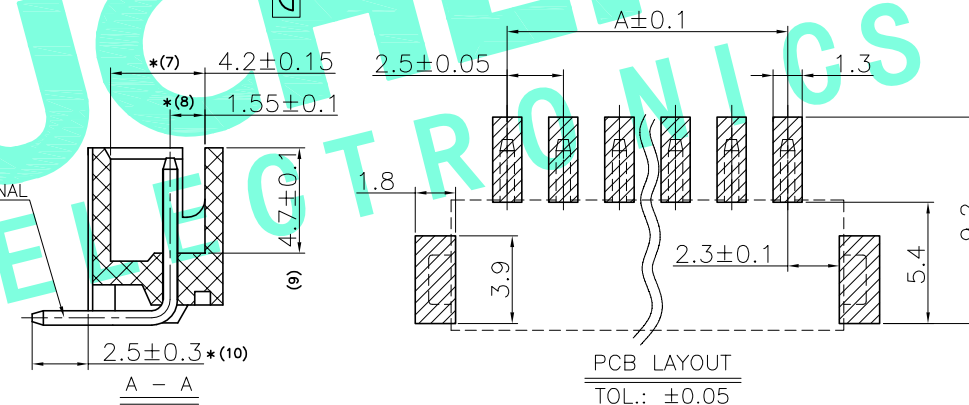
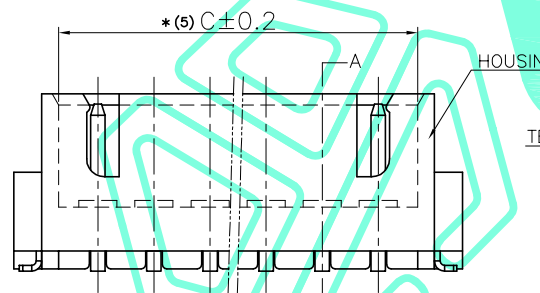
HOUSING:LCP NATURE  
 TERMINAL:BRASS  
 PEG: BRASS

2.PLATING:

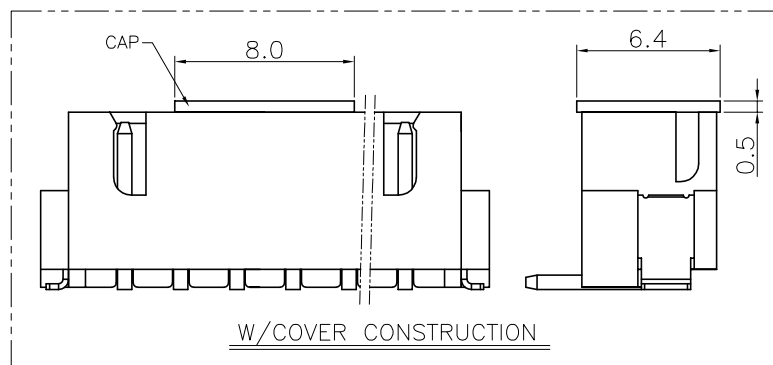
TIN OVER NICKEL

3.RATING:

CURRENT RATING:3A DC/AC  
 VOLTAGE RATING:250V DC/AC  
 TEMPERATURE RANGE:-25~+85°C



No. of Contacts	Dimension		
	A	B	C
2	2.5	9.9	5.9
3	5.0	12.4	8.4
4	7.5	14.9	10.9
5	10.0	17.4	13.4
6	12.5	19.9	15.9
7	15.0	22.4	18.4
8	17.5	24.9	20.9
9	20.0	27.4	23.4
10	22.5	29.9	25.9
11	25.0	32.4	28.4
12	27.5	34.9	30.9
13	30.0	37.4	33.4
14	32.5	39.9	35.9
15	35.0	42.4	38.4
16	37.5	44.9	40.9



THESE DRAWINGS AND SPECIFICATIONS ARE THE PROPERTY OF SHENZHEN YUCHENG ELECTRONICS, LTD AND SHALL NOT BE REPRODUCED, COPIED OR USED IN ANY MANNER WITHOUT THE PRIOR WRITTEN CONSENT OF SHENZHEN YUCHENG ELECTRONICS, LTD

**UCHENG ELECTRONICS** 深圳市裕诚电子有限公司  
 SHENZHEN YUCHENG ELECTRONICS CO.,LTD

APPROVED:	WEI JIE	GENERAL TOLERANCES	TITLE:	2.54立贴		
CHECKED:	HONG JIN YUN	X.±0.30 X.±5'	PART NO:	TJC3-SMT-A		
DRAWING:	CHEN YA	.X±0.25 .X±3'	WEBSITE:	www.ycelectron.com		
		.XX±0.20 .XX±1'	REV: A	UNIT: mm	SCALE: /	SHEET: A4

SHEET: 1 / 1