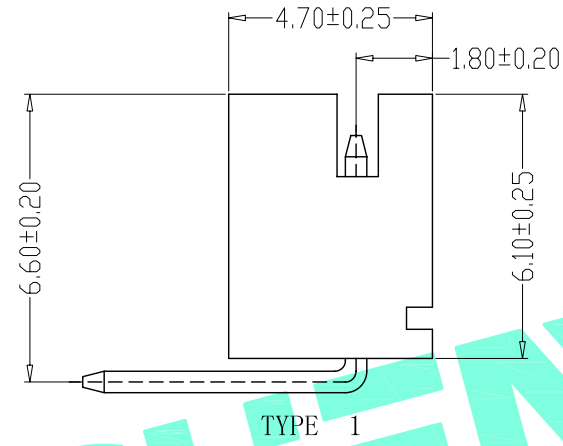
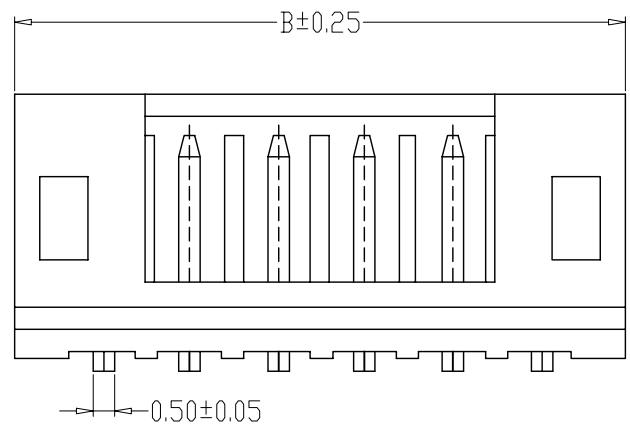
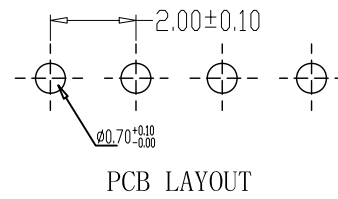
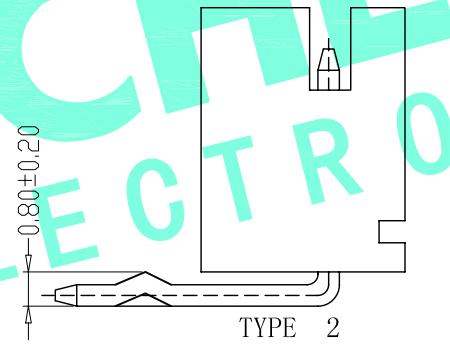
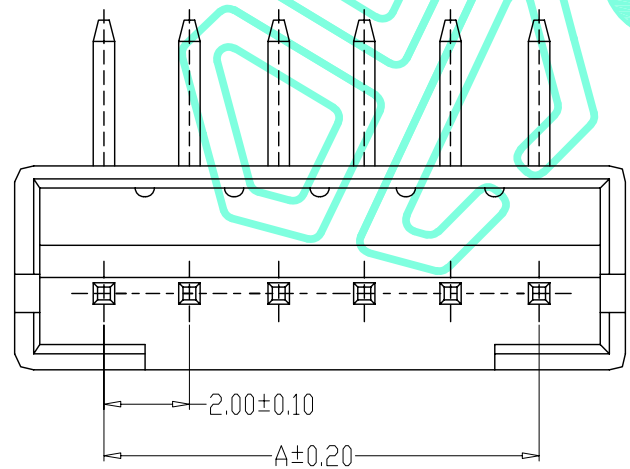


RoHS Compliant

REV. A/0	DESCRIPTION NEW	DESIGN CWF	DATE
-------------	--------------------	---------------	------



- SPECIFICATIONS
- 1、Current Rating: 2A AC, DC
  - 2、Voltage Rating: 100V AC, DC
  - 3、Temperatuer Range:  $-25^{\circ}\text{C} \sim +85^{\circ}\text{C}$
  - 4、Contact Resistance:  $10\text{m}\Omega$  Max
  - 5、Insulation Resistance:  $1000\text{m}\Omega$  Min
  - 6、Withstanding Voltang: 800V AC/minute
  - 7、Material: Wafer Nylon66, UL94V-0  
PIN Brass Tin-plated



编 号	尺寸 (mm)	
	A	B
A2001WR-02A	2.00	6.00
A2001WR-03A	4.00	8.00
A2001WR-04A	6.00	10.00
A2001WR-05A	8.00	12.00
A2001WR-06A	10.00	14.00
A2001WR-07A	12.00	16.00
A2001WR-08A	14.00	18.00
A2001WR-09A	16.00	20.00
A2001WR-10A	18.00	22.00
A2001WR-11A	20.00	24.00
A2001WR-12A	22.00	26.00
A2001WR-15A	28.00	32.00

THESE DRAWINGS AND SPECIFICATIONS ARE THE PROPERTY OF SHENZHEN YUCHENG ELECTRONICS, LTD. AND SHALL NOT BE REPRODUCED, COPIED OR USED IN ANY MANNER WITHOUT THE PRIOR WRITTEN CONSENT OF SHENZHEN YUCHENG ELECTRONICS, LTD.

APPROVED: WEI JIE  
 CHECKED: HONG JIN YUN  
 DRAWING: CHEN YA

**UCHENG** 深圳市裕诚电子有限公司  
 ELECTRONICS SHENZHEN YUCHENG ELECTRONICS CO.,LTD

GENERAL TOLERANCES	TITLE:	PH弯针座		
$X \pm 0.25$	$X \times 2^{\circ}$	PART NO:	A2001WR-NA	
$.X \pm 0.20$	$.X \pm 1^{\circ}$	WEBSITE:	www.ycelectron.com	
$.XX \pm 0.15$	$.XX' \pm 0.5^{\circ}$	REV: A	UNIT: mm	SCALE: /
$.XXX \pm 0.10$	$.XXX' \pm 0.5^{\circ}$	SHEET: 1 / 1	SHEET: A4	