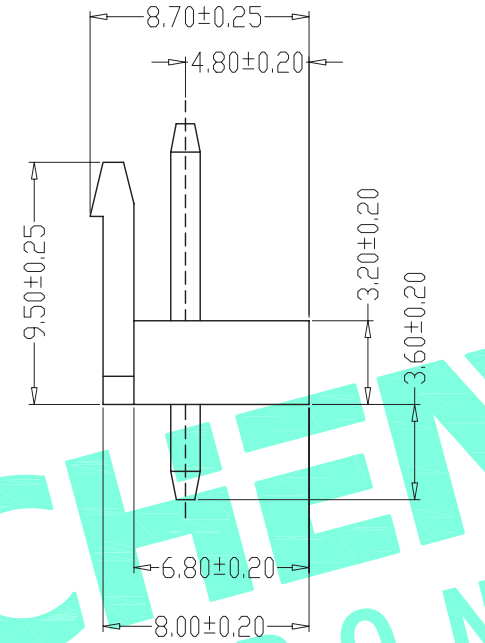
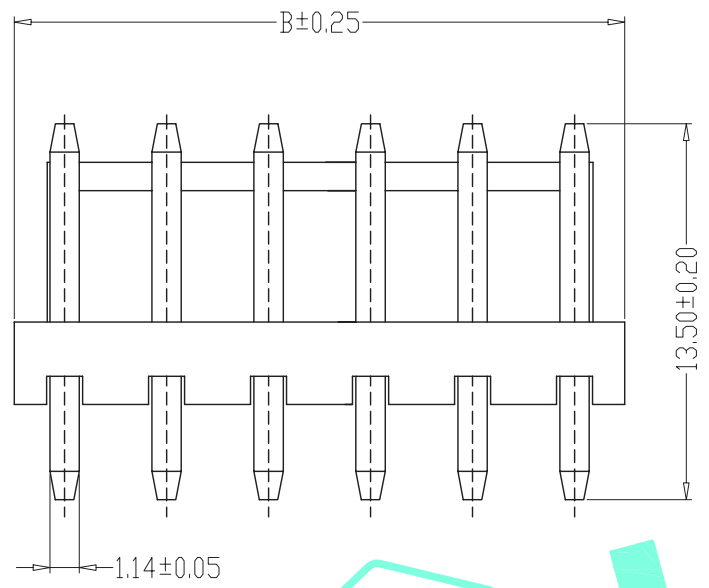
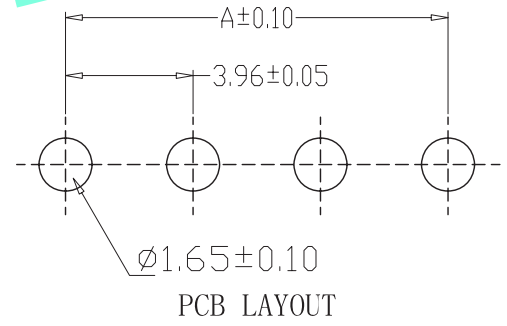
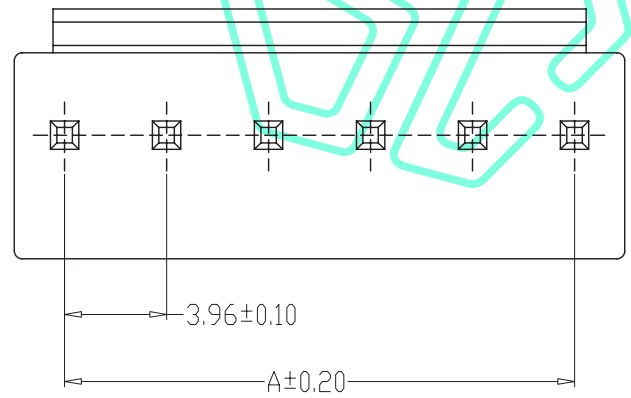


RoHS Compliant

| | | | |
|------|-------------|--------|------|
| REV. | DESCRIPTION | DESIGN | DATE |
| A/0 | NEW | CWF | |



- SPECIFICATIONS
- 1、Current Rating: 7A AC, DC
 - 2、Voltage Rating: 250V AC, DC
 - 3、Temperatuer Range: $-25^{\circ}\text{C} \sim +85^{\circ}\text{C}$
 - 4、Contact Resistance: $20\text{m}\Omega$ Max
 - 5、Insulation Resistance: $1000\text{M}\Omega$ Min
 - 6、Withstanding Voltang: 1500V AC/minute
 - 7、Material: Wafer Nylon66, UL94V-0
PIN Brass Tin-plated



| 编号 | 尺寸 (mm) | |
|-----------|---------|-------|
| | A | B |
| A3961-02A | 3.96 | 7.92 |
| A3961-03A | 7.92 | 11.88 |
| A3961-04A | 11.88 | 15.84 |
| A3961-05A | 15.84 | 19.80 |
| A3961-06A | 19.80 | 23.76 |
| A3961-07A | 23.76 | 27.72 |
| A3961-08A | 27.72 | 31.68 |
| A3961-09A | 31.68 | 35.64 |
| A3961-10A | 35.64 | 39.60 |
| A3961-11A | 39.60 | 43.56 |
| A3961-12A | 43.56 | 47.52 |

THESE DRAWINGS AND SPECIFICATIONS ARE THE PROPERTY OF SHENZHEN YUCHENG ELECTRONICS,LTD.AND SHALL NOT BE REPRODUCED,COPIED OR USED IN ANY MANNER WITHOUT THE PRIOR WRITTEN CONSENT OF SHENZHEN YUCHENG ELECTRONICS.,LTD

APPROVED: WEI JIE

CHECKED: HONG JIN YUN

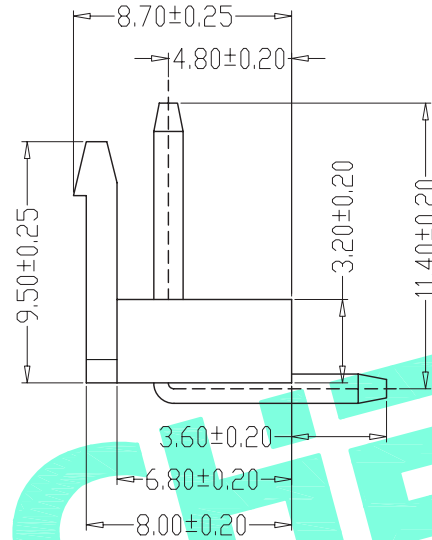
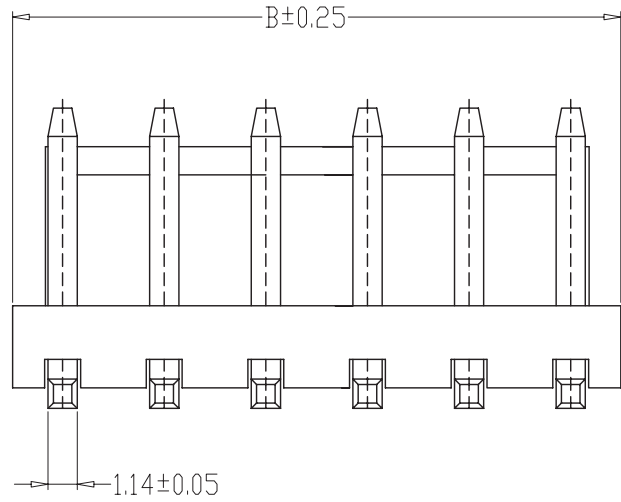
DRAWING: CHEN YA

UCHENG ELECTRONICS 深圳市裕诚电子有限公司
SHENZHEN YUCHENG ELECTRONICS CO.,LTD

| | | | |
|--------------------|------------|----------------------------|--------------------|
| GENERAL TOLERANCES | | TITLE: VH直针 WAFER DIP TYPE | |
| X:±0.25 | X:±2° | PART NO: | A3961-NA |
| .X:±0.20 | .X:±1° | WEBSITE: | www.ycelectron.com |
| .XX:±0.15 | .XX:±0.5° | REV: A | UNIT: mm |
| .XXX:±0.10 | .XXX:±0.5° | | SCALE: / |
| SHEET: 1 / 1 | | | SHEET: A4 |

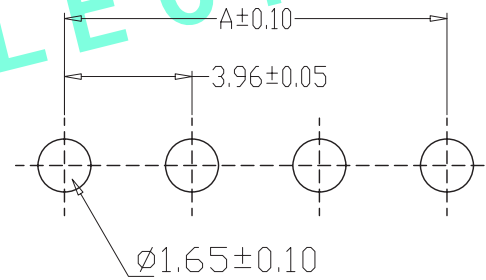
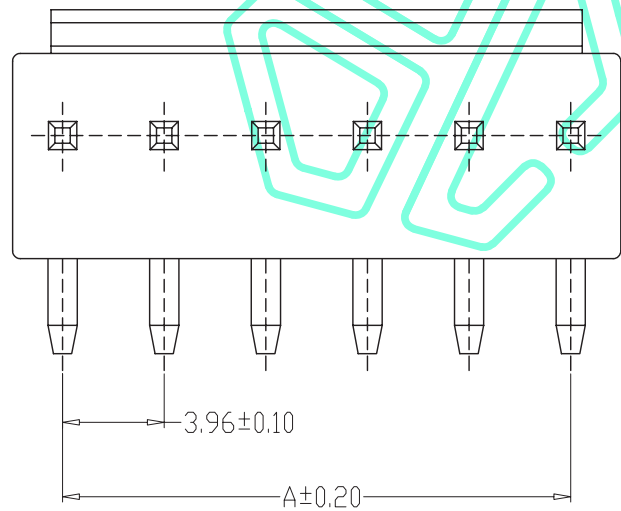
RoHS Compliant

| | | | |
|-------------|--------------------|---------------|------|
| REV. A/0 | DESCRIPTION NEW | DESIGN CWF | DATE |
|-------------|--------------------|---------------|------|



SPECIFICATIONS

- 1、Current Rating: 7A AC, DC
- 2、Voltage Rating: 250V AC, DC
- 3、Temperatuer Range: -25°C~+85°C
- 4、Contact Resistance: 20mΩ Max
- 5、Insulation Resistance: 1000MΩ Min
- 6、Withstanding Voltang: 1500V AC/minute
- 7、Material: Wafer Nylon66, UL94V-0
PIN Brass Tin-plated



PCB LAYOUT

| 编号 | 尺寸 (mm) | |
|------------|---------|-------|
| | A | B |
| A3961-02AW | 3.96 | 7.92 |
| A3961-03AW | 7.92 | 11.88 |
| A3961-04AW | 11.88 | 15.84 |
| A3961-05AW | 15.84 | 19.80 |
| A3961-06AW | 19.80 | 23.76 |
| A3961-07AW | 23.76 | 27.72 |
| A3961-08AW | 27.72 | 31.68 |
| A3961-09AW | 31.68 | 35.64 |
| A3961-10AW | 35.64 | 39.60 |
| A3961-11AW | 39.60 | 43.56 |
| A3961-12AW | 43.56 | 47.52 |

THESE DRAWINGS AND SPECIFICATIONS ARE THE PROPERTY OF SHENZHEN YUCHENG ELECTRONICS.,LTD.AND SHALL NOT BE REPRODUCED,COPIED OR USED IN ANY MANNER WITHOUT THE PRIOR WRITTEN CONSENT OF SHENZHEN YUCHENG ELECTRONICS.,LTD



深圳市裕诚电子有限公司
SHENZHEN YUCHENG ELECTRONICS CO.,LTD

APPROVED: WEI JIE
CHECKED: HONG JIN YUN
DRAWING: CHEN YA

| GENERAL TOLERANCES | |
|--------------------|------------|
| X±0.25 | X*±2° |
| .X±0.20 | .X*±1° |
| .XX±0.15 | .XX*±0.5° |
| .XXX±0.10 | .XXX*±0.5° |

| | | | |
|----------|---------------------|----------|-----------|
| TITLE: | VH平弯 WAFER DIP TYPE | | |
| PART NO: | A3961-NAW | | |
| WEBSITE: | www.ycelectron.com | | |
| REV: A | UNIT: mm | SCALE: / | SHEET: A4 |

SHEET: 1 / 1

