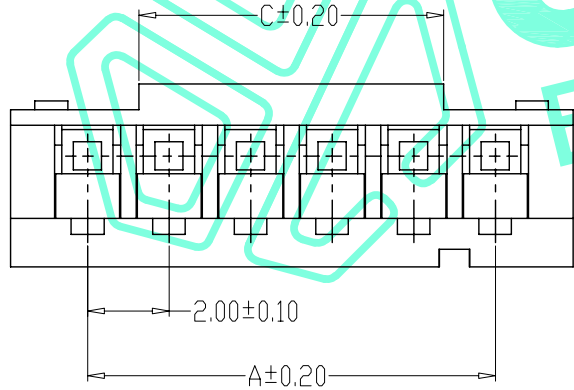
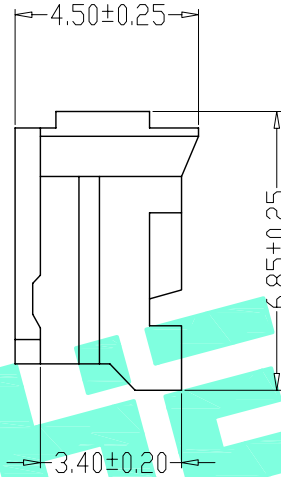
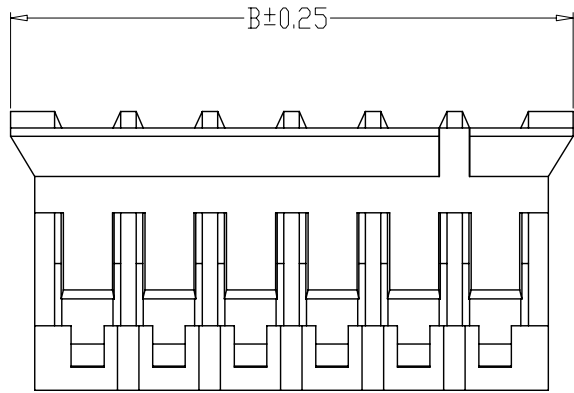


RoHS Compliant

REV. A/0	DESCRIPTION NEW	DESIGN CWF	DATE
-------------	--------------------	---------------	------



SPECIFICATIONS

- 1、Current Rating: 2A AC, DC
- 2、Voltage Rating: 100V AC, DC
- 3、Temperatuer Range: -25℃~+85℃
- 4、Contact Resistance: 10mΩ Max
- 5、Insulation Resistance: 1000mΩ Min
- 6、Withstanding Voltang: 800V AC/minute
- 7、Material:Housing:Nylon66, UL94V-0

编 号	尺寸 (mm)		
	A	B	C
A2001H-02P	2.00	5.80	0.50
A2001H-03P	4.00	7.80	1.68
A2001H-04P	6.00	9.80	3.50
A2001H-05P	8.00	11.80	5.50
A2001H-06P	10.00	13.80	7.50
A2001H-07P	12.00	15.80	9.50
A2001H-08P	14.00	17.80	11.50
A2001H-09P	16.00	19.80	13.50
A2001H-10P	18.00	21.80	15.50
A2001H-11P	20.00	23.80	17.50
A2001H-12P	22.00	25.80	19.50
A2001H-15P	28.00	31.80	25.50

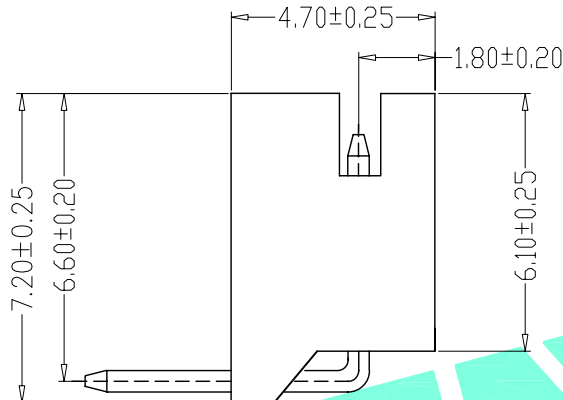
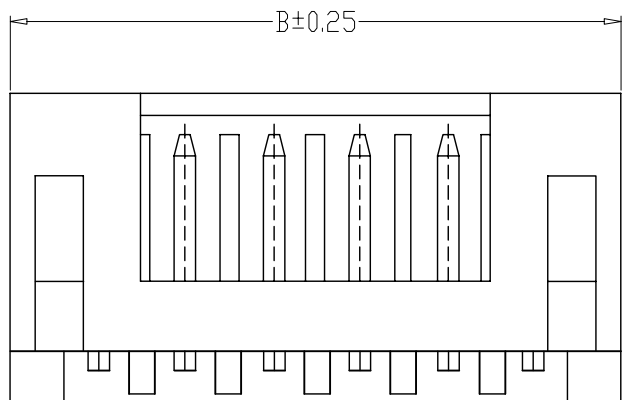
THESE DRAWINGS AND SPECIFICATIONS ARE THE PROPERTY OF SHENZHEN YUCHENG ELECTRONICS.,LTD.AND SHALL NOT BE REPRODUCED,COPIED OR USED IN ANY MANNER WITHOUT THE PRIOR WRITTEN CONSENT OF SHENZHEN YUCHENG ELECTRONICS.,LTD

**UCHENG** ELECTRONICS 深圳市裕诚电子有限公司  
SHENZHEN YUCHENG ELECTRONICS CO.,LTD

APPROVED:	WEI JIE	GENERAL TOLERANCES	TITLE:	PH孔座		
CHECKED:	HONG JIN YUN	.X±0.25 .X'±2"	PART NO:	A2001H-NP		
DRAWING:	CHEN YA	.X±0.20 .X'±1"	WEBSITE :	www.ycelectron.com		
		.XX±0.15 .XX'±0.5"	REV: A	UNIT: mm	SCALE: /	SHEET: A4
		.XXX±0.10 .XXX'±0.5"	SHEET: 1 / 1			☉

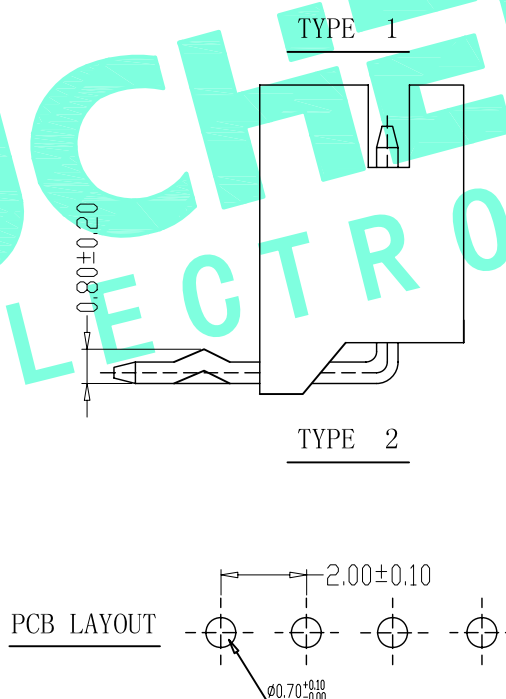
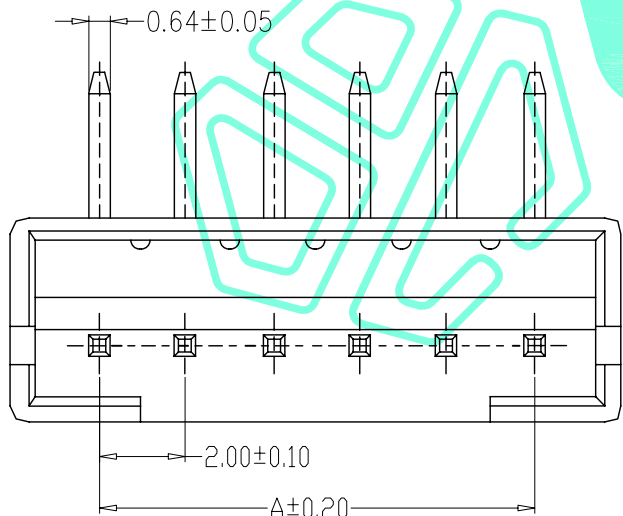
RoHS Compliant

REV. A/0	DESCRIPTION NEW	DESIGN CWF	DATE
-------------	--------------------	---------------	------



SPECIFICATIONS

- 1、Current Rating: 2A AC, DC
- 2、Voltage Rating: 100V AC, DC
- 3、Temperatuer Range: -25°C~+85°C
- 4、Contact Resistance: 10mΩ Max
- 5、Insulation Resistance: 1000mΩ Min
- 6、Withstanding Voltang: 800V AC/minute
- 7、Material: Wafer Nylon66, UL94V-0  
PIN Brass Tin-plated



编 号	尺寸 (mm)	
	A	B
A2001WRD-02A	2.00	6.00
A2001WRD-03A	4.00	8.00
A2001WRD-04A	6.00	10.00
A2001WRD-05A	8.00	12.00
A2001WRD-06A	10.00	14.00
A2001WRD-07A	12.00	16.00
A2001WRD-08A	14.00	18.00
A2001WRD-09A	16.00	20.00
A2001WRD-10A	18.00	22.00
A2001WRD-11A	20.00	24.00
A2001WRD-12A	22.00	26.00
A2001WRD-15A	28.00	32.00

THESE DRAWINGS AND SPECIFICATIONS ARE THE PROPERTY OF SHENZHEN YUCHENG ELECTRONICS, LTD. AND SHALL NOT BE REPRODUCED, COPIED OR USED IN ANY MANNER WITHOUT THE PRIOR WRITTEN CONSENT OF SHENZHEN YUCHENG ELECTRONICS, LTD.

APPROVED: WEI JIE  
 CHECKED: HONG JIN YUN  
 DRAWING: CHEN YA

**UCHENG** ELECTRONICS 深圳市裕诚电子有限公司  
 SHENZHEN YUCHENG ELECTRONICS CO.,LTD

GENERAL TOLERANCES		TITLE: PH定位针座	
X±0.25	X*±2°	PART NO:	A2001WRD-NA
.X±0.20	.X°±1°	WEBSITE:	www.ycelectron.com
.XX±0.15	.XX°±0.5°	REV: A	UNIT: mm
.XXX±0.10	.XXX°±0.5°	SHEET: 1 / 1	SCALE: /
		SHEET: A4	DATE: / /