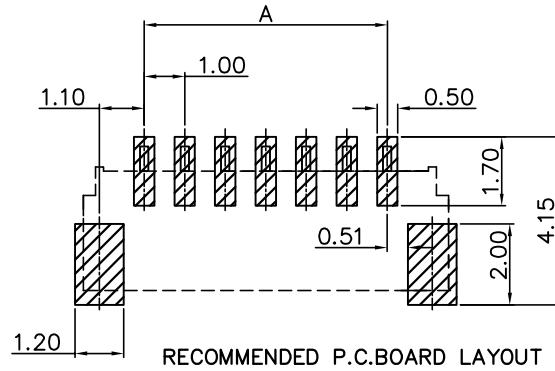
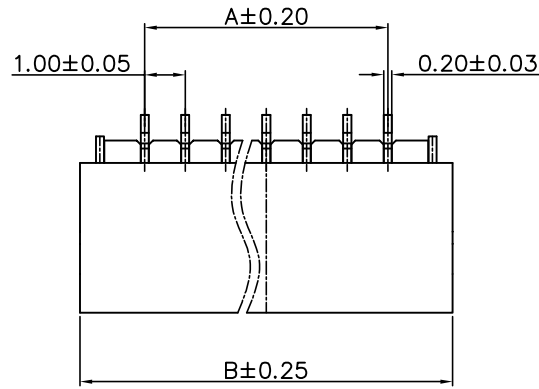


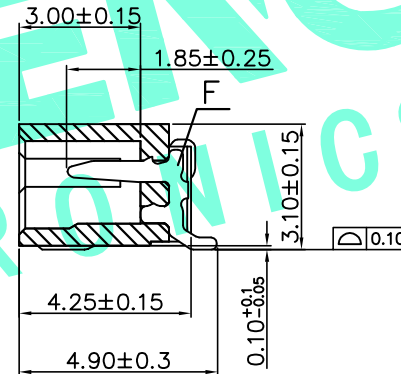
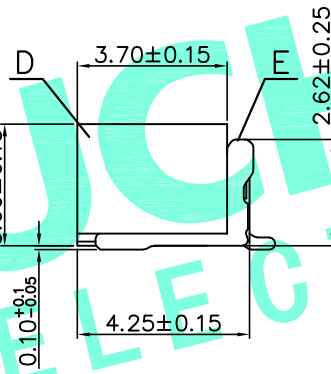
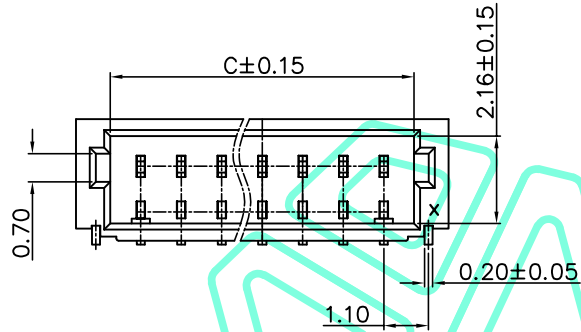
RoHS Compliant

REV.	DESCRIPTION	DESIGN	DATE
A/0	NEW	CWF	

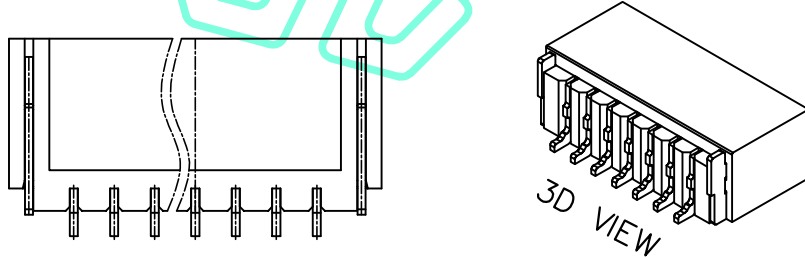


**SPECIFICATIONS**

- 1) MATERIAL:  
HOUSING: LCP UL94V-0, NATURAL  
TERMINAL: BRASS, TIN PLATING
- 2) CURRENT RATING: 1A AC, DC.
- 3) VOLTAGE RATING: 50V AC/DC
- 4) CONTACT RESISTANCE: 20mΩ MAX
- 5) INSULATION RESISTANCE: 100MΩ MIN.
- 6) WITHSTANDING VOLTAGE: 500V AC/MINUTE
- 7) TEMPERATURE RANGE: -25°~+85°.



CKT	A	B	C
2	1.00	4.20	2.50
3	2.00	5.20	3.50
4	3.00	6.20	4.50
5	4.00	7.20	5.50
6	5.00	8.20	6.50
7	6.00	9.20	7.50
8	7.00	10.20	8.50
9	8.00	11.20	9.50
10	9.00	12.20	10.50
11	10.00	13.20	11.50
12	11.00	14.20	12.50
13	12.00	15.20	13.50
14	13.00	16.20	14.50
15	14.00	17.20	15.50
16	15.00	18.20	16.50
17	16.00	19.20	17.50
18	17.00	20.20	18.50
19	18.00	21.20	19.50
20	19.00	22.20	20.50
22	21.00	24.20	22.50
24	23.00	26.20	24.50
26	25.00	28.20	26.50



THESE DRAWINGS AND SPECIFICATIONS ARE THE PROPERTY OF SHENZHEN YUCHENG ELECTRONICS, LTD. AND SHALL NOT BE REPRODUCED, COPIED OR USED IN ANY MANNER WITHOUT THE PRIOR WRITTEN CONSENT OF SHENZHEN YUCHENG ELECTRONICS, LTD.

**YUCHENG ELECTRONICS** 深圳市裕诚电子有限公司  
SHENZHEN YUCHENG ELECTRONICS CO., LTD

F	SOLDER TAB	BRASS	PLATED Ni 50U" & Sn 100U" MIN
E	CONTACT	BRASS	PLATED Ni 50U" & Sn 100U" MIN
D	PEDESTAL	LCP	UL94V-0/COLOR: BEIGE
ITEM	COMPONENT	MATERIAL	FINISH

APPROVED:	WEI JIE	TITLE:	SH1.0连接器		
CHECKED:	HONG JIN YUN	PART NO.:	卧式贴片-Part No		
DRAWING:	CHEN YA	WEBSITE:	www.ycelectron.com		
SHEET:	1 / 1	REV: A	UNIT: mm	SCALE: /	SHEET: A4