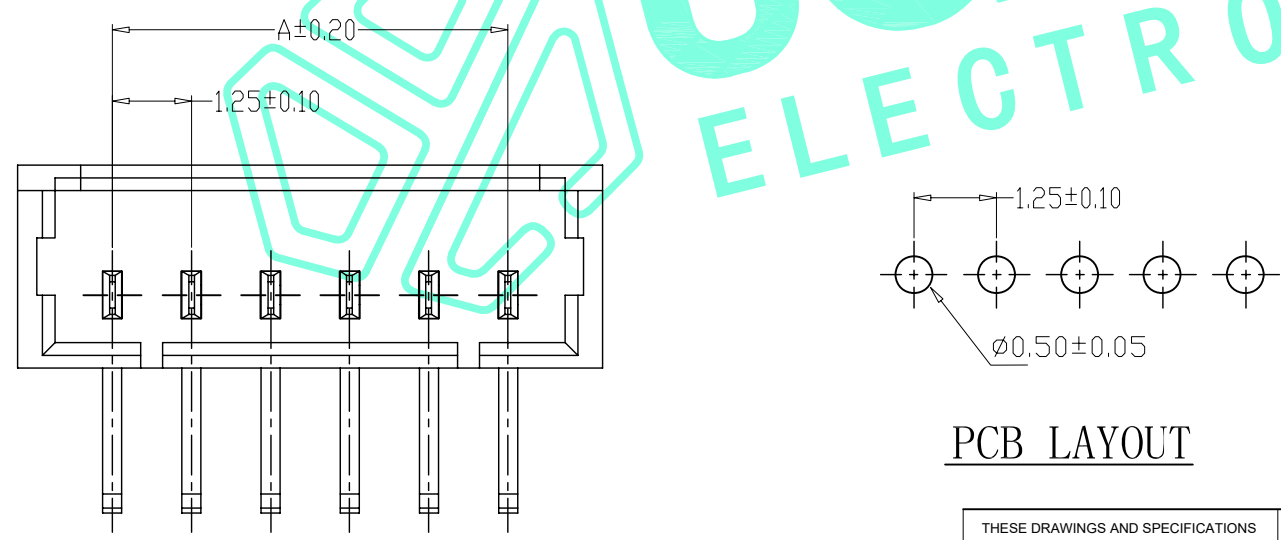
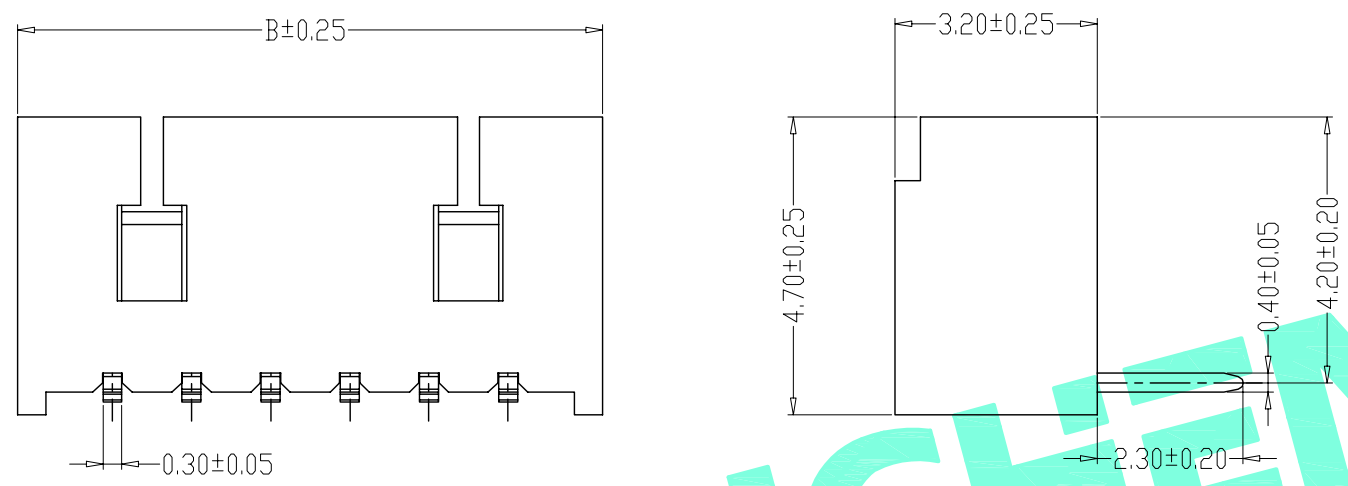


RoHS Compliant

| | | | |
|-------------|--------------------|---------------|------|
| REV. A/0 | DESCRIPTION NEW | DESIGN CWF | DATE |
|-------------|--------------------|---------------|------|

- SPECIFICATIONS
- 1、Current Rating: 1A AC, DC
 - 2、Voltage Rating: 125V AC, DC
 - 3、Temperatuer Range: -25°C~+85°C
 - 4、Contact Resistance: 20mΩ Max
 - 5、Insulation Resistance: 100mΩ Min
 - 6、Withstanding Voltang: 500V AC/minute
 - 7、Material: Wafer Nylon46, UL94V-0
PIN Phosphoric copper Tin-plated

| 编 号 | 尺寸 (mm) | |
|-------------|---------|-------|
| | A | B |
| A1251WR-02A | 1.25 | 4.25 |
| A1251WR-03A | 2.50 | 5.50 |
| A1251WR-04A | 3.75 | 6.75 |
| A1251WR-05A | 5.00 | 8.00 |
| A1251WR-06A | 6.25 | 9.25 |
| A1251WR-07A | 7.50 | 10.50 |
| A1251WR-08A | 8.75 | 11.75 |
| A1251WR-09A | 10.00 | 13.00 |
| A1251WR-10A | 11.25 | 14.25 |
| A1251WR-11A | 12.50 | 15.50 |
| A1251WR-12A | 13.75 | 16.75 |
| A1251WR-15A | 17.50 | 20.50 |



PCB LAYOUT

THESE DRAWINGS AND SPECIFICATIONS ARE THE PROPERTY OF SHENZHEN YUCHENG ELECTRONICS.,LTD AND SHALL NOT BE REPRODUCED, COPIED OR USED IN ANY MANNER WITHOUT THE PRIOR WRITTEN CONSENT OF SHENZHEN YUCHENG ELECTRONICS.,LTD

APPROVED: WEI JIE
 CHECKED: HONG JIN YUN
 DRAWING: CHEN YA

UCHENG ELECTRONICS 深圳市裕诚电子有限公司
 SHENZHEN YUCHENG ELECTRONICS CO.,LTD

| | | | | |
|------------------------|--------------|--------------------|----------|-----------|
| GENERAL TOLERANCES | TITLE: | 1.25开口弯针座 | | |
| X:±0.25 X':±2" | PART NO: | A1251WR-NA | | |
| .X:±0.20 .X':±1" | WEBSITE: | www.ycelectron.com | | |
| .XX:±0.15 .XX':±0.5" | REV: A | UNIT: mm | SCALE: / | SHEET: A4 |
| .XXX:±0.10 .XXX':±0.5" | SHEET: 1 / 1 | | | |

