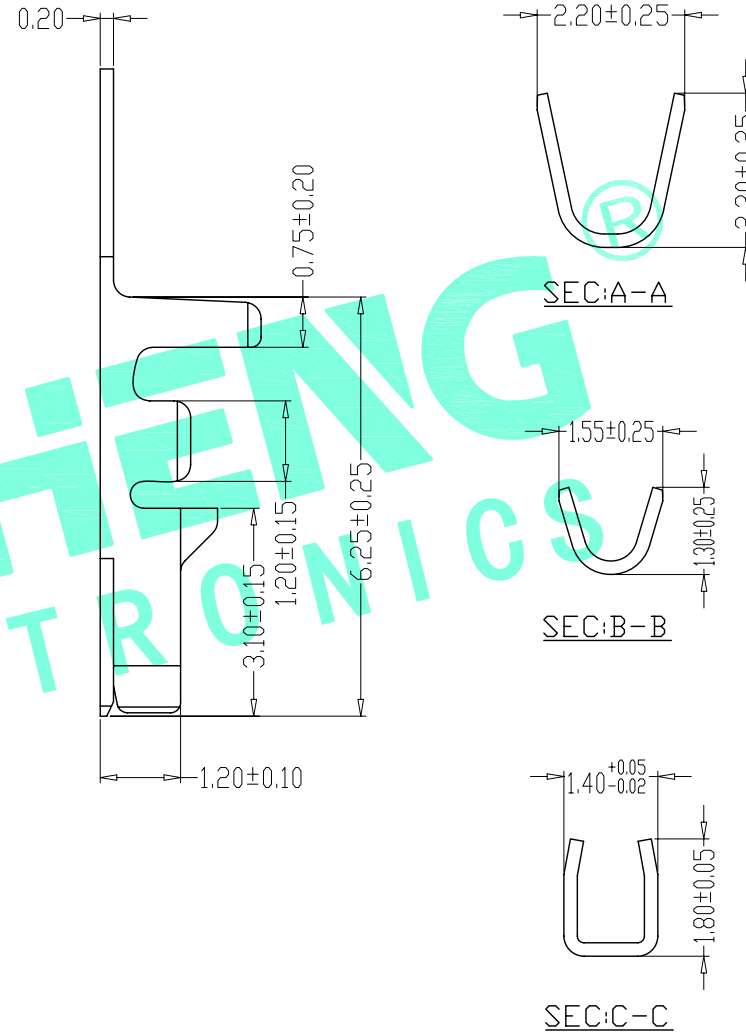
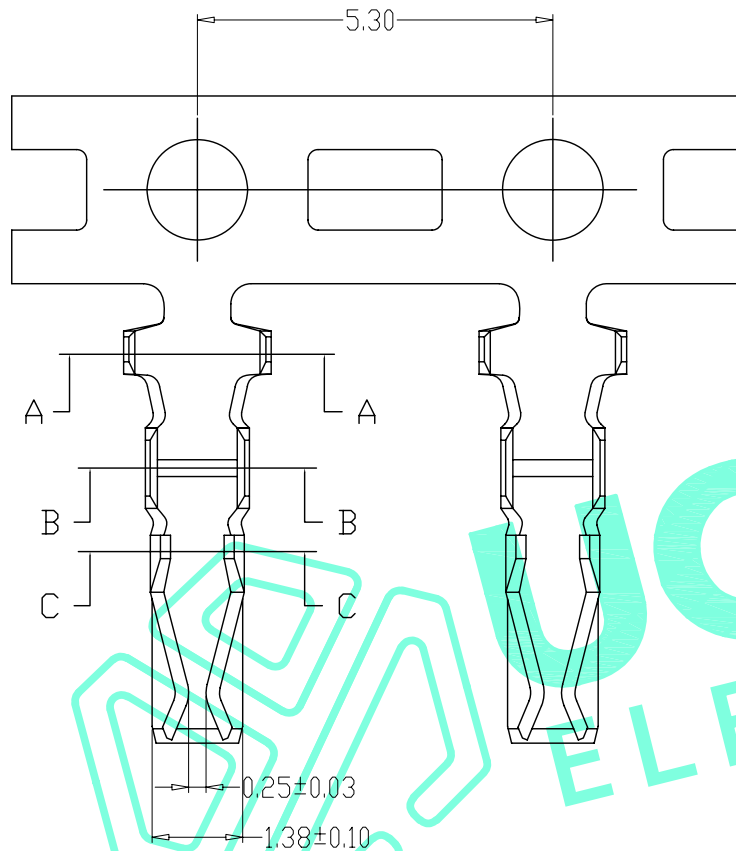


RoHS Compliant

REV. A/0	DESCRIPTION HY-A	DESIGN CWF	DATE
-------------	---------------------	---------------	------



SPECIFICATIONS

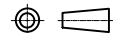
- 1、Current Rating: 2A AC, DC
- 2、Voltage Rating: 250V AC, DC
- 3、Temperatuer Range: -25℃~+85℃
- 4、Contact Resistance: 20mΩ Max
- 5、Insulation Resistance: 1000MΩ Min
- 6、Withstanding Voltang: 1000V AC/minute
- 7、Material:Phosphoric bronze Tin-plated
- 8、Applicable Wire Sizes:AWG#24~30#

THESE DRAWINGS AND SPECIFICATIONS ARE THE PROPERTY OF SHENZHEN YUCHENG ELECTRONICS.,LTD.AND SHALL NOT BE REPRODUCED,COPIED OR USED IN ANY MANNER WITHOUT THE PRIOR WRITTEN CONSENT OF SHENZHEN YUCHENG ELECTRONICS.,LTD



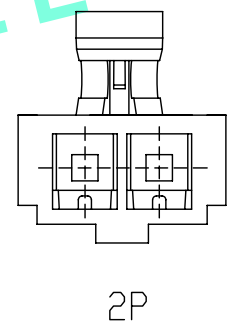
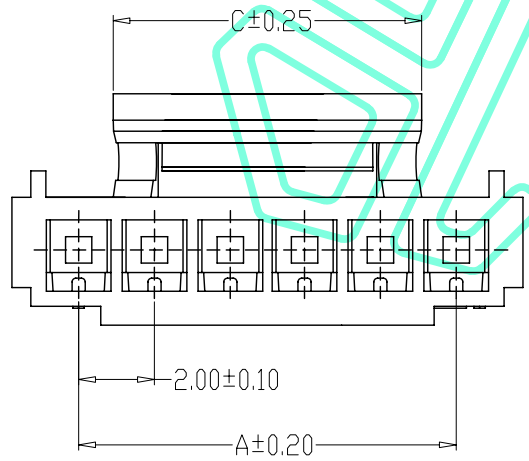
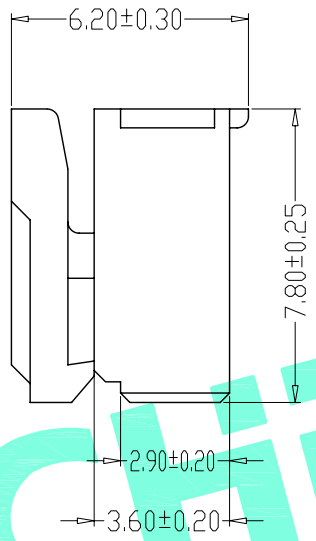
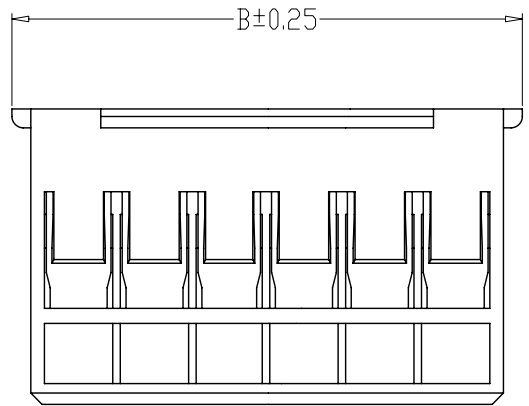
深圳市裕诚电子有限公司
SHENZHEN YUCHENG ELECTRONICS CO.,LTD

APPROVED:	WEI JIE	GENERAL TOLERANCES	TITLE:	HY-A型连接器
CHECKED:	HONG JIN YUN	>0-3	PART NO:	HY端子
DRAWING:	CHEN YA	>3-18	WEBSITE :	www.ycelectron.com
		>18-50	REV: A	UNIT: mm
		>50-120		SCALE: /
		SHEET: 1 / 1		SHEET: A4



RoHS Compliant

REV. A/0	DESCRIPTION NEW	DESIGN CWF	DATE
-------------	--------------------	---------------	------



SPECIFICATIONS

- 1、Current Rating: 2A AC, DC
- 2、Voltage Rating: 250V AC, DC
- 3、Temperatuer Range: -25°C~+85°C
- 4、Contact Resistance: 20mΩ Max
- 5、Insulation Resistance: 1000MΩ Min
- 6、Withstanding Voltang: 1000V AC/minute
- 7、Material:Housing:Nylon66, UL94V-0

Part No	尺寸 (mm)		
	A	B	C
HY-02Y	2.00	5.50	2.30
HY-03Y	4.00	7.50	2.30
HY-04Y	6.00	9.50	4.30
HY-05Y	8.00	11.50	4.30
HY-06Y	10.00	13.50	8.30
HY-07Y	12.00	15.50	10.30
HY-08Y	14.00	17.50	12.30
HY-09Y	16.00	19.50	12.30
HY-10Y	18.00	21.50	12.30
HY-11Y	20.00	23.50	16.30
HY-12Y	22.00	25.50	16.30
HY-20Y	38.00	41.50	16.30

THESE DRAWINGS AND SPECIFICATIONS ARE THE PROPERTY OF SHENZHEN YUCHENG ELECTRONICS,LTD.AND SHALL NOT BE REPRODUCED,COPIED OR USED IN ANY MANNER WITHOUT THE PRIOR WRITTEN CONSENT OF SHENZHEN YUCHENG ELECTRONICS.,LTD

APPROVED: WEI JIE
 CHECKED: HONG JIN YUN
 DRAWING: CHEN YA



深圳市裕诚电子有限公司
 SHENZHEN YUCHENG ELECTRONICS CO.,LTD

GENERAL TOLERANCES	TITLE:	HY-A型连接器		
>0-3 ±0.15	PART NO:	HY孔座		
>3-18 ±0.2	WEBSITE:	www.ycelectron.com		
>18-50 ±0.35	REV: A	UNIT: mm	SCALE: /	SHEET: A4
>50-120 ±0.5				
SHEET: 1 / 1				

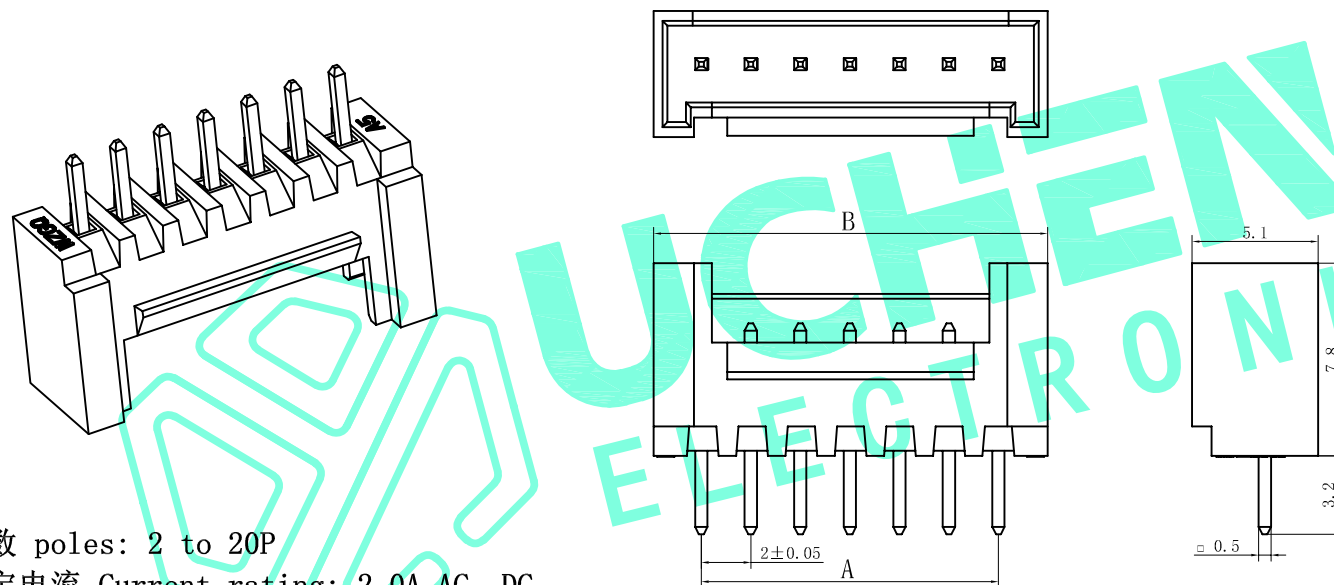
RoHS Compliant

REV. A/0	DESCRIPTION NEW	DESIGN CWF	DATE
----------	-----------------	------------	------

产品规格书

PRODUCT SPECIFICATION

- 针座 WAFER
- 壳体材料 Material: Nylon66 UL 94V-0
- 针 Brass/Tin-plated
- 立式 Straight Angle (Type)



Poles	Part No	Dimensions mm	
		A	B
2	HY-2A	2.00	6.00
3	HY-3A	4.00	8.00
4	HY-4A	6.00	10.00
5	HY-5A	8.00	12.00
6	HY-6A	10.00	14.00
7	HY-7A	12.00	16.00
8	HY-8A	14.00	18.00
9	HY-9A	16.00	20.00
10	HY-10A	18.00	22.00
11	HY-11A	20.00	24.00
12	HY-12A	22.00	26.00
13	HY-13A	24.00	28.00
14	HY-14A	26.00	30.00
15	HY-15A	28.00	32.00
16	HY-16A	30.00	34.00
---	---	---	---

- 1. 极数 poles: 2 to 20P
- 2. 额定电流 Current rating: 2.0A AC, DC
- 3. 额定电压 Voltage rating: 100V AC, DC
- 4. 温度范围 Temperature range: -25. C to +85. C
- 5. 接触电阻 Contact resistance: $\leq 10m\Omega$
- 6. 绝缘电阻 Insulation resistance: $\geq 1000m\Omega$
- 7. 耐电压 Withstand voltage: 800V AC/minute
- 8. 适用线规 Applicable Wire: AWG #32 to #24
- 9. 适用基板厚度 Applicable PC board thickness: 1.6mm

THESE DRAWINGS AND SPECIFICATIONS ARE THE PROPERTY OF SHENZHEN YUCHENG ELECTRONICS, LTD. AND SHALL NOT BE REPRODUCED, COPIED OR USED IN ANY MANNER WITHOUT THE PRIOR WRITTEN CONSENT OF SHENZHEN YUCHENG ELECTRONICS, LTD.

UCHENG® 深圳市裕诚电子有限公司
ELECTRONICS SHENZHEN YUCHENG ELECTRONICS CO.,LTD

APPROVED:	WEI JIE	GENERAL TOLERANCES	TITLE:	HY-A型连接器		
CHECKED:	HONG JIN YUN	>0-3 ±0.15	PART NO:	2.0立式插件-Part No		
DRAWING:	CHEN YA	>3-18 ±0.2	WEBSITE:	www.ycelectron.com		
		>18-50 ±0.35	REV: A	UNIT: mm	SCALE: /	SHEET: A4
		>50-120 ±0.5	SHEET: 1 / 1			

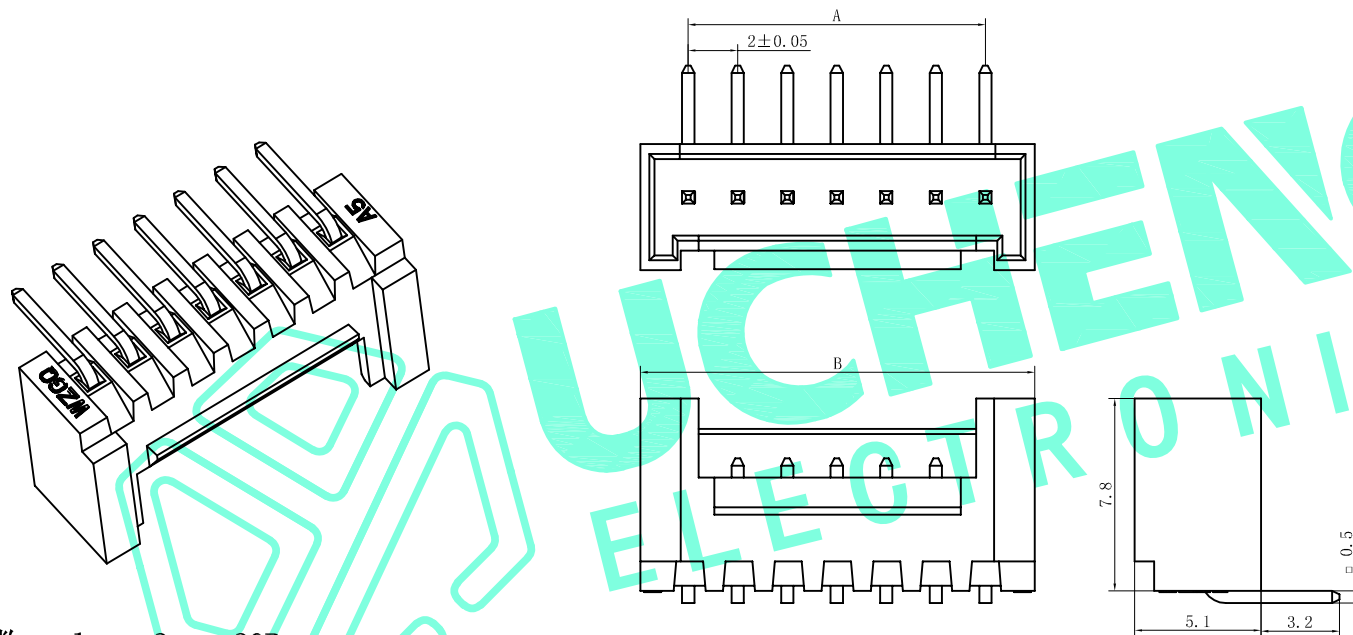
RoHS Compliant

REV. A/0	DESCRIPTION NEW	DESIGN CWF	DATE
----------	-----------------	------------	------

产品规格书

PRODUCT SPECIFICATION

- 针座 WAFER
- 壳体材料 Material: Nylon66 UL 94V-0
- 针 Brass/Tin-plated
- 卧式 Right Angle (Type)



Poles	Part No	Dimensions mm	
		A	B
2	HY-2AW	2.00	6.00
3	HY-3AW	4.00	8.00
4	HY-4AW	6.00	10.00
5	HY-5AW	8.00	12.00
6	HY-6AW	10.00	14.00
7	HY-7AW	12.00	16.00
8	HY-8AW	14.00	18.00
9	HY-9AW	16.00	20.00
10	HY-10AW	18.00	22.00
11	HY-11AW	20.00	24.00
12	HY-12AW	22.00	26.00
13	HY-13AW	24.00	28.00
14	HY-14AW	26.00	30.00
15	HY-15AW	28.00	32.00
16	HY-16AW	30.00	34.00
---	---	---	---

- 1. 极数 poles: 2 to 20P
- 2. 额定电流 Current rating: 2.0A AC, DC
- 3. 额定电压 Voltage rating: 100V AC, DC
- 4. 温度范围 Temperature range: -25. C to +85. C
- 5. 接触电阻 Contact resistance: $\leq 10m\Omega$
- 6. 绝缘电阻 Insulation resistance: $\geq 1000m\Omega$
- 7. 耐电压 Withstand voltage: 800V AC/minute
- 8. 适用线规 Applicable Wire: AWG #32 to #24
- 9. 适用基板厚度 Applicable PC board thickness: 1.6mm

THESE DRAWINGS AND SPECIFICATIONS ARE THE PROPERTY OF SHENZHEN YUCHENG ELECTRONICS.,LTD.AND SHALL NOT BE REPRODUCED,COPIED OR USED IN ANY MANNER WITHOUT THE PRIOR WRITTEN CONSENT OF SHENZHEN YUCHENG ELECTRONICS.,LTD

YUCHENG ELECTRONICS 深圳市裕诚电子有限公司
SHENZHEN YUCHENG ELECTRONICS CO.,LTD

APPROVED:	WEI JIE	GENERAL TOLERANCES	TITLE:	HY-AW型连接器		
CHECKED:	HONG JIN YUN	>0-3 ±0.15	PART NO:	2.0卧式插件-Part No		
DRAWING:	CHEN YA	>3-18 ±0.2	WEBSITE :	www.ycelectron.com		
		>18-50 ±0.35	REV: A	UNIT: mm	SCALE: /	SHEET: A4
		>50-120 ±0.5	SHEET: 1 / 1			

