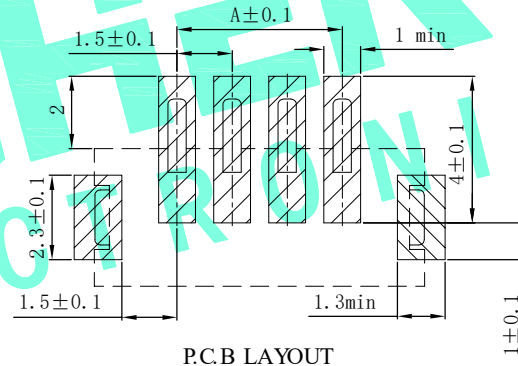
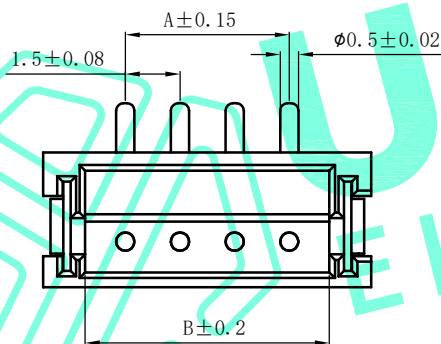
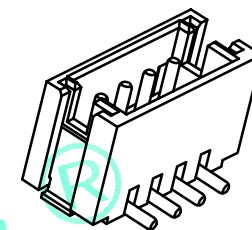
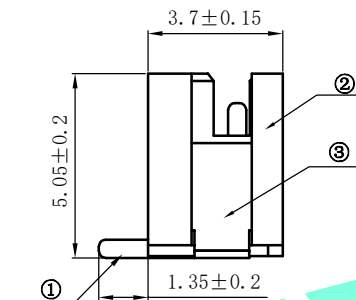
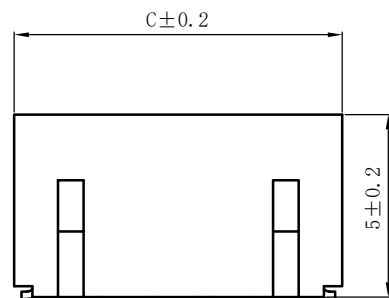


RoHS Compliant

REV.	DESCRIPTION	DESIGN	DATE
A/0	NEW	CWF	



ZH1.5mm贴片	A-(mm)	B-(mm)	C-(mm)
ZH1.5mm-2P-LT	1.50	3.60	6.00
ZH1.5mm-3P-LT	3.00	5.10	7.50
ZH1.5mm-4P-LT	4.50	6.60	9.00
ZH1.5mm-5P-LT	6.00	8.10	10.50
ZH1.5mm-6P-LT	7.50	9.60	12.00
ZH1.5mm-7P-LT	9.00	11.10	13.50
ZH1.5mm-8P-LT	10.50	12.60	15.00
ZH1.5mm-9P-LT	12.00	14.10	16.50
ZH1.5mm-10P-LT	13.50	15.60	18.00
ZH1.5mm-11P-LT	15.00	17.10	19.50
ZH1.5mm-12P-LT	16.50	18.60	21.00
ZH1.5mm-13P-LT	18.00	20.10	22.50
ZH1.5mm-14P-LT	19.50	21.60	24.00
ZH1.5mm-15P-LT	21.00	23.10	25.50
ZH1.5mm-16P-LT	22.50	24.60	27.00

技术要求

1: 外观要求

- 1-1. 插针表面光洁、无损伤、锈蚀等缺陷。
- 1-2. 基座表面无脏污、飞边、排气不良等缺陷。

2: 电气性能:

- 2-1. 额定电流: 1.0A
- 2-2. 额定电压: 50V
- 2-3. 耐电压: 500V
- 2-4. 接触电阻: ≤20mΩ
- 2-5. 绝缘电阻: ≥500mΩ

3: 工作温度: -25℃~+85℃

序号	材料名称	数量	材质	镀涂	REMARK
①	圆针	n	黄铜	高温亮锡	GP PASS
②	塑件	1	LCP	/	GP PASS
③	焊片	2	黄铜	高温亮锡	GP PASS

THESE DRAWINGS AND SPECIFICATIONS ARE THE PROPERTY OF SHENZHEN YUCHENG ELECTRONICS, LTD AND SHALL NOT BE REPRODUCED, COPIED OR USED IN ANY MANNER WITHOUT THE PRIOR WRITTEN CONSENT OF SHENZHEN YUCHENG ELECTRONICS, LTD

APPROVED: WEI JIE

CHECKED: HONG JIN YUN

DRAWING: CHEN YA

YUCHENG ELECTRONICS 深圳市裕诚电子有限公司
SHENZHEN YUCHENG ELECTRONICS CO.,LTD

GENERAL TOLERANCES	TITLE:	ZH1.5mm-4P-立贴
>20 ±0.25	PART NO:	ZH1.5mm-4P-LT
>10≤20 ±0.2	WEBSITE:	www.ycelectron.com
>3≤10 ±0.15	REV: A	UNIT: mm SCALE: / SHEET: A4
3≤ ±0.1	SHEET: 1 / 1	