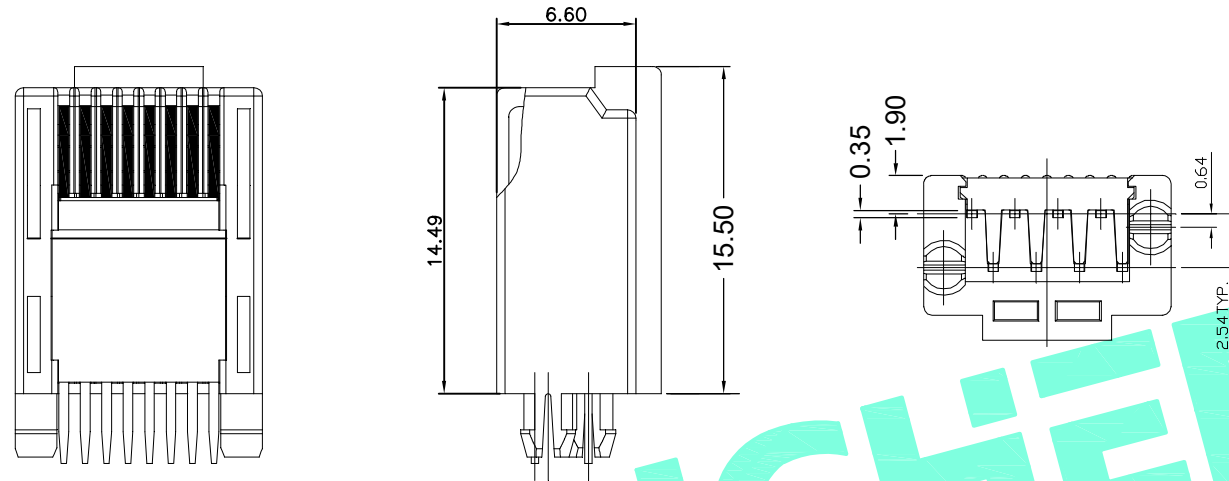


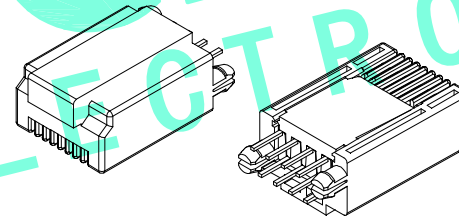
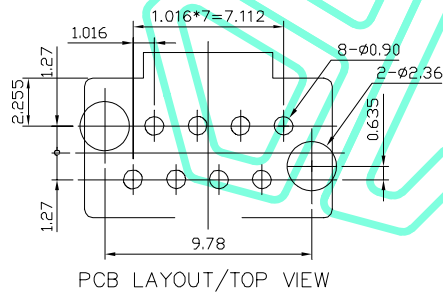
RoHS Compliant

REV.	DESCRIPTION	DESIGN	DATE
A/0	NEW	CFW	



**FEATURES:**  
 1 Electrical Test:  
 A. Safety Voltage/Current Rating 150V ac, at 1.5A.  
 B. Dielectric with standing 1000V/DC/min, <0.5A.  
 C. Insulation Resistance: >500MΩ, 1000V./min  
 D. Contact Resistance: <20MΩ  
 3 Operation Temperature: -40℃~+85℃.  
 4. Environmental compliance  
 A. the products are compliant with the RoHS, and REACH ETC.

**特征:**  
 1 电气特性:  
 A. 额定电压150伏特AC. 额定电流1.5A  
 B. 耐电压测试: 小于0.5安培1000伏特DC/一分钟.  
 C. 绝缘抗隆: 1000伏特DC/一分钟, 大于500百萬歐姆  
 D. 接觸陰坑: 不大于20mΩ (毫歐姆)  
 2 使用温度范围: -40℃~+85℃  
 3 环保符合性:  
 A. 产品符合RoHS, REACH等环保规格.



胶壳 LCP	<input checked="" type="checkbox"/> 94-V0	<input type="checkbox"/> 94-V2	1	
金片 (PIN针) Contacts	<input type="checkbox"/> 黄铜 Brass	<input checked="" type="checkbox"/> 磷铜 Phosphor copper	8	
	<input type="checkbox"/> G/F"	<input type="checkbox"/> 1u"		<input type="checkbox"/> 3u"
	<input type="checkbox"/> 15u"	<input type="checkbox"/> 30u"	<input type="checkbox"/> 50u"	<input type="checkbox"/> OTHER

THESE DRAWINGS AND SPECIFICATIONS ARE THE PROPERTY OF SHENZHEN YUCHENG ELECTRONICS.,LTD.AND SHALL NOT BE REPRODUCED,COPIED OR USED IN ANY MANNER WITHOUT THE PRIOR WRITTEN CONSENT OF SHENZHEN YUCHENG ELECTRONICS.,LTD

APPROVED: WEI JIE  
 CHECKED: HONG JIN YUN  
 DRAWING: CHEN YA

**YUCHENG ELECTRONICS** 深圳市裕诚电子有限公司  
 SHENZHEN YUCHENG ELECTRONICS CO.,LTD

GENERAL TOLERANCES	TITLE:	RJ45公头 长款8P8C插件DIP立式	
.XXX ±0.10 .X' ±3'	PART NO:	JIS-8P8C15566	
.XX ±0.20 .XX' ±2'	WEBSITE:	www.ycelectron.com	
.X ±0.30	REV: A	UNIT: mm	SCALE: /
SHEET: 1 / 1		SHEET: A4	