

RoHS Compliant

REV.	DESCRIPTION	DESIGN	DATE
A/0	NEW	CWF	

NOTES:

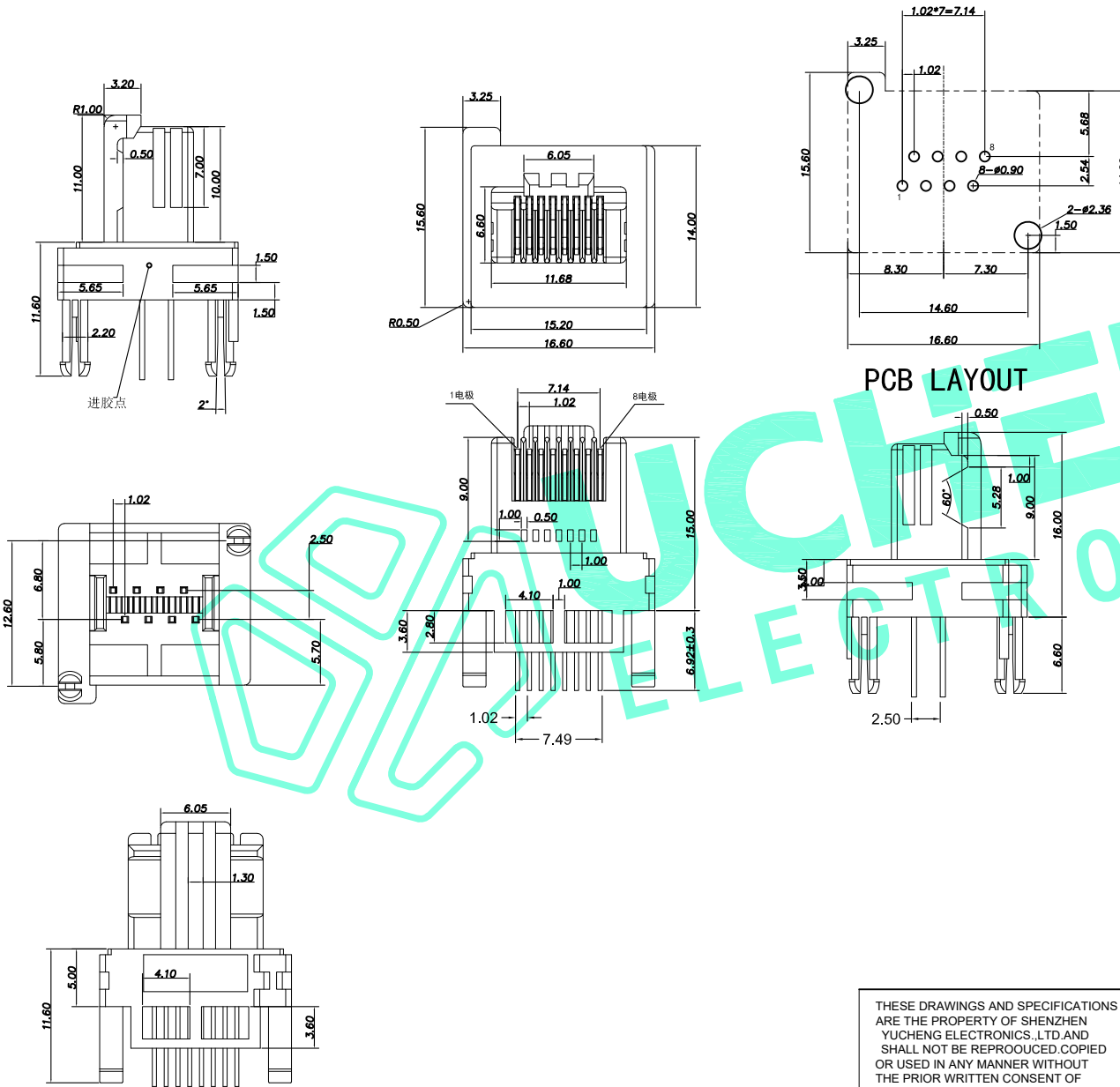
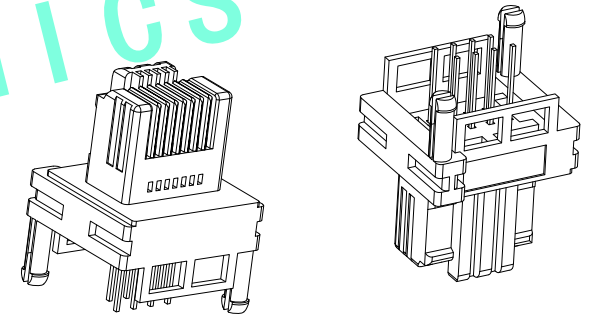
MATERIAL:

1. Housing: Polycarbonate(PC).
2. Terminal: Brass, gold plating over nickel.

SPECIFICATION:

1. CURRENT RATING: 5.0A MAX
2. VOLTAGE: 100 VAC
3. TEMPERATURE RANGE: -30 °C ~ 85 °C
4. CONTACT RESISTANCE: 40 MILLIONHM MAX
5. INSULATION RESISTANCE: 100 MEGOHMS MIN.
6. INSERTION FORCE : 5N~20N
7. UNMATING FORCE: 8N~20N
8. DURABILITY: 1000 CYCLES

PCB LAYOUT



THESE DRAWINGS AND SPECIFICATIONS ARE THE PROPERTY OF SHENZHEN YUCHENG ELECTRONICS, LTD. AND SHALL NOT BE REPRODUCED, COPIED OR USED IN ANY MANNER WITHOUT THE PRIOR WRITTEN CONSENT OF SHENZHEN YUCHENG ELECTRONICS, LTD.

YUCHENG ELECTRONICS 深圳市裕诚电子有限公司
SHENZHEN YUCHENG ELECTRONICS CO.,LTD

APPROVED:	WEI JIE	GENERAL TOLERANCES	TITLE:	RJ45公头 垫高款PCB板端插板式
CHECKED:	HONG JIN YUN	.XXX ±0.10 .X' ±3'	PART NO.:	JIS-8P8C15D66
DRAWING:	CHEN YA	.XX ±0.20 .XX' ±2'	WEBSITE:	www.ycelectron.com
		.X ±0.30	REV: A	UNIT: mm SCALE: / SHEET: A4
			SHEET: 1 / 1	