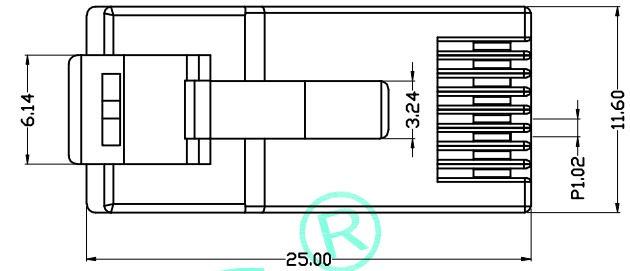
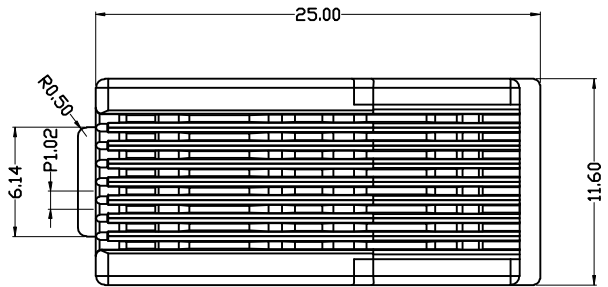
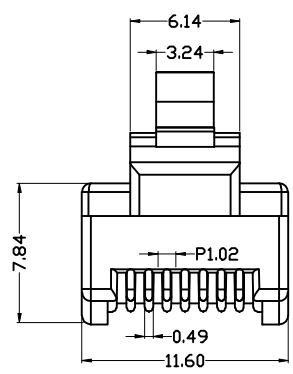


RoHS Compliant

REV. A/0	DESCRIPTION NEW	DESIGN CWF	DATE
-------------	--------------------	---------------	------



SPECIFICATION NOTES:

ELECTRICAL:

1. VOLTAGE RATING: 125 VAC RMS
2. CURRENT RATING: 2AMP
3. CONTACT RESISTANCE: 20mΩ MAX.
4. INSULATION RESISTANCE: 1000MΩ MIN. AT 500V DC.
5. DIELECTRIC STRENGTH: 1000 V AC OR 1500V DC RMS AT 0.5mA 50 Hz / 60 Hz FOR 1 MINUTE

MECHANICAL:

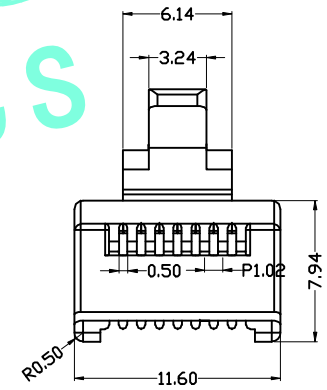
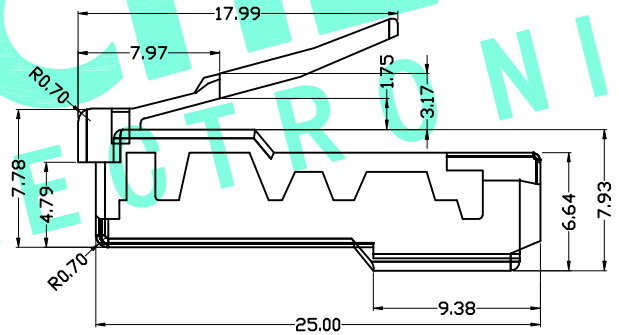
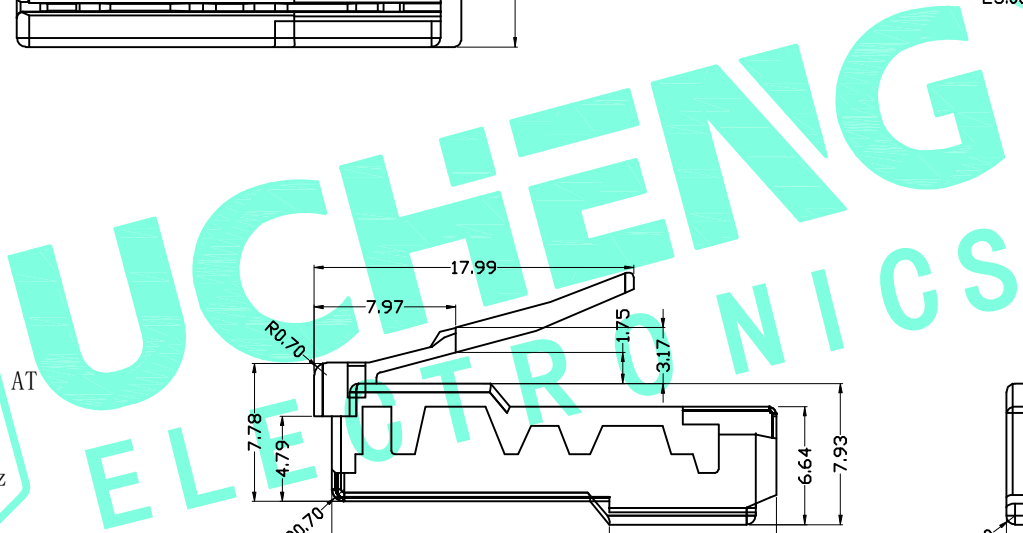
1. HOUSING :PC UL 94V-0
2. CONTACT MATERIAL:BRASS
3. PLATING:GOLD PLATING OVER NICKEL 1U"
4. OPERATING LIFE:1000 CYCLES MIN.
5. RETENTION STRENGTH:50N MIN. FOR 60S±5S
6. SALT SPRAY:24HOUR

ENVIRONMENTAL:

1. STORAGE:-40° C TO +85° C RELATIVE HUMIDITY<80%
2. GUARANTEE PERIOD:12 MONTHS
3. OPERATION: -40°C~+85°C

PACKING:

1. 100PCS/BOX
2. 1000PCS/CARTON



THESE DRAWINGS AND SPECIFICATIONS ARE THE PROPERTY OF SHENZHEN YUCHENG ELECTRONICS,LTD.AND SHALL NOT BE REPRODUCED,COPIED OR USED IN ANY MANNER WITHOUT THE PRIOR WRITTEN CONSENT OF SHENZHEN YUCHENG ELECTRONICS.,LTD		深圳市裕诚电子有限公司 SHENZHEN YUCHENG ELECTRONICS CO.,LTD	
GENERAL TOLERANCES		TITLE: RJ45 长金片双向对接水晶头26mm 8P8C	
.XXX ±0.10	.X' ±3'	PART NO:	RJ45-8P8CL22625
.XX ±0.20	.XX' ±2'	WEBSITE :	www.ycelectron.com
.X ±0.30		REV: A	UNIT: mm SCALE: / SHEET: A4
APPROVED:	WEI JIE		
CHECKED:	HONG JIN YUN		
DRAWING:	CHEN YA		
SHEET:	1 / 1		